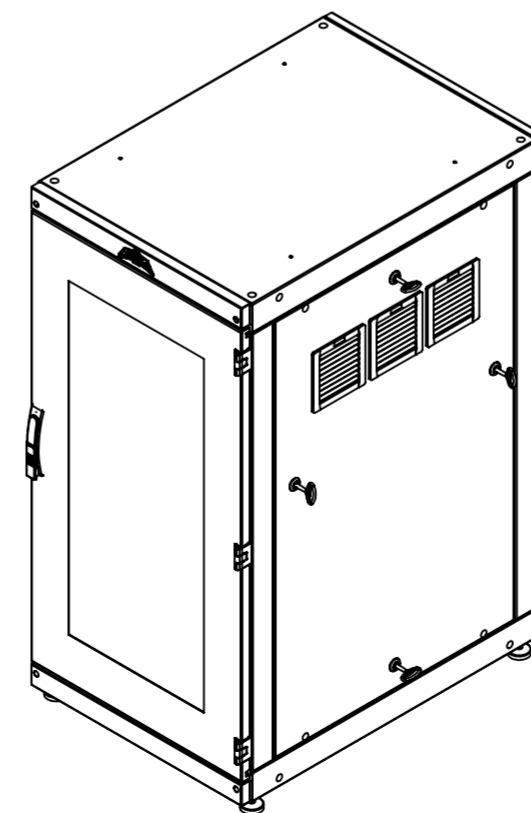
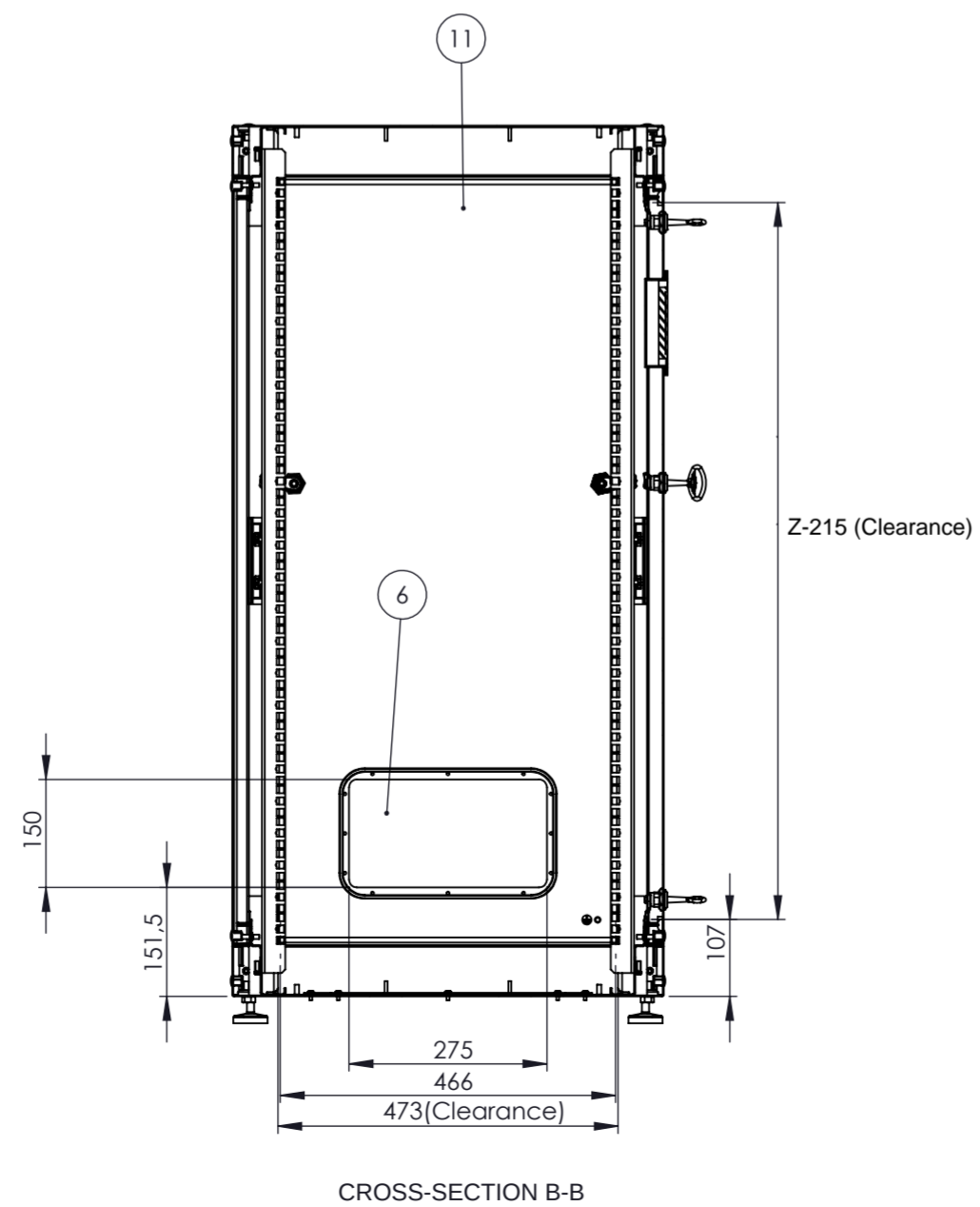
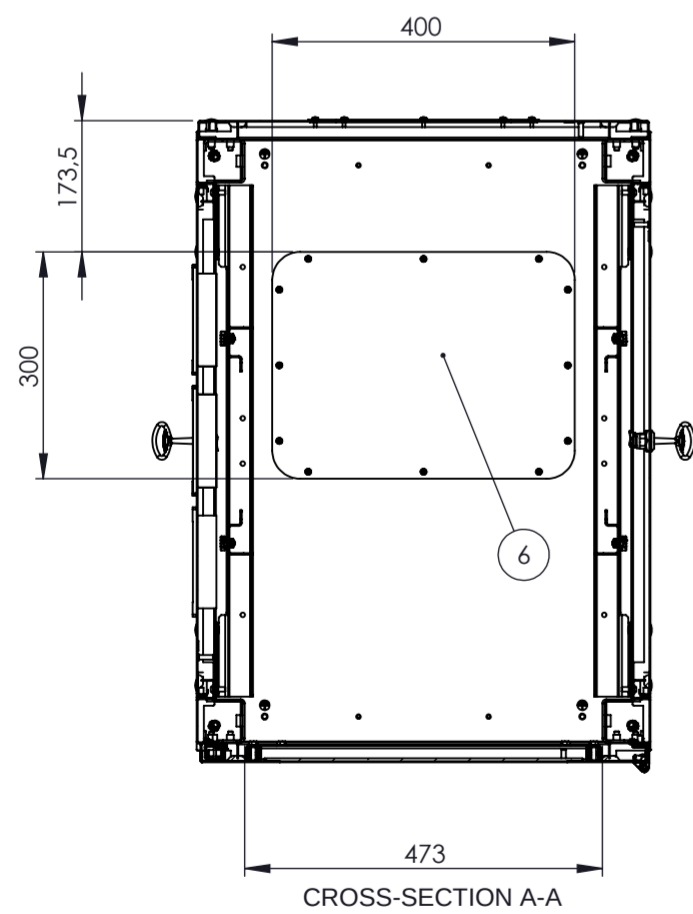
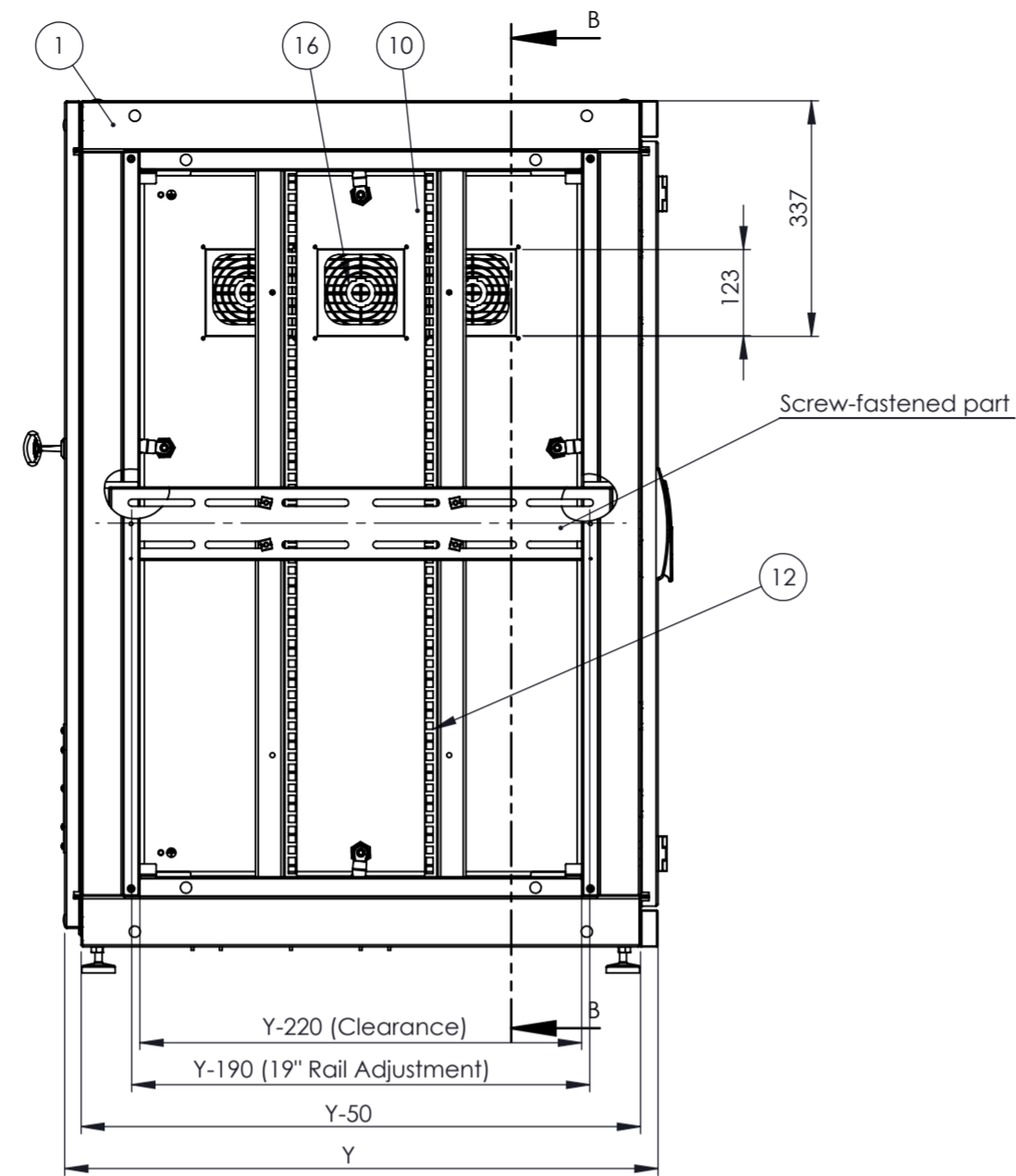
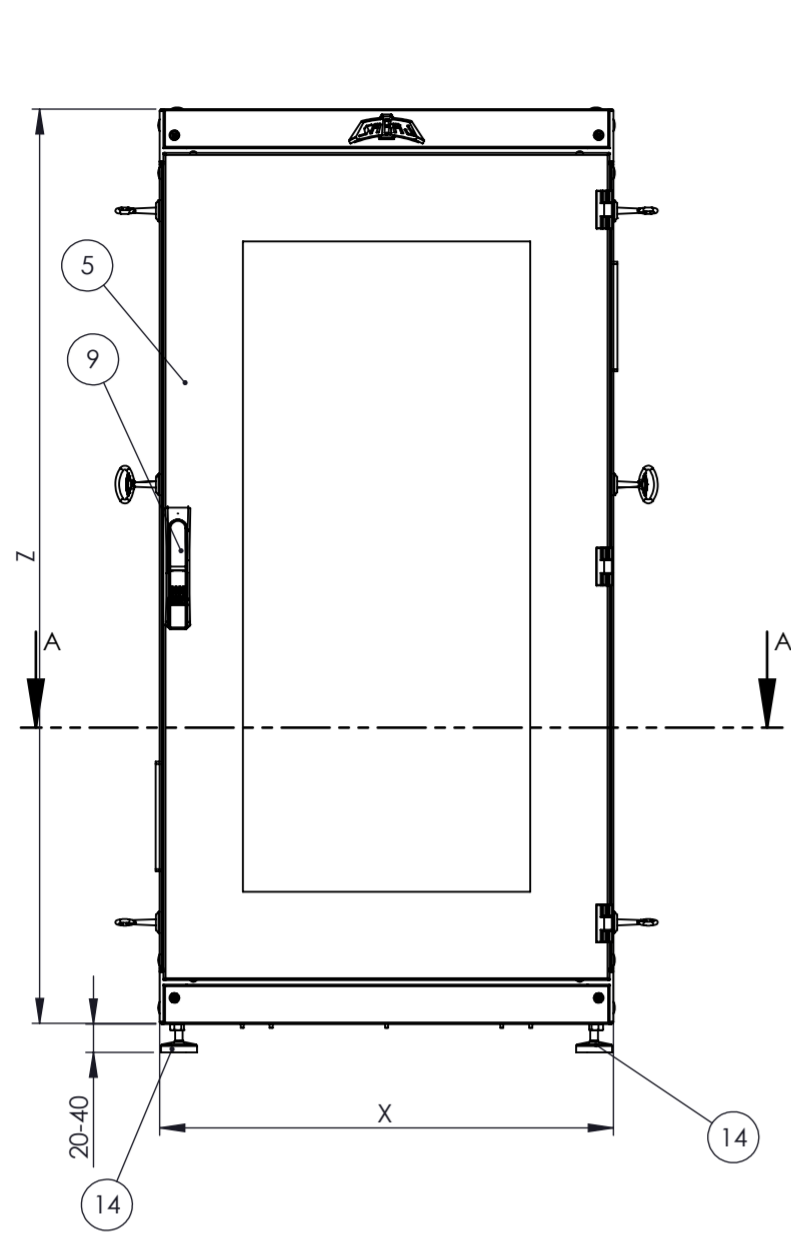
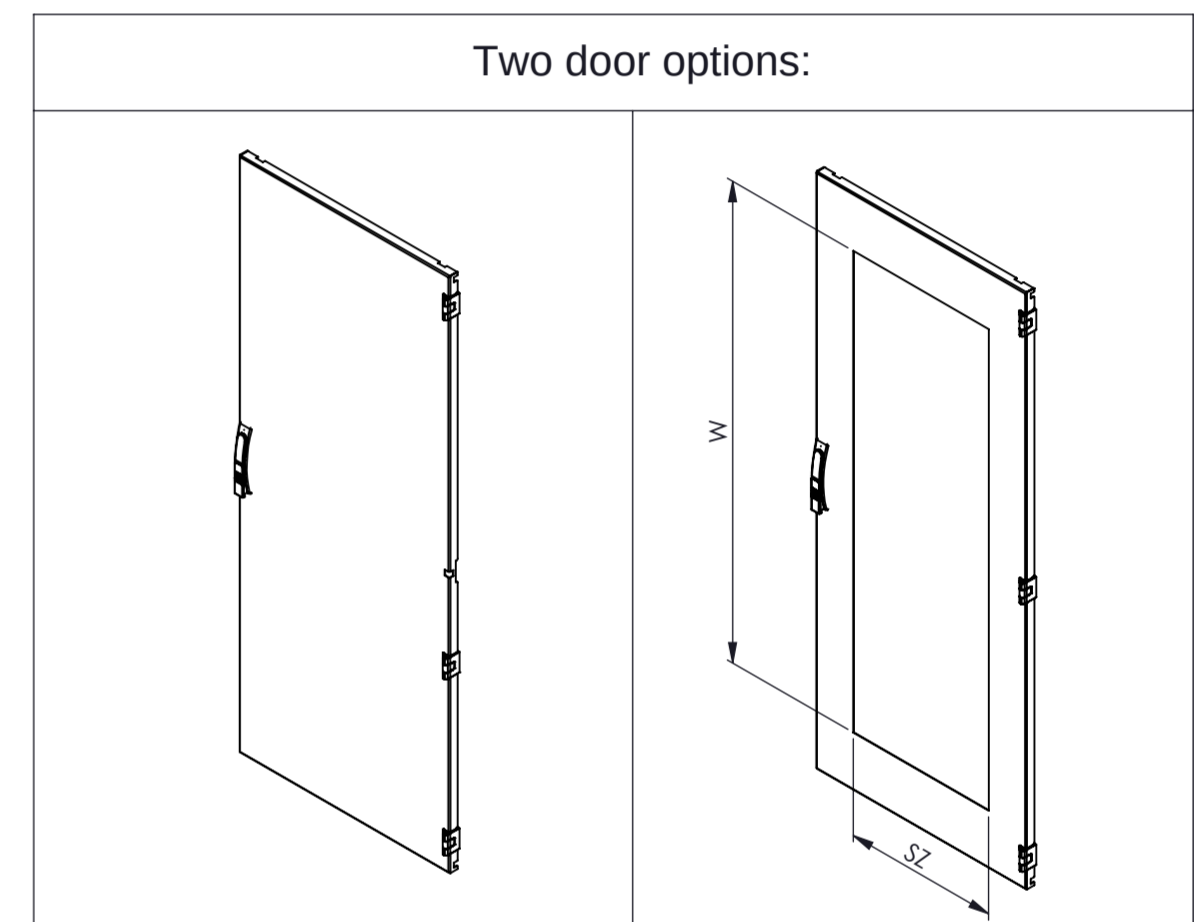


WR19 - Technical data sheet for 600 mm wide cabinets



1. Frame construction - assembled.
2. Protection rating IP54 (upgradable to IP65 if no ventilation grates are used).
3. Constructed from 1.5 mm thick DC01 sheet steel, reinforced with 3 mm sheet steel.
4. Dustproof enclosure designed for high-humidity environments.
5. Two door options available (solid or glass).
6. Cable entries in the bottom panel and rear cover, compatible with cable gland installation.
7. Cabinets of the same depth can be bayed (connected in a row); seals must be applied at the joints to maintain dust protection.
8. For 800 mm wide cabinets, mounting profiles are designed to accommodate 19" accessories.
9. Doors are secured with a 4-point espagnolette lock.
10. Side panels are secured with a profile key at 4 points and additionally fastened with screws.
11. Screw-on rear panel.
12. Rack rails are made of 2 mm thick galvanized steel.
13. Load capacity of 1500 kg (assuming an evenly distributed load).
14. Cabinet rests on leveling feet, which can be replaced with swivel castors (Part no. 19-0131: Swivel castors, or 19-0132: Swivel castors with brakes).
15. Cabinet is compatible with all standard 19" accessories.
16. Standard configuration includes ventilation grates on the side panels.
17. An air conditioning unit can be mounted on the sides or top of the cabinet.



X	Y	Z	Door type		Glass Dimensions	Height
			R=S	R=P		
X[mm]	Y[mm]	Z[mm]	Height (U)	Code	Width	Height
600	650	1210	24U	WR19-24U-66-DR-S	380	820
	850			WR19-24U-68-DR-S		
	1050			WR19-24U-610-DR-S		
	650	1566	32U	WR19-32U-66-DR-S		1170
	850			WR19-32U-68-DR-S		
	1050			WR19-32U-610-DR-S		
650	2010	42U	WR19-42U-66-DR-S	1620		
850			WR19-42U-68-DR-S			
1050			WR19-42U-610-DR-S			

WR19-NU-XY-DR-S

U-Height

X-Width
Y-Depth

Door type
DP-Full door
DS-Glass door