



PRODUCT CATALOGUE 2019

Enclosures - Industrial cabinets - 19" & 10" Racks - Multimedia racks



Sabaj-System

The Sabaj System company specializes in the production of complex energy security systems and transmission of electricity systems. Offered range of products and services includes: low voltage enclosures made of sheet steel and plastics, control systems and teletransmission, advanced laser cutting technologies and comprehensive services in the field of sheet metal processing.

The experience and modern production technology allow the company to fulfill custom orders tailored to the individual needs of the clients and untypical technical requirements. Modern production plant and laboratory facilities on the surface of nearly 14 000 m² guarantee the highest quality of offered services/products and provide effective technology implementation of even the most difficult orders.

A great asset of the plant is the sheet metal automatic storage warehouse and progressive automation of work stations (bending, cutting). The introduced MRP2 system enables efficient production management, resource planning and more effective strategic decision making. Sabaj system is able to solve many technical problems thanks to our tool workshop.

Thanks to the developed work system, the company offers numerous benefits for the client including punctuality of production, fast realization and the ability to make complex enclosures.

Sabaj-System is also a brand known abroad. Variety of the product are being constantly sold to partners in the US, Norway, Sweden, Austria, the Netherlands, Belgium, Lithuania, Ukraine, Russia and Malta. The foreign market is an excellent field for the company to promote not only the solutions themselves, but also the quality.





The products of our companies ensure wide application in the following sectors: electrotechnology, ICT, industrial and residential. Guaranty of high quality and reliability of products and services are certificates: BBJ - Association of Polish Electrical Engineers , ISO 9001: 2015 and UL.

Table of Contents



Electrotechnology

1.1 LV flush mounted enclosures, modular, type RP	6
1.2 LV flush mounted enclosures, modular, with unscrewable frame, type RP / R	8
1.3. Flush mounted enclosures, modular, type RPeko	10
1.4. Switchgears, concealed, modular, quick assembly, type RPsm	12
1.5. LV enclosures concealed, counter, type RL	14
1.6. LV enclosures, concealed, counter, with unscrewed frame, type RL / R	20
1.7. enclosures, wall mounted, modular, type NRP	22
1.8 LV enclosures, modular with increased IP, hermetic, type RH	25
1.9. Enclosures, wall mounted, modular, type NRPeko	26
1.10. Enclosures, wall mounted, modular, quick installation, type NRPsm	28
1.11 LV enclosures, wall mounted, for meters, type NRL	30
1.12 LV enclosures with increased IP, hermetic type RH	35
1.13 LV enclosures, type ALFA SYSTEM	37
1.14 LV enclosures, type GAMMA	41

Access doors

2.1 2.1 RD type acces doors	44
-----------------------------	----

Residential enclosures

3.1 LV enclosures with sheet steel door, type RPT	46
3.2 LV enclosures s with stainless steel doors, RPTN	48
3.3 LV enclosures, plastic, ALFA-MODULAR SYSTEM	49
3.4. Multimedia switchboards, Multi-Alpha type	50
3.5. Multimedia enclosures, FibeRPT	51
3.6. Multimedia enclosures, FttMAX	53

Accessories

4.1 LV enclosures accessories	135
-------------------------------	-----

Industrial cabinets

5.1. Industrial cabinet, type DELTA	57
5.2. The modular system X-MODUL HD	64
5.3. Industrial cabinet, type RH	72
5.4. Stainless steel Industrial cabinet, type RH SS	77
5.5. Industrial cabinet, type RH TWIST	79
5.6. Industrial cabinet, type NR	81

Industrial cabinets accessories

6.1 Locks and keys	138
6.2. Cable trays, steam condensate trap	141
6.3 Heaters, heating elements	142
6.4 Thermostats, vents, fan units	143
6.5 Connectors, plates	144
6.6 KU holders, markers	145
6.7 Chokes, cable glands	146
6.8 Lighting for cabinets, door opening sensor	147
6.9. Transport handles, earthing rails, pockets	148
6.10 TH rails, paint, mounting crossbars	149
6.11 Shelf for keyboard and mouse, screws, cage nuts	150
6.12. Drawer for keyboard and mouse	151

Freestanding Server cabinets 19"

7.1 Server cabinets - ACE	85
7.2 IP 54 Dustproof cabinet - WR	95
7.3 Server cabinet - Beta-Light	97
7.4 Freestanding open frames - Mono-Duo	99

Wall mounted cabinets 19"

8.1 SZW SIMPLE	102
8.2 SIDE-O	104
8.3 SIDE-O-D	107
8.4 SWK IP54	109
8.5 SWK-D IP54	111

Wall mounted cabinets 10"

9.1 SZW	113
---------	-----

Media Rack 19"

10.1 FH-FL	114
10.2 WM/WM9U	115

Other cabinets

11.1 OPC-1 - industrial enclosure for a computer	116
11.2 WR19-42U-CPU - 19" computer cabinet	121
11.3 ACE19-KOL - 19" collocation cabinet	123

Table of Contents

Accessories

12.1 Accessories 10"	152
12.2 Accessories 19"	156
12.3 Fiber optic accessories 19"	166
12.4 19" free standing cabinets accessories	171

Cabinet for heating distributors

13.1 Cabinet for NS distributors	127
13.2 Cabinet for NSM distributors	129
13.3 Cabinet for underfloor heating distributors SP	130
13.4 Cabinet for SPM underfloor heating distributors	132
13.5 SWS water meter cabinet	133

Cooling units

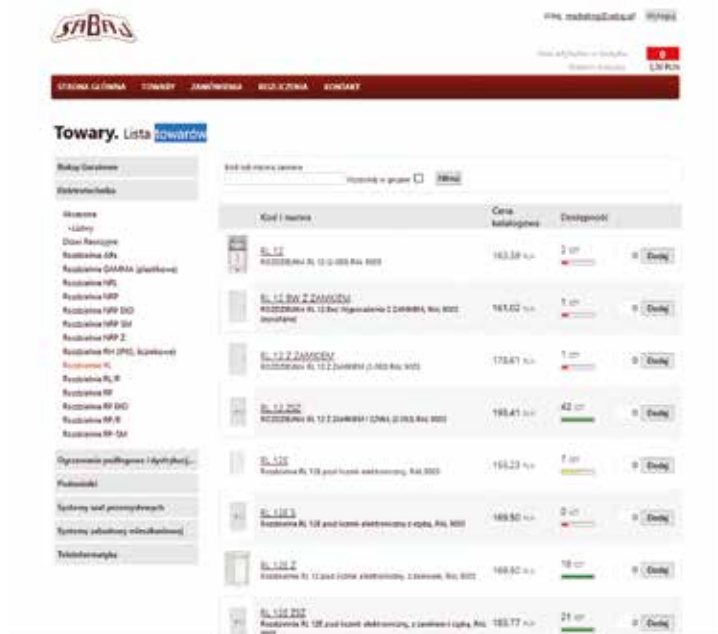
14.1 Indoor cooling units RS-KLM / RS-KLMD	177
14.2 Thermoelectric devices based on the thermoelectric cooling (TEC)	178

B2B

www.b2b.sabajgroup.com
convenient online sales system

What is a B2B system?

B2B is a convenient and fast way to order Sabaj products. The system allows You to check which products are available on stock and to check Your discounted prices.



How can I get my login and password?

To get your own login and password is contact the customer service department.

sales@sabaj.pl or +48 12 653 53 85



Why is it worth it?

The main advantages of the system are:

- information about availability of the products
- information about the net retail price and the discounted price
- quick placing an order
- access to leaflets, certificates, CAD libraries and declarations





Available colours: RAL 9003



Application:

Indoor low voltage enclosures for mounting modular devices.

Standard equipment:

TH 35 rail, terminal bars, insulator, set of screws and nuts, washer, yellow-green protective wire, stickers set, rectangular plastic plugs.

Technical characteristics:

Continuous Current Rating:	$I_n \leq 100A$
Nominal switching voltage:	$U_n = 400V$
Rated insulation voltage:	$U_i = 500V$
Protection class:	I
Protection rating:	IP31

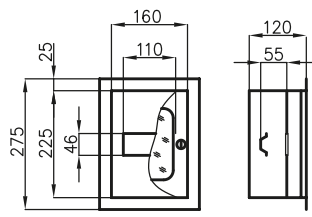
Assembly: flush mounted

Characteristics:

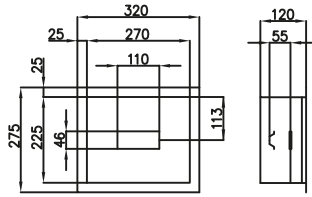
Steel sheet with a thickness of 0.8 mm, with a protective varnish coating - powder painted with RAL 9003.

Available versions:

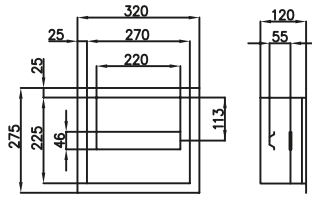




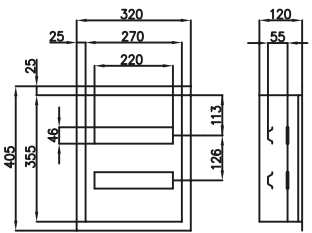
RP 6W



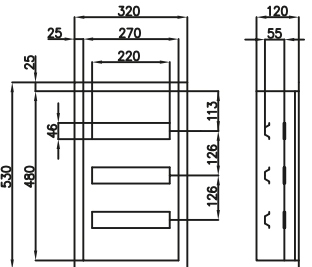
RP 6



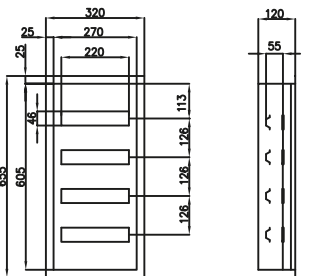
RP 12



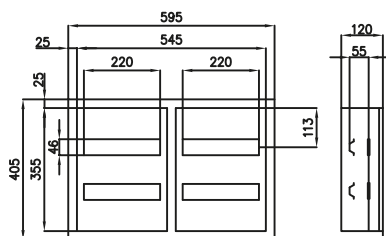
RP 24



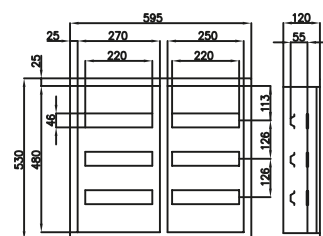
RP 36



RP 48B



RP 48A




RP 70

TYPE/CAT. NO.	Version			Number of modules	Internal dimensions of the frame			
	with latch	with lock	with glass		width	height	depth	
	Z		ZS					
	RP 3W	✓			3	160	225	120
	RP 3W Z		✓					
	RP 3	✓			3	270	225	120
	RP 3 Z		✓					
	RP 6W	✓			6	160	225	120
	RP 6W ZS	✓		✓				
	RP 6W Z		✓					
	RP 6W ZSZ		✓	✓				
	RP 6	✓			6	270	225	120
	RP 6 ZS	✓		✓				
	RP 6 Z		✓					
	RP 6 ZSZ		✓	✓				
	RP 12	✓			12	270	225	120
	RP 12 ZS	✓		✓				
	RP 12 Z		✓					
	RP 12 ZSZ		✓	✓				
	RP 24	✓			24	270	355	120
	RP 24 ZS	✓		✓				
	RP 24 Z		✓					
	RP 24 ZSZ		✓	✓				
	RP 24 BIS Z		✓		24	270	355	210
	RP 24 BIS ZSZ		✓	✓				
	RP 36	✓						
	RP 36 ZS	✓		✓	36	270	480	120
	RP 36 Z		✓					
	RP 36 ZSZ		✓	✓				
	RP 36 BIS	✓			36	270	480	210
	RP 36 BIS Z		✓					
	RP 48A	✓						
	RP 48A Z		✓		48	545	355	120
	RP 48B	✓						
	RP 48B Z		✓					
	RP 48B ZSZ		✓	✓	48	270	605	120
	RP 48B BIS Z		✓					
	RP 70	✓						
	RP 70 Z		✓		72	545	480	120
	RP 70 ZSZ		✓	✓				
	RP 70 BIS	✓						
	RP 70 BIS Z		✓		72	545	480	210
	RP 70 BIS Z		✓					

Product available on request



Available colours:  RAL 9003



Application:

Indoor low voltage enclosures for mounting modular devices.
Facilitated mounting thanks to convenient frame.

Standard equipment:

TH 35 rail, terminal bars, insulator, set of screws and nuts,
washer, yellow-green protective wire, stickers set, rectangular
plastic plugs.

Technical characteristics:

Continuous Current Rating:	$I_n \leq 100A$
Nominal switching voltage:	$U_n = 400V$
Rated insulation voltage:	$U_i = 500V$
Protection class:	I
Protection rating:	IP31

Assembly: flush mounted

Characteristics:

Steel sheet with a thickness of 0.8 mm, with a protective varnish
coating - powder painted with RAL 9003.


Available versions:

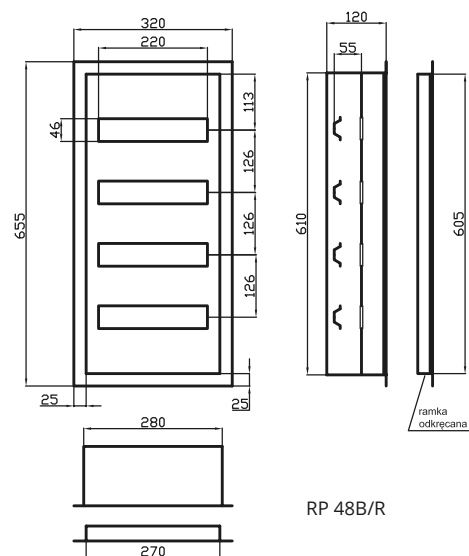
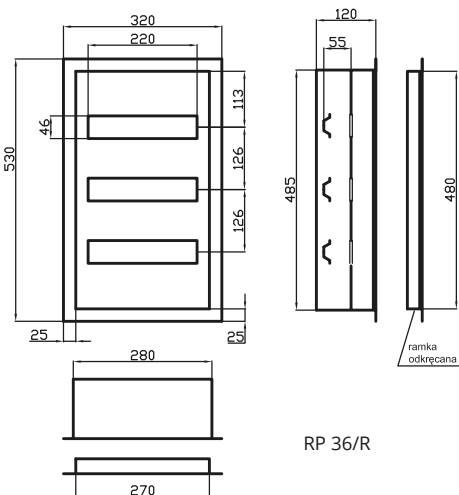
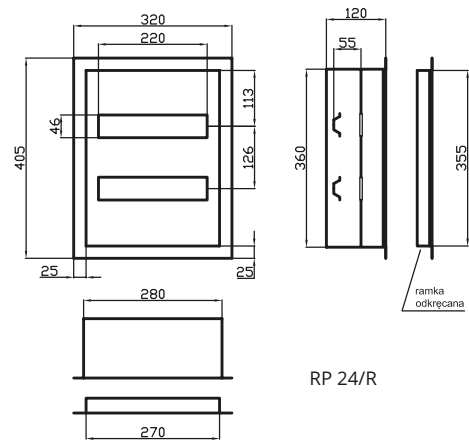
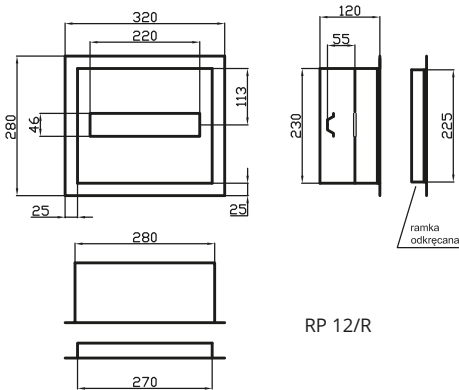


RP / R switchgears are made just like RP, except it has a screw-on type front frame. It can be mounted in a bay without a front frame, which can be screw on after making masonry work.



TYPE/ CAT. NO.	Version		Number of modules	Internal dimensions of the frame		
	with latch	with lock		width	height	depth
RP 12/R	✓	Z	12	270	225	120
RP 12/R Z		✓				
RP 24/R	✓		24	270	355	120
RP 24/R Z		✓				
RP 36/R	✓		36	270	480	120
RP 36/R Z		✓				
RP 48B/R	✓		48	270	605	120
RP 48B/R Z		✓				

 Product available on request





Available colours: RAL 9003



Application:

Indoor low voltage enclosures for mounting modular devices.

Aesthetic housing construction with snap fastening covers of devices, ensures maintaining small dimensions of the cabinet while leaving sufficient space for devices and wires.

Standard equipment:

TH 35 rail, terminal bars, insulator, set of screws and nuts, washer, yellow-green protective wire, stickers set, rectangular plastic plugs.

Technical characteristics:

Continuous Current Rating:	$I_n \leq 100A$
Nominal switching voltage:	$U_n = 400V$
Rated insulation voltage:	$U_i = 500V$
Rated impulse withstand voltage:	$U_{imp} = 4000V$
Protection class:	I
Protection rating:	IP31

Assembly: flush mounted

Characteristics:

Steel sheet with a thickness of 0.8 mm, with a protective varnish coating - powder painted with RAL 9003. Enclosures can be delivered only with a lock.

Available versions:



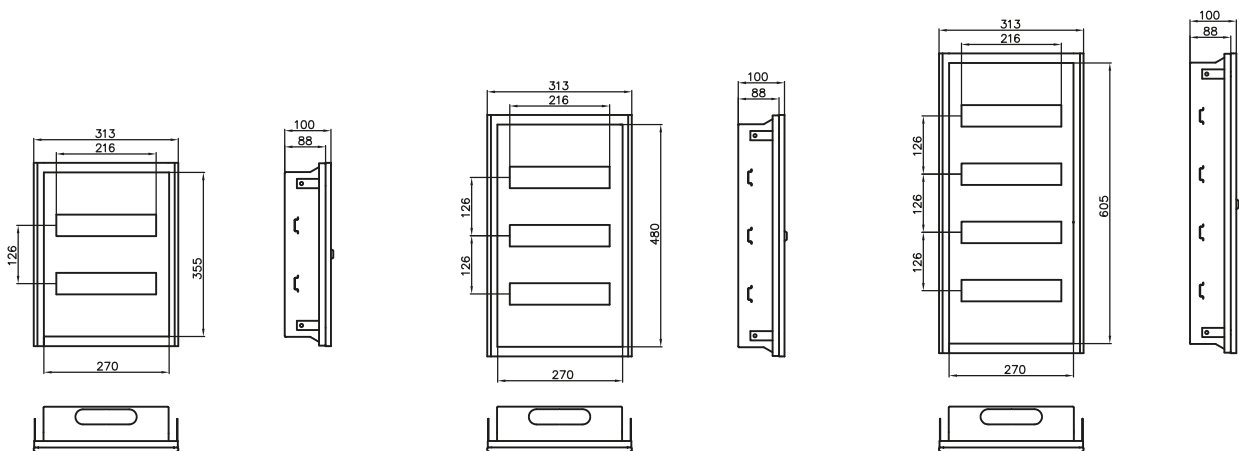
Why EKO?

- new design
- lower price
- white RAL 9003 structure
- housing with a depth of only 100mm



TYPE/CAT. NO.		Version		Number of modules	Internal dimensions of the frame		
		with lock	with glass		width	height	depth
		Z	ZS				
	RP-EKO 24 Z	✓		24	270	355	100
	RP-EKO 24 ZSZ	✓	✓				
	RP-EKO 36 Z	✓		36	270	480	100
	RP-EKO 36 ZSZ	✓	✓				
	RP-EKO 48 Z	✓		48	270	605	100
	RP-EKO 48 ZSZ	✓	✓				

Product available on request




RP EKO 24

RP EKO 36

RP EKO 48



Available colours:  RAL 9003



Application:

Indoor low voltage enclosures for mounting modular devices. The cabinet enable assembly nx24 or nx18 modules

Standard equipment:

TH 35 rail, terminal bars, insulator, set of screws and nuts, washer, yellow-green protective wire, stickers set, rectangular plastic plugs.

Technical characteristics:

Continuous Current Rating:	$I_n \leq 100A$
Nominal switching voltage:	$U_n = 400V$
Rated insulation voltage:	$U_i = 500V$
Protection class:	I
Protection rating:	IP31

Mounting method: wall mounting

(also in the plasterboard wall)

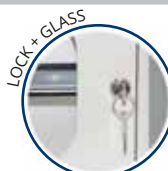
Characteristics:

Steel sheet with a thickness of 1 mm, with a protective varnish coating - powder painted with RAL 9003.

Body and a frame of the enclosure are made of 1mm galvanized steel.

Versatile door mounting (can be mounted on left/right side)

Available versions:

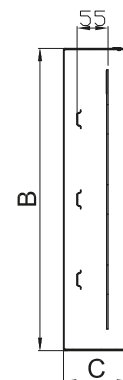
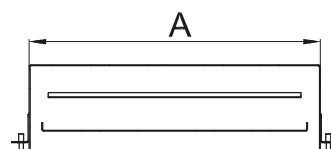
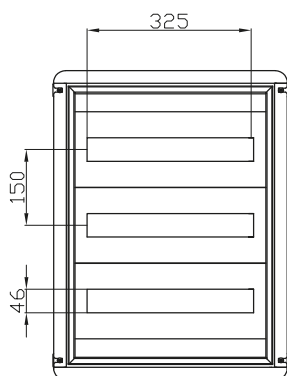


Why "quick assembly"?

Thanks to the unique design, it simplifies the work of the installer. Assembly of the devices and the lacing is done on the exposed mounting plate, and only after connecting the wires, a frontal part (housing) is installed on it.



TYPE/CAT. NO.	Version	Number of modules	Internal dimensions of the frame		
	with lock		width	height	depth
	Z		A	B	C
N X 18S					
RPSM 36 (2X18) Z	✔	36	415	415	127
RPSM 54 (3X18) Z	✔	54	415	565	127
RPSM 72 (4X18) Z	✔	72	415	715	127
RPSM 90 (5X18) Z	✔	90	415	865	127
RPSM 108 (6X18) Z	✔	108	415	1015	127
RPSM 126 (7X18) Z	✔	126	415	1165	127
N X 24S					
RPSM 72 (3X24) Z	✔	72	525	565	127
RPSM 96 (4X24) Z	✔	96	525	715	127
RPSM 120 (5X24) Z	✔	120	525	865	127
RPSM 144 (6X24) Z	✔	144	525	1015	127





Available colours: RAL 9003



Application:

Indoor low voltage enclosures, intended for installation double & triple meters.

Standard equipment:

Meter panelboard, TH 35 rail, terminal bars, insulator, set of screws and nuts, yellow-green protective wire, stickers set, rectangular plastic plugs.

Technical characteristics:

Continuous Current Rating:	$I_n \leq 100A$
Nominal switching voltage:	$U_n = 400V$
Rated insulation voltage:	$U_i = 500V$
Protection class:	I
Protection rating:	IP31

Assembly: flush mounted

Characteristics:

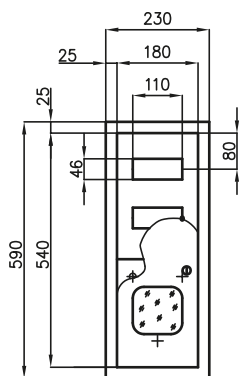
Steel sheet with a thickness of 0.8 mm, with a protective varnish coating - powder painted with RAL 9003. Cabinets are delivered with an additional cover for pre-meter protection, sealed.

Available versions:

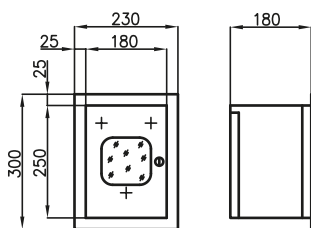


SINGLE METER ENCLOSURES

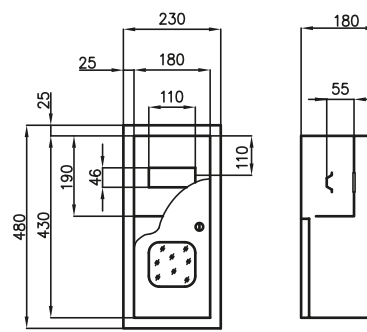
TYPE/CAT. NO.	Version			Number of modules	Internal dimensions of the frame			Type of meter	
	with latch	with lock	with glass		width	height	depth		
		Z	ZS						
RL 1F	✓			NONE	180	250	180	1F	
RL 1F Z		✓							
RL 1F ZSZ		✓	✓						
RL 1F 6	✓			6	180	430	180	1F	
RL 1F 6 ZS	✓		✓						
RL 1F 6 Z		✓							
RL 1F 6 ZSZ		✓	✓						
For electric meter	RL 1F 6E	✓		6	180	430	120	1F	
	RL 1F 6E ZS	✓							
	RL 1F 6E Z		✓						
	RL 1F 6E ZSZ		✓						✓
For electric meter	RL 1F 7E	✓		7	180	430	120	1F	
	RL 1F 7E Z		✓						
	RL 1F 7E ZS	✓							✓
	RL 1F 7E ZSZ		✓						✓
For electric meter	RL 1F 12	✓		12	180	540	180	1F	
	RL 1F 12 ZS	✓							✓
	RL 1F 12 Z		✓						
	RL 1F 12 ZSZ		✓						✓
For electric meter	RL 1F 12E	✓		12	180	540	120	1F	
	RL 1F 12E ZS	✓							✓
	RL 1F 12E Z		✓						
	RL 1F 12E ZSZ		✓						✓



RL 1F 12
(with glass and lock)



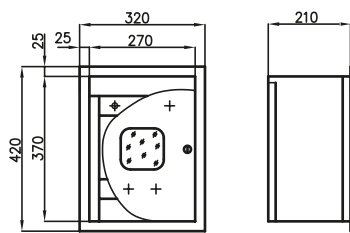
RL 1F
(with glass and lock)



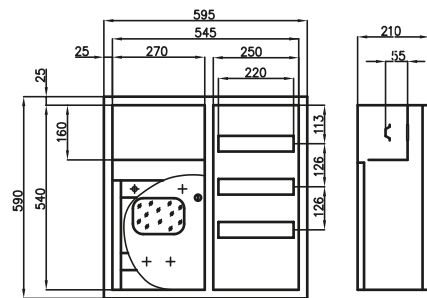
RL 1F 6
(with glass and lock)

TRIPLE METER ENCLOSURES

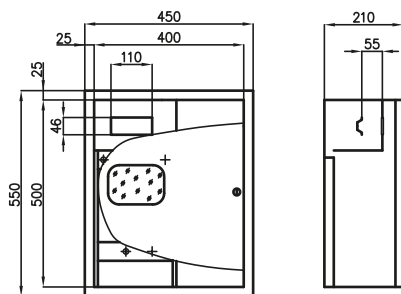
TYPE/CAT. NO.	Version			Number of modules	Internal dimensions of the frame			Type of meter
	with latch	with lock	with glass		width	height	depth	
		Z	ZS					
RL 3F	✓			NONE	270	370	210	3F
RL 3F ZS	✓		✓					
RL 3F Z		✓						
RL 3F ZSZ		✓	✓					
RL 12	✓			12	270	540	210	3F
RL 12 ZS	✓		✓					
RL 12 Z		✓						
RL 12 ZSZ		✓	✓					
RL 12E	✓			12	270	540	120	3F
RL 12E ZS	✓		✓					
RL 12E Z		✓						
RL 12E ZSZ		✓	✓					
RL 24	✓			24	400	500	210	3F
RL 24 ZS	✓		✓					
RL 24 Z		✓						
RL 24 ZSZ		✓	✓					
RL 36	✓			36	545	540	210	3F
RL 36 Z		✓						
RL 36 ZSZ		✓	✓					
RL 48	✓			48	545	540	210	3F
RL 48 ZS	✓		✓					
RL 48 Z		✓						
RL 48 ZSZ		✓	✓					



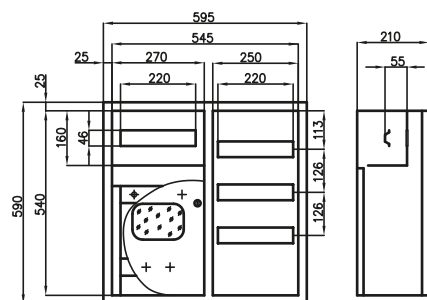
RL 3F
(with glass and lock)



RL 36
(with glass and lock)



RL 24
(with glass and lock)



RL 48
(with glass and lock)

TRIPLE METER ENCLOSURES



RL 3F



RL 3F ZSZ



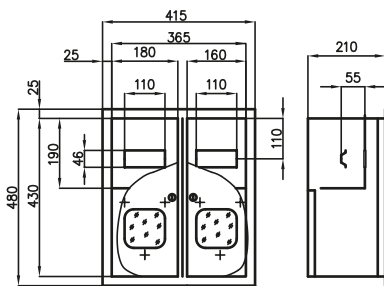
RL 24 ZSZ



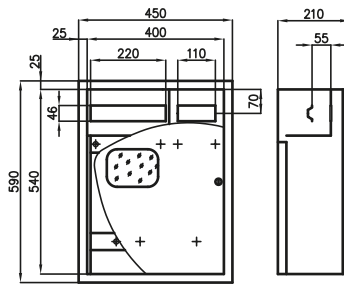
RL 12E ZSZ

MULTIPLE METERS ENCLOSURES

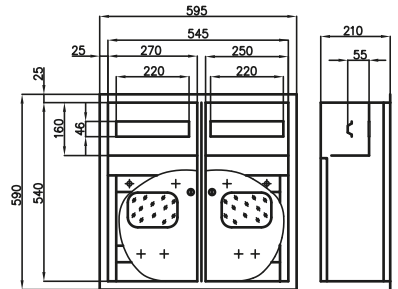
TYPE/CAT. NO.	Version			Number of v modules	Type of meter	Internal dimensions of the frame		
	with latch	with lock	with glass			width	height	depth
		Z	ZS					
RL 2L 1F 12	✓			6	2 x 1F	365	430	210
RL 2L 1F 12 Z		✓		12	2 x 1F	365	430	210
RL 2L 1F 12 ZSZ		✓	✓					
RL 2L 18	✓			18	1F, 3F	400	540	210
RL 2L 18 Z		✓						
RL 2L 18 ZSZ		✓	✓					
RL 2L 24	✓			24	2 x 3F	545	540	210
RL 2L 24 ZS	✓		✓					
RL 2L 24 Z		✓						
RL 2L 24 ZSZ		✓	✓					



RL 2L 1F 12
(with glass and lock)



RL 2L 18
(with glass and lock)



RL 2L 24
(with glass and lock)

MULTIPLE METERS ENCLOSURES



RL 2L 24 ZSZ




RL 2L 18 ZSZ



RL 2L 1F12



Available colours:  RAL 9003



Application:

Indoor low voltage enclosures, intended for installation double & triple meters.

Standard equipment:

Meter panelboard, TH 35 rail, terminal bars, insulator, set of screws and nuts, yellow-green protective wire, stickers set, rectangular plastic plugs.

Technical characteristics:

Continuous Current Rating:	$I_n \leq 100A$
Nominal switching voltage:	$U_n = 400V$
Rated insulation voltage:	$U_i = 500V$
Protection class:	I
Protection rating:	IP31

Assembly: flush mounted

Characteristics:

Steel sheet with a thickness of 0.8 mm, with a protective varnish coating - powder painted with RAL 9003. Cabinets are delivered with an additional cover for pre-meter protection, sealed.

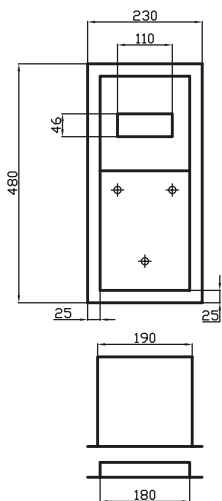
Available versions:



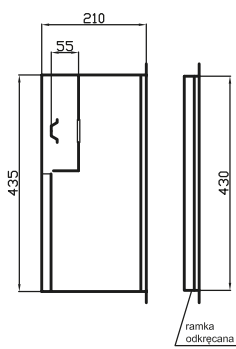
RL / R switchgears are made just like RL, except for unscrewed front frame. It can be mounted in a bay without a front frame, which is screwed after masonry work is done.



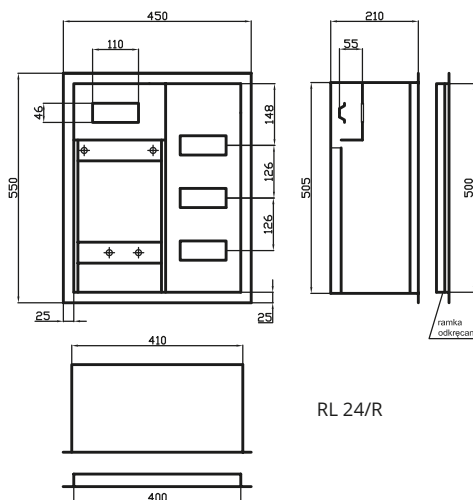
TYPE/CAT. NO.	Version			Number of modules	Type of meter	Internal dimensions of the frame		
	with latch	with lock	with glass			width	height	depth
RL 1F 6/R	✓	Z	ZS	6	1F	180	430	210
RL 1F 6/R Z		✓						
RL 1F 6/R ZSZ		✓	✓					
RL 12/R	✓			12	3F	270	540	210
RL 12/R Z		✓						
RL 12/R ZSZ		✓	✓					
RL 24/R	✓			24	3F	400	500	210
RL 24/R Z		✓						
RL 24/R ZSZ		✓	✓					



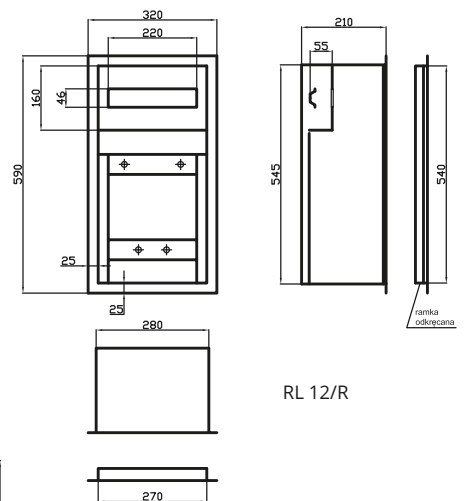
RL 1F6/R




RL 12/R



RL 24/R





Available colours:  RAL 9003



Application:

Indoor LV enclosures designed for installation of modular devices.

Standard equipment:

TH 35 rail, terminal bars, insulator, set of screws and nuts, washer, yellow-green protective wire, stickers set, rectangular plastic plugs.

Technical characteristics:

Continuous Current Rating:	$I_n \leq 100A$
Nominal switching voltage:	$U_n = 400V$
Rated insulation voltage:	$U_i = 500V$
Protection class:	I
Protection rating:	IP31

Assembly: wall mounted

Characteristics:

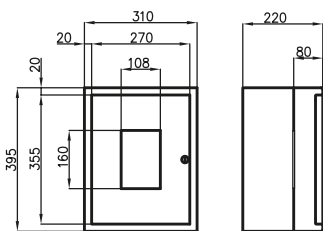
Steel sheet with a thickness of 0.8 mm, with a protective varnish coating - powder painted with RAL 9003.

Available versions:

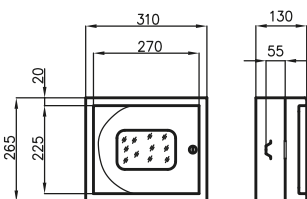


TYPE/CAT. NO.	Version			Number of modules	Dimensions(mm)		
	with latch	with lock	with glass		width	height	depth
		Z	ZS				
NRP RBK ZSZ		✓	✓	NONE	310	395	220
NRP RBK Z		✓					
NRP RBK 9081		✓					
NRP 3	✓			3	310	265	130
NRP 3 Z		✓					
NRP 6	✓			6	310	265	130
NRP 6 Z		✓					
NRP 6 ZSZ		✓	✓				
NRP 12	✓			12	310	265	130
NRP 12 ZS	✓		✓				
NRP 12 Z		✓					
NRP 12 ZSZ		✓	✓				
NRP 24	✓			24	310	395	130
NRP 24 Z		✓					
NRP 24 BIS	✓			24	310	395	220
NRP 24 BIS Z		✓					
NRP 36	✓			36	310	520	130
NRP 36 Z		✓					
NRP 36 ZSZ		✓	✓				
NRP 36 BIS	✓			36	310	520	220
NRP 36 BIS Z		✓					
NRP 48A Z		✓		48	620	395	130
NRP 48B	✓						
NRP 48B Z		✓		48	310	645	130
NRP 70	✓						
NRP 70 Z		✓		72	620	520	130
NRP 70 BIS	✓						
NRP 70 BIS Z		✓		72	620	580	220
NRP 70 BIS Z		✓					

Product available on request



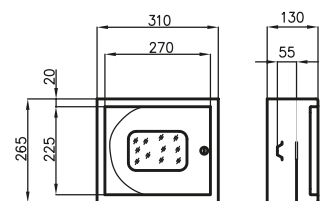
NRP RBK
(with breakable glass and a lock)



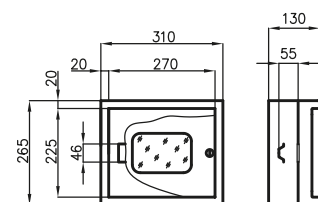
NRP 6
(with glass and lock)



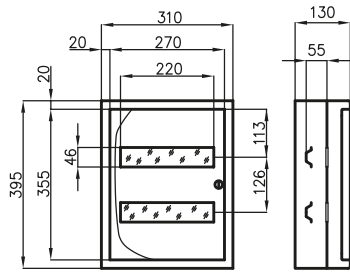
NRP RBK ZSZ
(with glass and lock)



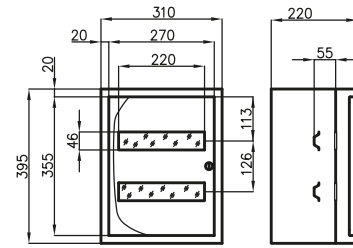
NRP 3
(with glass and lock)



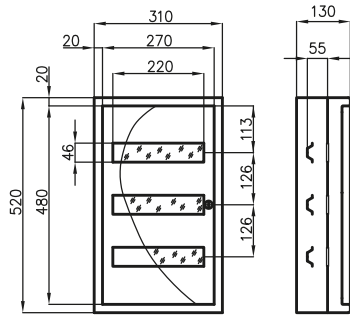
NRP 12
(with glass and lock)



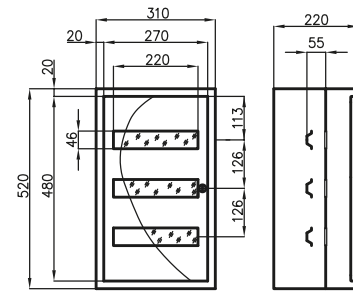
NRP 24
(with glass and lock)



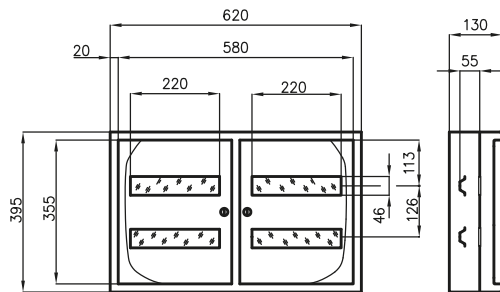
NRP 24 BIS
(with glass and lock)



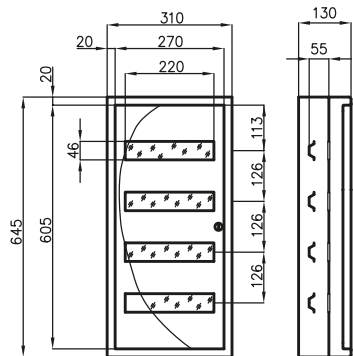
NRP 36
(with glass and lock)



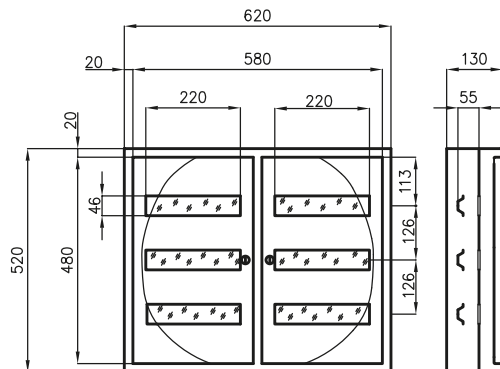
NRP 36 BIS
(with glass and lock)



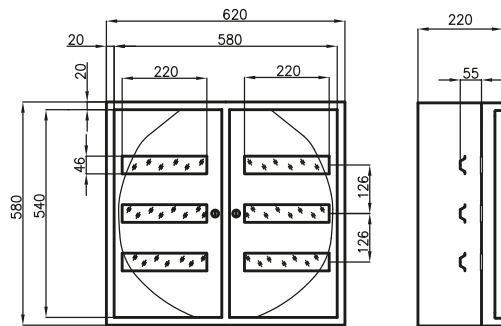
NRP 48A
(with glass and lock)



NRP 48B
(with glass and lock)







NRP 70
(with glass and lock)



NRP 70 BIS
(with glass and lock)






 Available colours:  RAL 7035

TYPE/CAT. NO.	Number of modules	Dimensions (mm)			Type of doors
		width	height	depth	
		A	B	C	
RH 12 DP	1X12	300	200	150	full
RH 24 DP	2X12	320	400	150	full
RH 36 DP	3X12		520		full
RH 72 DP	6X12	600	600	210	full
RH 72 DS	6X12		glass		
RH 120 DP	10X12	600	900	210	full
RH 120 DS	10X12				glass
RH 168 DP	7X24	600	1200	300	full

Technical characteristics:

Continuous Current Rating: $I_n \leq 100A$
 Nominal switching voltage: $U_n = 400V$
 Rated insulation voltage: $U_i = 500V$
 Protection class: I
 Protection rating: IP65

Assembly: universal mounting

Characteristics:

Steel sheet with a thickness of 1-1,5 mm, with a protective varnish coating - powder painted with RAL 7035.
 Possibility of mounting doors on left or right side.

Application:

Indoor low voltage enclosures with increased protection for mounting modular devices.
 The cabinet enable assembly nx24 or nx18 modules

Standard equipment:

Key and lock IP55, mounting plate, set of screws and nuts, washer, yellow-green protective wire, stickers set, round plastic plugs.



Available colours: RAL 9003



Application:

Indoor low voltage enclosures for mounting modular devices.

Aesthetic housing construction with snap fastening covers of devices, ensures maintaining small dimensions of the cabinet while leaving sufficient space for devices and wires.

Standard equipment:

TH 35 rail, terminal bars, insulator, set of screws and nuts, washer, yellow-green protective wire, stickers set, rectangular plastic plugs.

Technical characteristics:

Continuous Current Rating:	$I_n \leq 100A$
Nominal switching voltage:	$U_n = 400V$
Rated insulation voltage:	$U_i = 500V$
Rated impulse withstand voltage:	$U_{imp} = 4000V$
Protection class:	I
Protection rating:	IP31

Assembly: wall mounted

Characteristics:

Steel sheet with a thickness of 0,8 mm, with a protective varnish coating - powder painted with RAL 9003. Enclosures are delivered only with a lock.

Available versions:



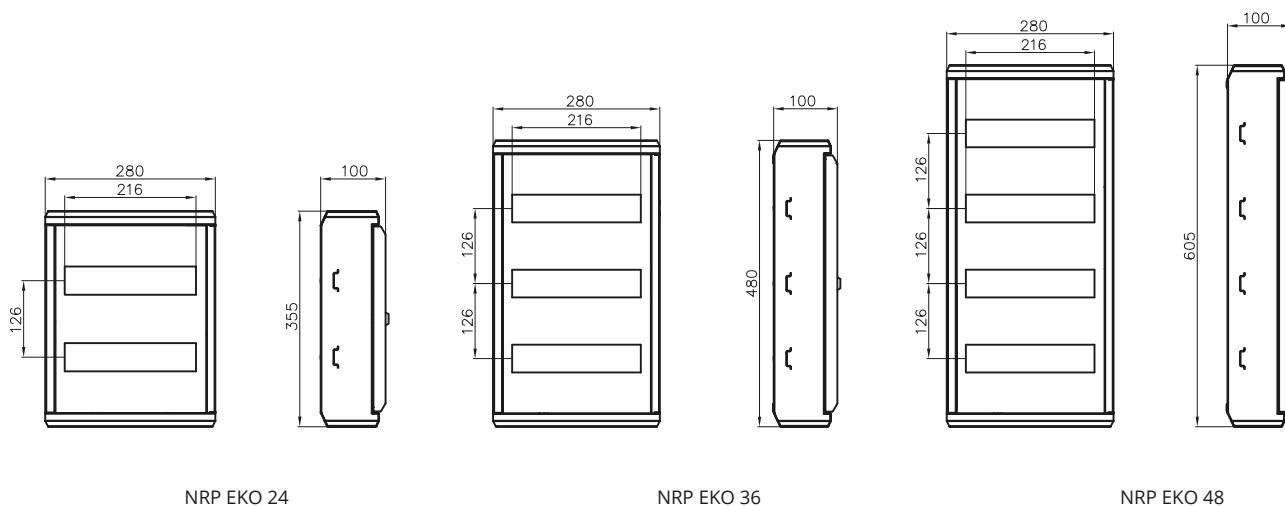
Why EKO?

- new design
- lower price
- white RAL 9003 structure
- housing with a depth of only 100mm




TYPE/CAT. NO.		Version		Number of modules	Dimensions (mm)		
		with lock	with glass		width	height	depth
☰	NRP-EKO 24 Z	☑		24	280	355	100
	NRP-EKO 24 ZSZ	☑	☑				
☰	NRP-EKO 36 Z	☑		36	280	480	100
	NRP-EKO 36 ZSZ	☑	☑				
☰	NRP-EKO 48 Z	☑		48	280	605	100
	NRP-EKO 48 ZSZ	☑	☑				

☰ Product available on request





Available colours:  RAL 9003



Application:

Indoor low voltage enclosures for mounting modular devices.

Aesthetic housing construction with snap fastening covers of devices, ensures maintaining small dimensions of the cabinet while leaving sufficient space for devices and wires.

Standard equipment:

TH 35 rail, terminal bars, insulator, set of screws and nuts, washer, yellow-green protective wire, stickers set, rectangular plastic plugs.

Technical characteristics:

Continuous Current Rating:	$I_n \leq 100A$
Nominal switching voltage:	$U_n = 400V$
Rated insulation voltage:	$U_i = 500V$
Protection class:	I
Protection rating:	IP31

Assembly: wall mounted

Characteristics:

Steel sheet with a thickness of 1 mm, with a protective varnish coating - powder painted with RAL 9003.

Body and a frame are made of 1mm galvanized steel.

Possibility of mounting doors on left or right side.

Available versions:

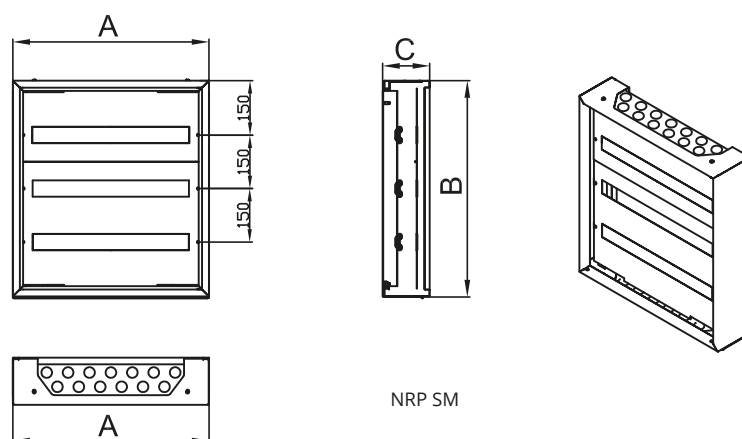


Why "quick assembly"?

Thanks to the unique design, it simplifies the work of the installer. Assembly of the devices and the lacing is done on the exposed mounting plate, and only after connecting the wires, a frontal part (housing) is installed on it.



TYPE/CAT. NO.	Version	Number of modules	Dimensions (mm)		
	with lock		width	height	depth
	Z		A	B	C
N X 18S					
NRPSM 18 (1X18) Z	✓	18	440	305	132
NRPSM 36 (2X18) Z	✓	36	440	445	132
NRPSM 54 (3X18) Z	✓	54	440	605	132
NRPSM 72 (4X18) Z	✓	72	440	755	132
NRPSM 90 (5X18) Z	✓	90	440	905	132
NRPSM 108 (6X18) Z	✓	108	440	1055	132
NRPSM 126 (7X18) Z	✓	126	440	1205	132
N X 24S					
NRPSM 72 (3X24) Z	✓	72	550	605	132
NRPSM 96 (4X24) Z	✓	96	550	755	132
NRPSM 120 (5X24) Z	✓	120	550	905	132
NRPSM 144 (6X24) Z	✓	144	550	1055	132
NRPSM 168 (7X24) Z	✓	168	550	1205	132





Available colours: RAL 9003



Application:

Indoor low voltage enclosures, intended for installation double & triple meters.

Standard equipment:

Meter panelboard, TH 35 rail, terminal bars, insulator, set of screws and nuts, yellow-green protective wire, stickers set, rectangular plastic plugs.

Technical characteristics:

Continuous Current Rating:	$I_n \leq 100A$
Nominal switching voltage:	$U_n = 400V$
Rated insulation voltage:	$U_i = 500V$
Protection class:	I
Protection rating:	IP31

Assembly: wall mounted



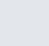
Characteristics:


Steel sheet with a thickness of 0,8 mm, with a protective varnish coating - powder painted with RAL 9003. Cabinets have an additional cover for pre-meter protection, sealed.

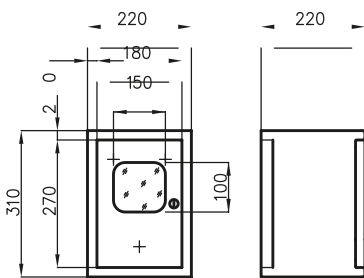
Available versions:



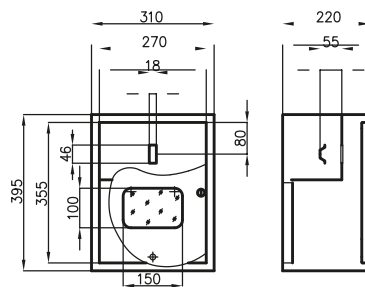
SINGLE METER ENCLOSURES

TYPE/CAT. NO.	Version			Number of modules	Internal dimensions of the frame			Type of meter	
	with latch	with lock	with glass		width	height	depth		
	NRL 1F	☑	Z	ZS	NONE	220	310	220	1F
	NRL 1F Z		☑						
	NRL 1F ZSZ		☑	☑					
	NRL 1F 1	☑							
	NRL 1F 1 Z		☑		1	310	395	220	1F
	NRL 1F 1 ZSZ		☑	☑					
	NRL 1F 3	☑			3	310	395	220	1F
	NRL 1F 3 ZSZ		☑	☑					
for electric meter	NRL 1F 6	☑			6	310	395	220	1F
	NRL 1F 6 ZS	☑		☑					
	NRL 1F 6 Z		☑						
	NRL 1F 6 ZSZ		☑	☑					
	NRL 1F 6W	☑			6	220	430	220	1F
	NRL 1F 6W ZS	☑		☑					
	NRL 1F 6W Z		☑						
	NRL 1F 6W ZSZ		☑	☑					
	NRL 1F 6WE	☑			6	220	430	130	1F
	NRL 1F 6WE ZS	☑		☑					
	NRL 1F 6WE Z		☑						
	NRL 1F 6WE ZSZ		☑	☑					
NRL 1F 7 WE	☑			7	220	430	130	1F	
NRL 1F 7 WE Z		☑							
NRL 1F 7 WE ZS	☑		☑						
NRL 1F 7 WE ZSZ		☑	☑						
NRL 1F 12	☑			12	310	395	220	1F	
NRL 1F 12 ZS	☑		☑						
NRL 1F 12 Z		☑							
NRL 1F 12 ZSZ		☑	☑						

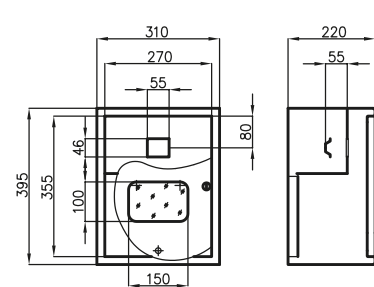
 Product available on request



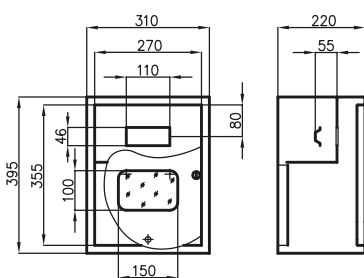
NRL 1F
(with glass and lock)



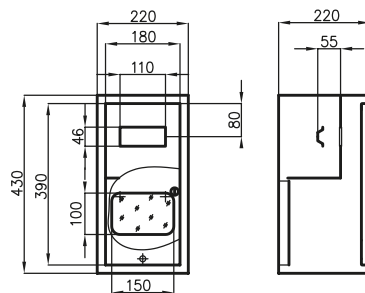
NRL 1F 1
(with glass and lock)



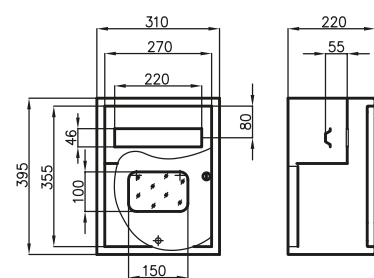
NRL 1F 3
(with glass and lock)



NRL 1F 6
(with glass and lock)



NRL 1F 6W
(with glass and lock)



NRL 1F 12
(with glass and lock)

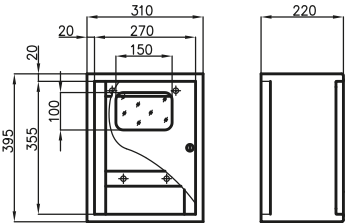
TRIPLE METER ENCLOSURES

TYPE/CAT. NO.		Version			Number of modules	Dimensions(mm)			Type of meter
		with latch	with lock	with glass		width	height	depth	
			Z	ZS					
for electric meter	NRL 3F	✓			0	310	395	220	3F
	NRL 3F ZS	✓		✓					
	NRL 3F Z		✓						
	NRL 3F ZSZ		✓	✓					
	NRL 12	✓			12	310	580	220	3F
	NRL 12 ZS	✓		✓					
	NRL 12 Z		✓						
	NRL 12 ZSZ		✓	✓					
	NRL 12E	✓			12	310	580	130	3F
	NRL 12E ZS	✓		✓					
	NRL 12E Z		✓						
	NRL 12E ZSZ		✓	✓					
☐☐☐	NRL 18	✓			18	490	580	220	3F
	NRL 18 Z		✓						
	NRL 24	✓			24	490	580	220	3F
	NRL 24 ZS	✓		✓					
	NRL 24 Z		✓						
	NRL 24 ZSZ		✓	✓					
☐☐☐ NRL 24 BIS ZSZ		✓	✓	24	620	395	220	3F	
☐☐☐	NRL 30	✓			30	490	580	220	3F
	NRL 30 ZS	✓		✓					
	NRL 30 Z		✓						
	NRL 30 ZSZ		✓	✓					
☐☐☐	NRL 36	✓			36	620	580	220	3F
	NRL 36 Z		✓						
	NRL 36 ZSZ		✓	✓					
	NRL 48	✓			48	620	580	220	3F
	NRL 48 ZS	✓		✓					
NRL 48 Z		✓							
NRL 48 ZSZ		✓	✓						

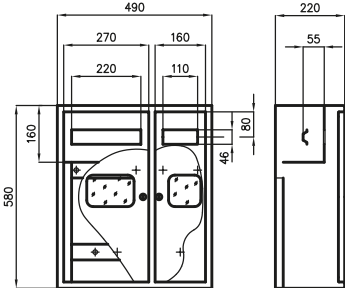


Product available on request

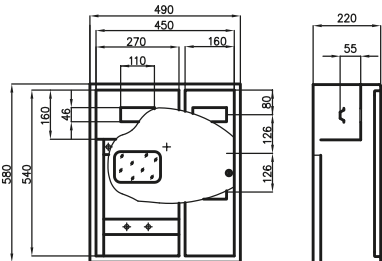
TRIPLE METER ENCLOSURES



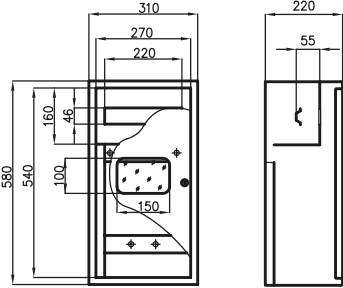
NRL 3F
(with glass and lock)



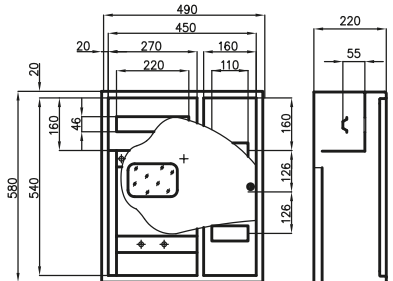
NRL 18
(with glass and lock)



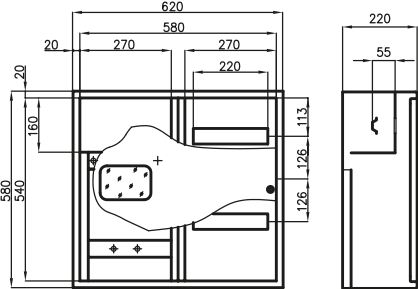
NRL 24
(with glass and lock)



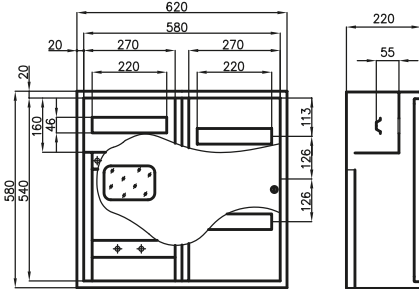
NRL 12
(with glass and lock)



NRL 30
(with glass and lock)




NRL 36
(with glass and lock)



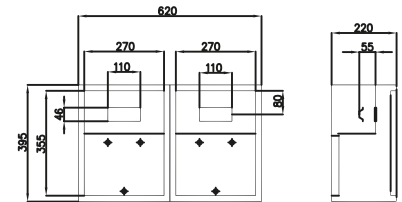
NRL 48
(with glass and lock)

MULTIPLE METER ENCLOSURES

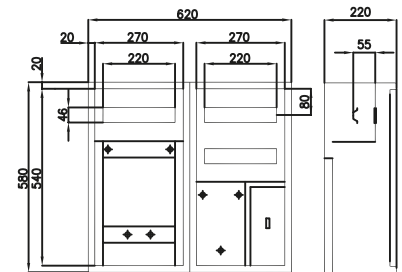
TYPE/CAT. NO.	Version			Number of modules	Type of meter	Internal dimensions of the frame			
	with latch	with lock	with glass			width	height	depth	
	NRL 2L 1F 12 ZSZ		Z <input checked="" type="checkbox"/>	ZS <input checked="" type="checkbox"/>	12	2 x 1F	620	395	220
	NRL 2L 24	<input checked="" type="checkbox"/>			24	2 x 3F	620	580	220
	NRL 2L 24 ZS	<input checked="" type="checkbox"/>		<input checked="" type="checkbox"/>					
	NRL 2L 24 Z		<input checked="" type="checkbox"/>						
	NRL 2L 24 ZSZ		<input checked="" type="checkbox"/>	<input checked="" type="checkbox"/>					
	NRL 2L 36	<input checked="" type="checkbox"/>			36	3F, 1F	620	580	220
	NRL 2L 36 ZS	<input checked="" type="checkbox"/>		<input checked="" type="checkbox"/>					
	NRL 2L 36 Z		<input checked="" type="checkbox"/>						
NRL 2L 36 ZSZ		<input checked="" type="checkbox"/>	<input checked="" type="checkbox"/>						



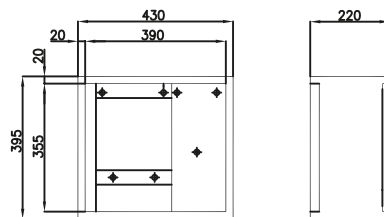
NRL 2L 24 ZSZ



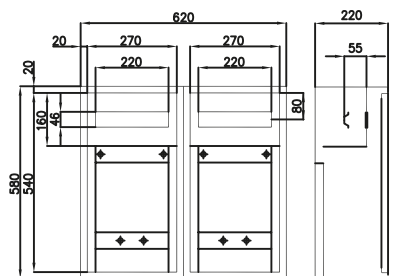
NRL 2L 1F 12
(with glass and lock)



NRL 2L 36
(with glass and lock)




NRL 3F 1F
(with glass and lock)



NRL 2L 24
(with glass and lock)



Available colours:  RAL 7035



Application:

Indoor LV enclosures designed for installation of both modular devices and single and triple meters.

Standard equipment:

Lock and key IP55, meter panelboard, TH 35 rail, washer, set of screws and nuts, yellow-green protective wire, stickers set, round plastic plugs.

Technical characteristics:

Continuous Current Rating:	$I_n \leq 100A$
Nominal switching voltage:	$U_n = 400V$
Rated insulation voltage:	$U_i = 500V$
Protection class:	I
Protection rating:	IP65

Assembly: universal mounting

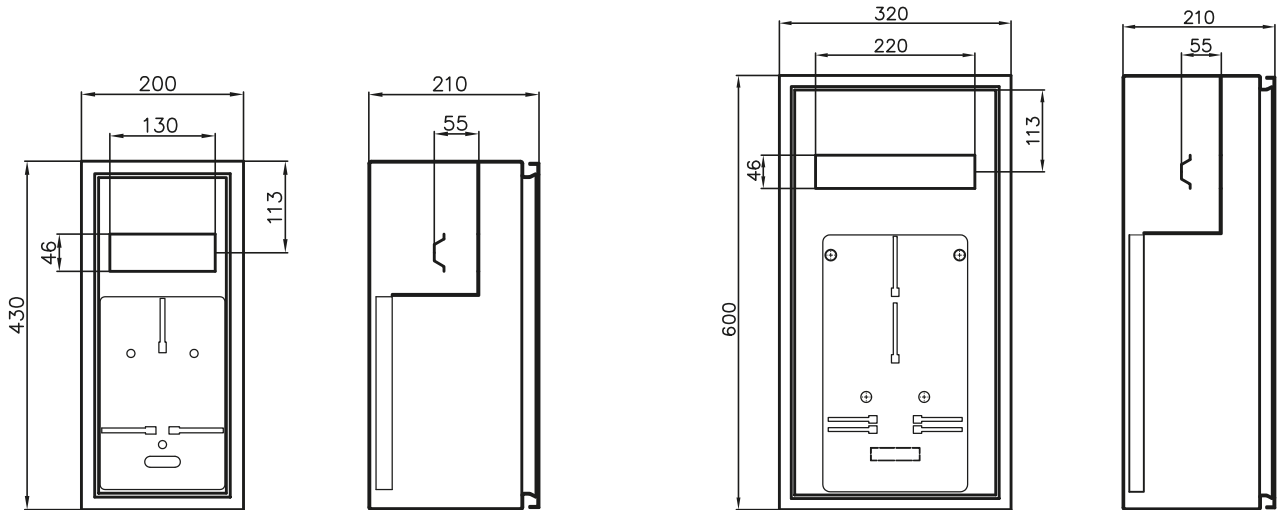
Characteristics:

Steel sheet with a thickness 1-1,5 mm, with a protective varnish coating - powder painted with RAL 7035.
Possibility of mounting doors on left or right side.

Available versions:

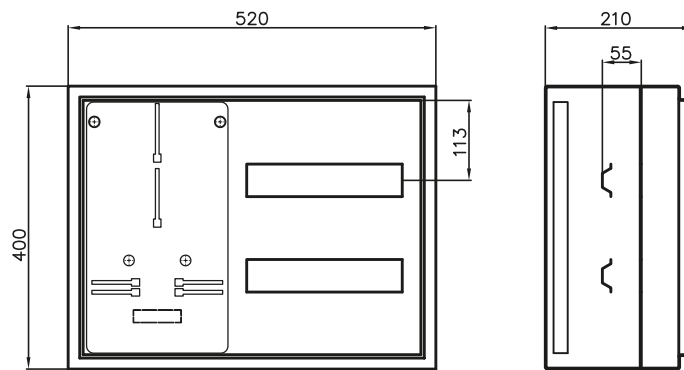


TYPE/CAT. NO.	Version	Number of modules	Type of meter	Internal dimensions of the frame		
	with lock			width	height	depth
	Z					
RH 1F 6		6	1F	200	430	210
RH 1F 6 Z	✓					
RH 3F 12 Z	✓	12	3F	320	600	210
RH 3F 24 Z	✓	24	3F	520	400	210



RH 1F 6

RH 3F 12



RH 3F 24



Application:

The construction of ALFA enclosures enables installation of residual-current devices, circuit breakers and any modular devices adapted for mounting on TH 35 DIN rails.

Technical characteristics:

Continuous Current Rating:	$I_n \leq 100A$
Nominal switching voltage:	$U_n = 400V$
Rated insulation voltage:	$U_i = 500V$
Rated impulse withstand voltage:	$U_{imp} = 4000V$
Protection class:	II

Assembly: universal mounting

Material:

ALFA low voltage electrical enclosures are made of high quality non-combustible modified plastic.

ALFA 2Z

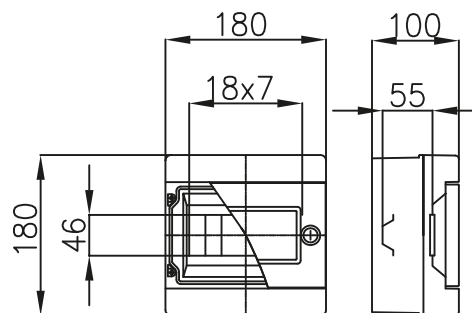
ALFA 2Z enclosures are designed for wall or "half-hole" installation to the depth of the devices compartment.

Technical characteristics:

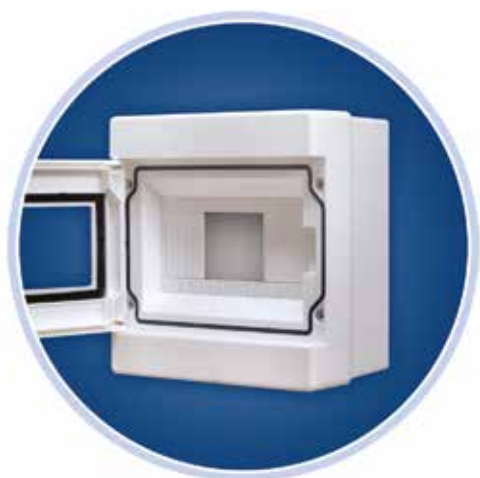
Rated insulation voltage: **Ui = 500V**

Protection class: **II**

Colour: **white**



ALFA 2Z



ALFA 7S

Standard equipment:

TH 35 rail, protective terminal bars - 2 pcs

Catalog No. : 5-405



ALFA 2Z/2P+L

Standard equipment:

2 buttons: ST-22-WC-11 and FT22-Kz-10, light FT22-LSC-220

Article number: 5-410

TYPE	Colour	Equipment	Lock	Glass	Dimensions(mm)			Number of modules
					width	height	depth	
ALFA 7S	white	TH 35 rail	✓	✓	180	180	100	7
ALFA 2Z/2P+L		control panel 2 buttons + light ST-22-WC-11, FT22-Kz-10, FT22-Lsc-220	✓	✓				X

ALFA 3Z

ALFA 3Z enclosures are designed for wall or "half-hole" installation to the depth of the devices compartment.

Technical characteristics:

Rated insulation voltage:

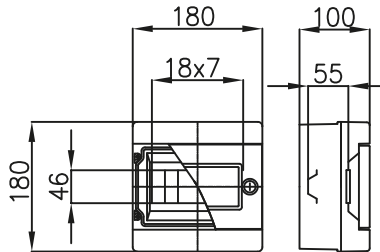
Ui = 500V

Protection class:

II

Colour:

red



ALFA 3Z



ALFA 3 Z red
(fire protection switch)

Cat. no.: 5-406



ALFA 3Z/P red
(fire protection switch)



ALFA 3Z/R1 red
(fire protection switch)



ALFA 3Z/R2 red
(fire protection switch)

Standard equipment:

SP-22-WC-11 button

1 make contact

1 break contact

Article number: 5-411

Standard equipment:

FR 303-100A disconnecter

Article number: 5-412

Standard equipment:

KUE 340 disconnecter

Article number: 5-413

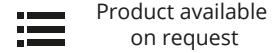
TYPE	Colour	Equipment	Lock	Dimensions(mm)			Number of modules
				width	height	depth	
ALFA 3Z	red	TH 35 rail	Z	180	180	100	X
ALFA 3Z/P		fire protection switch with button FT22-Kc-01	✓				
ALFA 3Z/R1		fire protection switch with disconnecter FR103-100A	✓				
ALFA 3Z/R2		fire protection switch with disconnecter KUE 340	✓				

ALFA S

ALFA S enclosures are designed for wall or "half-hole" installation to the depth of the devices compartment.

Technical characteristics:

Rated insulation voltage: **Ui = 500V**
 Protection rating: **IP30**
 Protection class: **II**
 Colour: white **white**



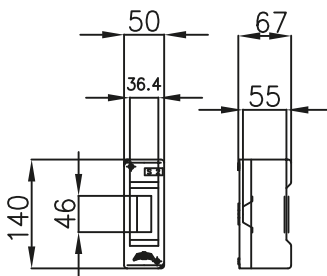
Alfa 2S



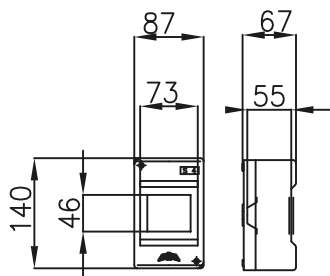
Alfa 4S



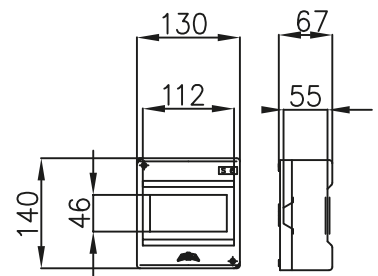
Alfa 6S



Article number: 5-409



Article number: 5-408



Article number: 5-407

TYPE	Colour	Dimentions(mm)			Number of modules
		width	height	depth	
ALFA 2S	white	50	140	67	2
ALFA 4S		87			4
ALFA 6S		130			6



Product available on request



WALL MOUNTED



II PROTECTION CLASS



Application:

Indoor LV enclosures can be used for the distribution of electricity, to control electrical devices, and to control the production process.

Standard equipment:

TH 35 rail, terminal bars.

Technical characteristics:

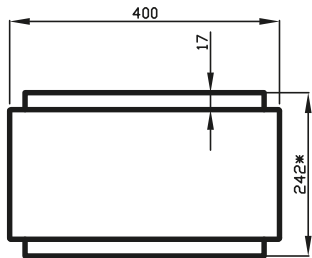
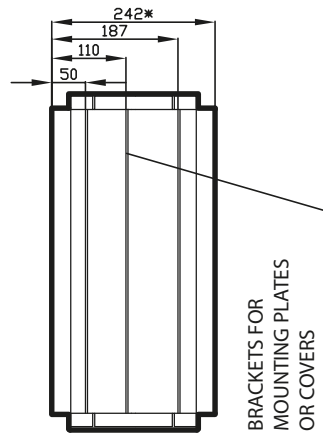
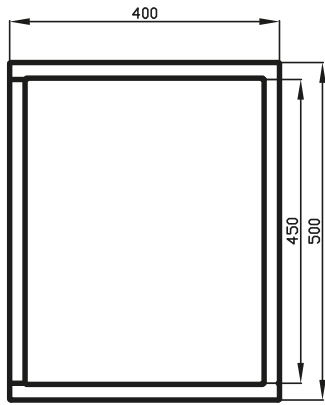
Continuous Current Rating:	Un = 400V
Rated insulation voltage:	Ui = 500V
Protection class:	II
Protection degree:	IP44

Assembly: wall mounted

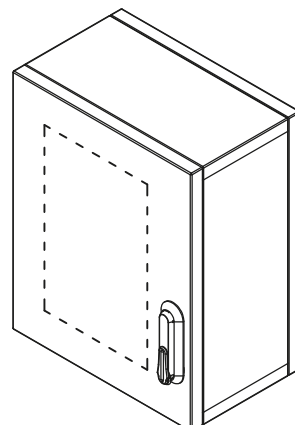
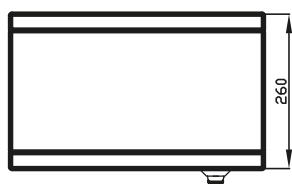
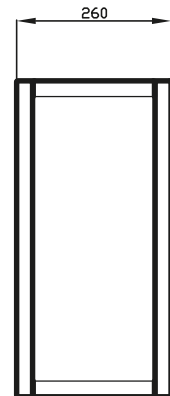
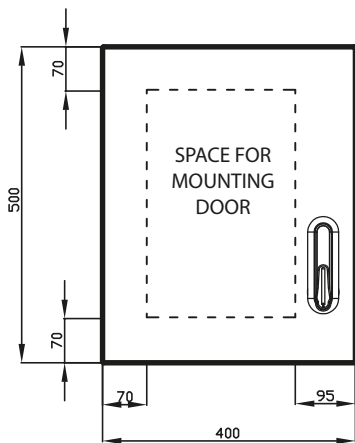
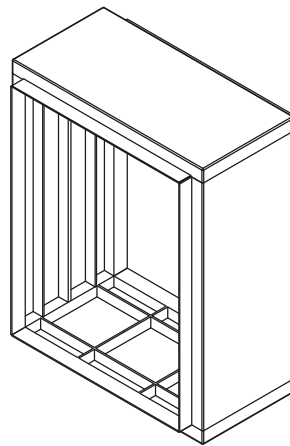
Material:

The enclosures are made of thermoplastic material in injection molding process.

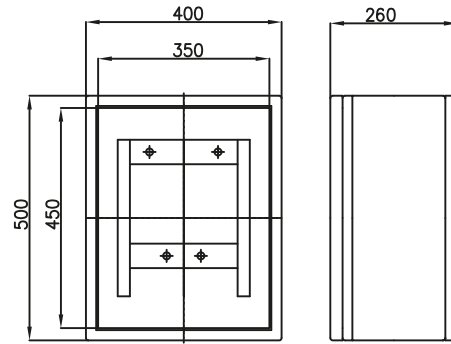
GAMMA - DIMENSIONS



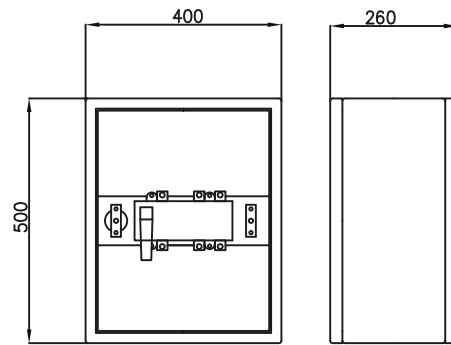
TOTAL DEPTH (WITH DOOR) IS 260 MM



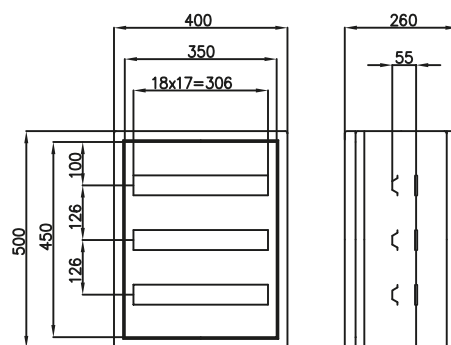
TYPE/CAT. NO.	Interior equipment	Doors equipment				Dimentions(mm)		
		full doors	big acces doors	small access doors + eye-hole	eye-hole	width	wheigh	depth
			RD	RMW	W			
GAMMA O	empty cabinet without lock	✓				400	500	260
			✓					
				✓	✓			
GAMMA OZ	empty cabinet with lock	✓				400	500	260
			✓					
				✓	✓			
iii	GAMMA 3FL	TL3F	✓			400	500	260
	GAMMA WG 250	RA-250	✓					
	GAMMA WG 400	RA-400	✓					
	GAMMA 3X17	3x17 modules	✓					



GAMMA 3FL



GAMMA WG RA 250



GAMMA 3 x 17



Standard colour:

○ RAL 9003

Application:

Access doors are widely used for mounting in all kinds of niches of any purpose. Allows easy access to inspection holes, which needs to be checked frequently. Wide range of sizes and colors will satisfy the most demanding customers.

Characteristics:

Doors made of steel sheet with a protective varnish coating - powder painted with RAL 9003.

Closing method:

- with a lock
- with a latch

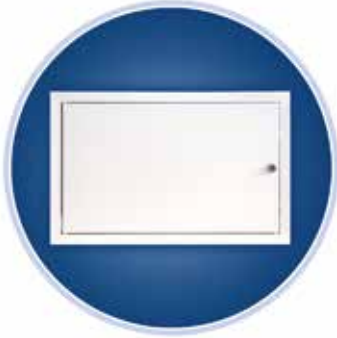
Available versions:



RD doors are available on request only.



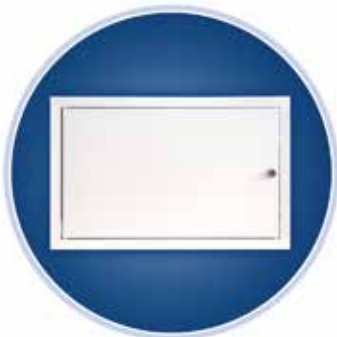
Available versions



Painted steel sheet
RAL 9003



Grinded stainless steel



Painted stainless steel
RAL 9003

TYPE/CAT. NO.	Version		Internal dimensions of the frame		
	with latch	with lock	width	height	depth
		Z			
RD - 1515	✓		150	150	25
RD - 1515 Z		✓			
RD - 1520	✓		150	200	25
RD - 1520 Z		✓			
RD - 2020	✓		200	200	25
RD - 2020 Z		✓			
RD - 2025	✓		200	250	25
RD - 2025 Z		✓			
RD - 2030	✓		200	300	25
RD - 2030 Z		✓			
RD - 2035	✓		200	350	25
RD - 2035 Z		✓			
RD - 2040	✓		200	400	25
RD - 2040 Z		✓			
RD - 2525	✓		250	250	25
RD - 2525 Z		✓			
RD - 2535	✓		250	350	25
RD - 2535 Z		✓			
RD - 2540	✓		250	400	25
RD - 2540 Z		✓			
RD - 3020	✓		300	200	25
RD - 3020 Z		✓			
RD - 3030	✓		300	300	25
RD - 3030 Z		✓			
RD - 3040	✓		300	400	30
RD - 3040 Z		✓			
RD - 3050	✓		300	500	30
RD - 3050 Z		✓			
RD - 3060	✓		300	600	30
RD - 3060 Z		✓			
RD - 3535	✓		350	350	30
RD - 3535 Z		✓			
RD - 4020	✓		400	200	30
RD - 4020 Z		✓			
RD - 4525	✓		450	250	30
RD - 4525 Z		✓			
RD - 4030	✓		400	300	30
RD - 4030 Z		✓			
RD - 5030	✓		500	300	30
RD - 5030 Z		✓			
RD - 4040	✓		400	400	30
RD - 4040 Z		✓			
RD - 4050 Z		✓	400	500	30
RD - 4060 Z		✓	400	600	30
RD - 4080 Z		✓	400	800	50
RD - 40100 Z		✓	400	1000	50
RD - 4545 Z		✓	450	450	30
RD - 4560 Z		✓	450	600	30
RD - 5050 Z		✓	500	500	50
RD - 50100 Z		✓	500	1000	50
RD - 5555 Z		✓	550	550	50
RD - 6060 Z		✓	600	600	50



A new latch with the possibility of adding a lock



Available colours: ○ RAL 9003



FLUSH MOUNTED



II PROTECTION CLASS



Application:

Indoor LV enclosures - the flush mounted version for mounting devices from 12 to 36 modules. Adapted for mounting in masonry walls and plasterboard walls. The enclosures are equipped with connectors, which allows to connect several enclosures to create one module.

Standard equipment:

TH 35 rail, terminal bars, insulator, set of screws and nuts, yellow-green protective wire, stickers set, connectors, anchors.

Technical characteristics:

Continuous Current Rating:	$I_n \leq 100A$
Nominal switching voltage:	$U_n = 400V$
Rated insulation voltage:	$U_i = 500V$
Rated impulse withstand voltage:	$U_{imp} = 4000V$
Protection class:	II
Protection rating:	IP31

Assembly: flush mounted

Characteristics:

The devices part is made of flame-retardant plastic. Enclosures are equipped adjustable metal frame with door painted in white RAL 9003, which can be easily unscrewed. Enclosure is equipped with a latch, with possibility of mounting metal lock.

Accessories:

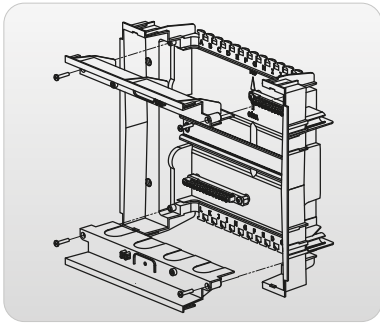
Z-K-RPT lock

Available accessories:



Z-K-RPT
as an option

TYPE/CAT. NO.	Frame dimensions			Internal dimensions of the frame		
	Height [mm]	Width [mm]	Depth [mm]	Height of the body [mm]	Width of the body [mm]	Number of modules
RPT 12	317	355	90	297	340	12
RPT 24	442	355	90	422	340	24
RPT 36	587	355	90	567	340	36
Z-K-RPT	Lock available optionally					



Convenient cable management thanks to removable top-down walls. Its easy assembly greatly speeds up the work installer.



Vertical and horizontal door regulation allows it to be adjusted to the wall.



The possibility of opening the door on left or right side



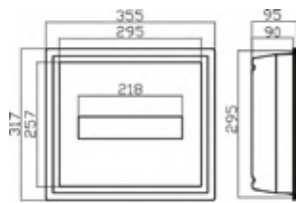
Cabinet can be assembly both in masonry walls and plaster-card-board thanks to special anchors



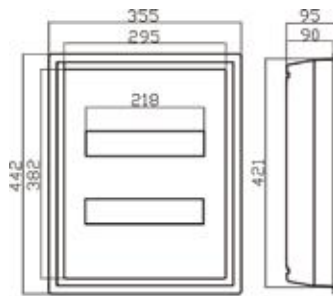
Cabinets can be connected vertically and horizontally to assembly more modules thanks to included connectors.



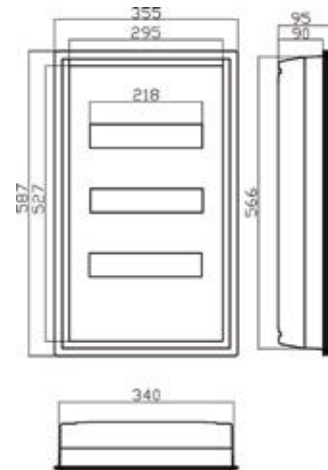
Simple assembly of modules inside the enclosure.



RPT 12



RPT 24



RPT 36

LV plastic enclosures with stainless steel doors

RPTN



A new latch with the possibility of adding a lock Z-Q-RPT

Available colours:  Grinded stainless steel



LATCH



FLUSH MOUNTED



II PROTECTION CLASS



Application:

Indoor LV enclosures - the flush mounted version for mounting devices from 12 to 36 modules. Adapted for mounting in masonry walls and plasterboard walls. The enclosures are equipped with connectors, which allows to connect several enclosures to create one module.

Standard equipment:

TH 35 rail, terminal bars, insulator, set of screws and nuts, yellow-green protective wire, stickers set, connectors, anchors.

Technical characteristics:

Continuous Current Rating:	$I_n \leq 100A$
Nominal switching voltage:	$U_n = 400V$
Rated insulation voltage:	$U_i = 500V$
Rated impulse withstand voltage:	$U_{imp} = 4000V$
Protection class:	II
Protection rating:	IP31

Assembly: flush mounted

Characteristics:

The devices part is made of flame-retardant plastic. Enclosures are equipped adjustable metal frame with door painted in white RAL 9003, which can be easily unscrewed. Enclosure is equipped with a latch, with possibility of mounting metal lock.

TYPE/CATALOGUE CODE	Frame dimensions		Internal dimensions of the frame			Number of modules
	Height [mm]	Width [mm]	Body height [mm]	Body width [mm]	Depth [mm]	
RPTN 12	317	355	297	340	90	12
RPTN 24	442	355	422	340	90	24
RPTN 36	587	355	567	340	90	36
Z-K-RPT	Lock available optionally					



Application:

ALFA low voltage modular enclosure made of high quality non-combustible synthetic materials. The construction of these cabinets enables installing all modular devices adapted for mounting on rails TH35 inside them.

Standard equipment:

TH 35 rail, terminal bars.

Technical characteristics:

Continuous Current Rating:	$I_n \leq 100A$
Nominal switching voltage:	$U_n = 400V$
Rated insulation voltage:	$U_i = 500V$
Rated impulse withstand voltage:	$U_{imp} = 4000V$
Protection class:	II
Protection rating:	IP33

Characteristics:

Flame retardant plastic, TH rails made of galvanized steel.

TYPE	Version		Number of modules	Overall dimensions [mm]		
	with latch	with lock		width	height	depth
ALFA 13	✓	Z	13	310	213	105
ALFA 13 Z		✓				
ALFA 26	✓		26	310	360	105
ALFA 26 Z		✓				
ALFA 39	✓		39	310	530	105
ALFA 39 Z		✓				
ALFA 13 BD	✓		13	310	213	105
ALFA 13 BD Z		✓				
ALFA 26 BD	✓		26	310	360	105
ALFA 26 BD Z		✓				
ALFA 39 BD	✓		39	310	530	105
ALFA 39 BD Z		✓				

Available versions:





MULT-ALFA standard



MULT-ALFA BD



Door versions: transparent/full

Available colours: ○ RAL 9003



LATCH



WALL MOUNTED



II PROTECTION CLASS



Application:

The Multi-Alfa enclosure is an ideal solution as center for terrestrial digital television, satellite television or CCTV installations and telephone, LAN or fiber network. Multi-Alfa with its plastic construction stands out due to simplicity of construction, lightness, and large assembly space, while maintaining the high quality of the product.

Construction:

- Non-combustible plastic housing
- Closure with a latch
- Perforated mounting plate
- Universal keystone sockets
- 230 V socket

Accessories:

- keystone modules (p. 151)
- power distribution units (p. 154)

TYPE	Overall dimensions			Number of Keystone sockets	Number of power sockets	Usable space dimensions		
	Height [mm]	Width [mm]	Depth [mm]			Height [mm]	Width [mm]	Depth [mm]
MULTI-ALFA 360	360	310	105	20	1	187	274	80
MULTI-ALFA 530	530	310	105	20	1	348	274	80
MULTI-ALFA 360 BD	360	310	105	20	1	187	274	80
MULTI-ALFA 530 BD	530	310	105	20	1	348	274	80
MULTI-LZ3GN	3-way power distribution unit							



The ability to connect with RPT and other FibeRPT



Door perforation available as an option



Z-K-RPT lock as an option

Available colours: ○ RAL 9003



LATCH



FLUSH MOUNTED



II Protection class



Application:

The FibeRPT enclosure is an ideal solution as center for terrestrial digital television, satellite television or CCTV installations and telephone, LAN or fiber network. The goal of FibeRPT is to simplify and integrate all teletechnical installations in one place.

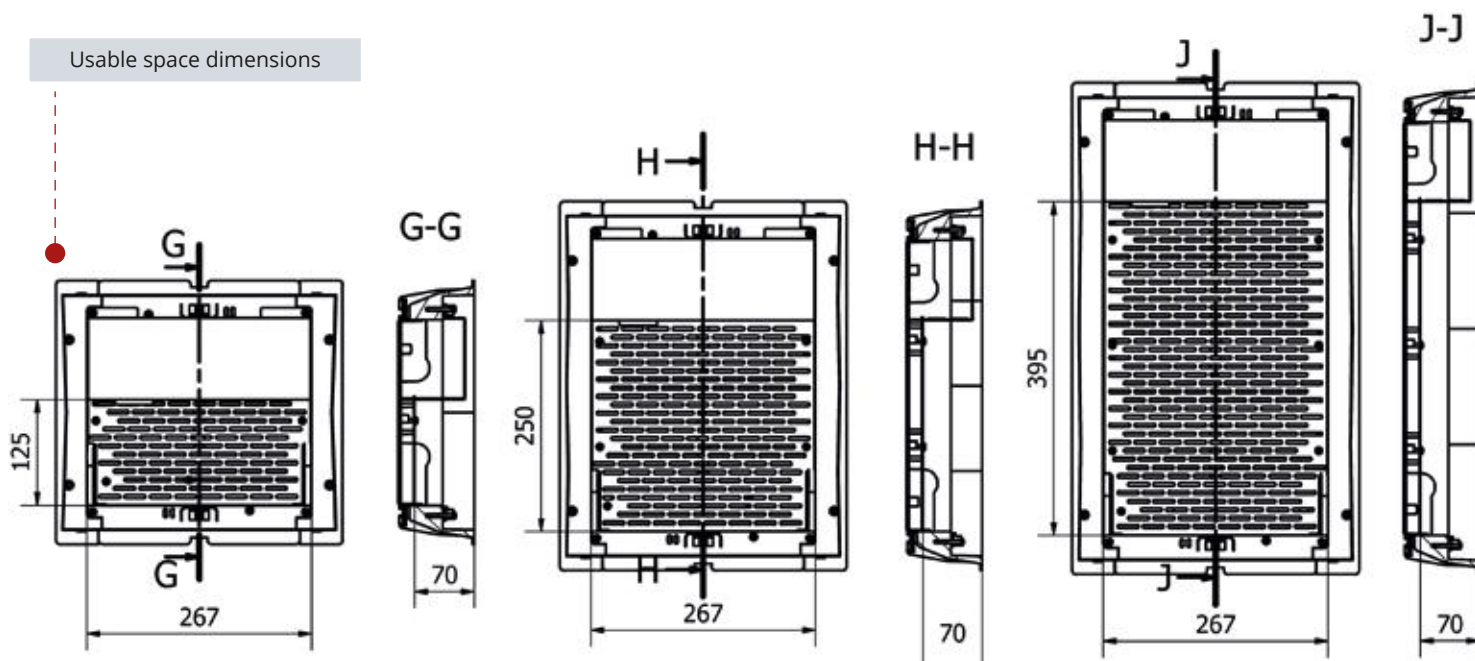
Construction:

- body made of plastic
- steel door and frame
- latch closure with the possibility of installing the lock
- perforated mounting plate
- universal keystone sockets, 230 V socket
- **COMBO version: lack of socket and keystone panel**
- the ability to combine with RPT, creating an electro-multimedia set

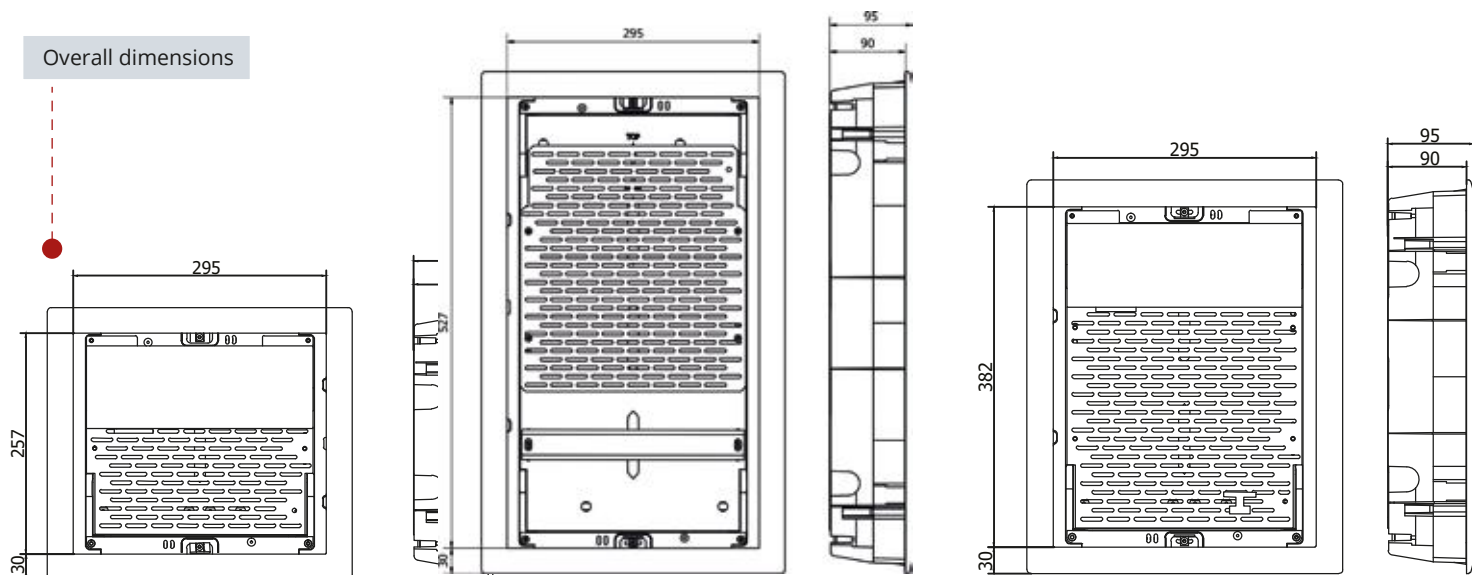
FIBERPT - DIMENSIONS

TYPE/CAT. NO.	Frame dimensions			Internal dimensions of the frame			
	Height [mm]	Width [mm]	Depth [mm]	Height of the body [mm]	Width of the body [mm]	Number of power sockets	Keystone slots
FIBERPT-25	317	355	90	297	340	1	18
FIBERPT-38	442	355	90	422	340	1	18
FIBERPT-53	587	355	90	567	340	1	18
FIBERPT-25-PRF	317	355	90	297	340	1	18
FIBERPT-38-PRF	442	355	90	422	340	1	18
FIBERPT-53-PRF	587	355	90	567	340	1	18
FIBERPT-53-COMBO	587	355	90	567	340	NONE	NONE
MULTI-LZ3GN	3-way power distribution unit						
Z-K-RPT	Lock available on request						

Usable space dimensions



Overall dimensions





Available colours: ○ RAL 9003



LOCK



WALL MOUNTED



FLUSH MOUNTED



Application:

FTTMAX enclosure is an ideal solution as center for terrestrial digital television, satellite television or CCTV installations and telephone, LAN or fiber network. FTTMAX meets the expectations of more demanding users, being a product of a higher class. It is also characterized by enlarged space.

Construction:

- steel body
- steel door
- latch closure
- perforated mounting plate
- universal keystone sockets
- flush mounting frame - as an option

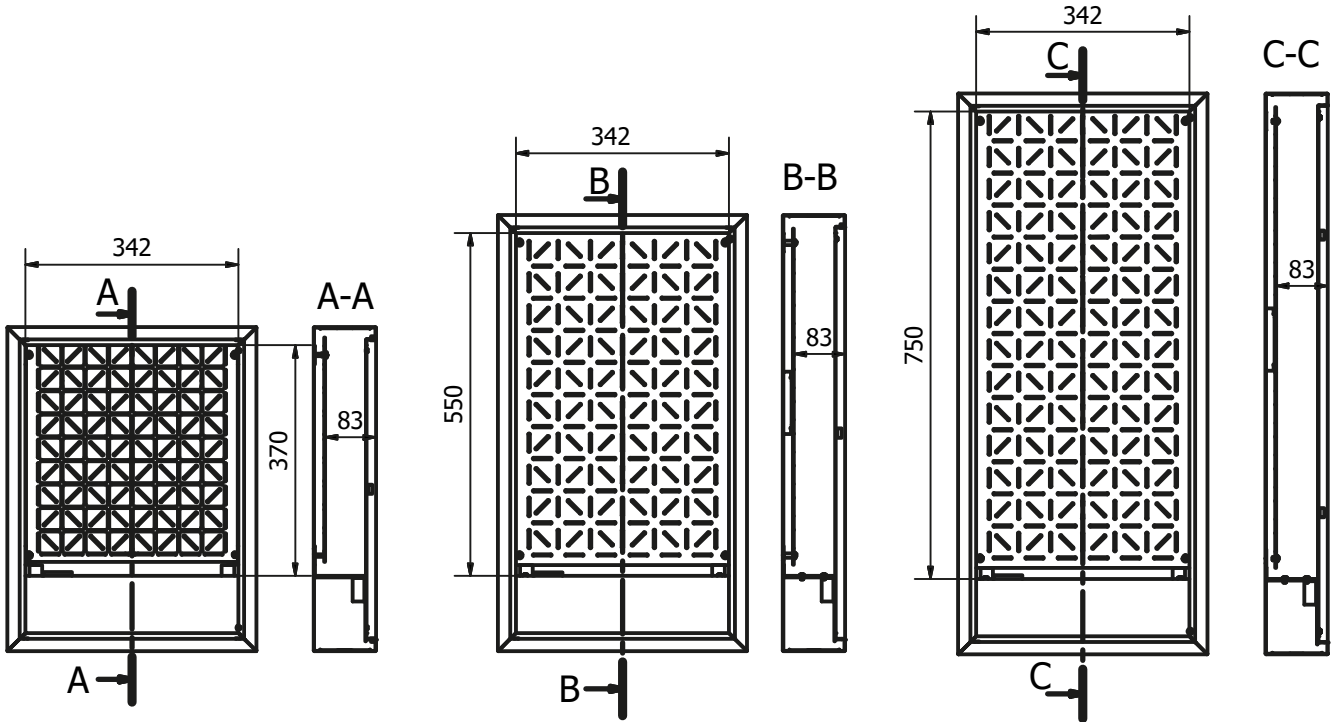
Accessories:

- keystone modules (p. 156)
- power distribution units (p. 159)

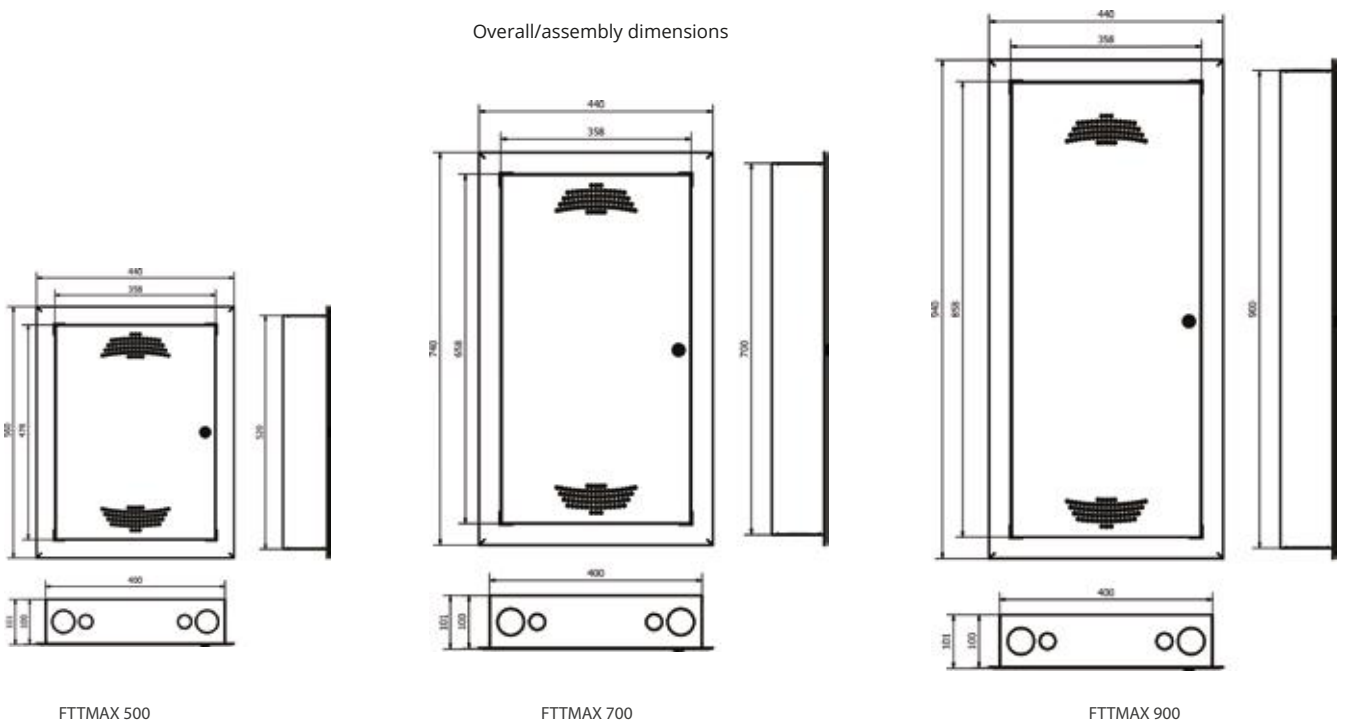
TYPE/CAT. NO.	Overall/assembly dimensions			Frame dimensions		Number of power sockets	Number of modules
	Height [mm]	Width [mm]	Depth [mm]	Height [mm]	Width [mm]		
FTTMAX 500	520	400	100	560	440	1	26
FTTMAX 700	700	400	100	740	440	1	26
FTTMAX 900	900	400	100	940	440	1	26
MULTI-LZ3GN	3-way power distribution unit						
RM-FT 500	Flush mounting frame						
RM-FT-700							
RM-FT- 900							

FTTMAX- DIMENSIONS

TYPE	Dimensions of the usable space		
	Height [mm]	Width [mm]	Depth [mm]
FTTMAX 500	370	342	83
FTTMAX 700	550	342	83
FTTMAX 900	750	342	83



Overall/assembly dimensions



FTTMAX 500

FTTMAX 700

FTTMAX 900

INDUSTRIAL CABINETS






FRAME CABINETS
DELTA





Plinth available as an option



Available colours:  RAL 7035



Indoor use



Double door version



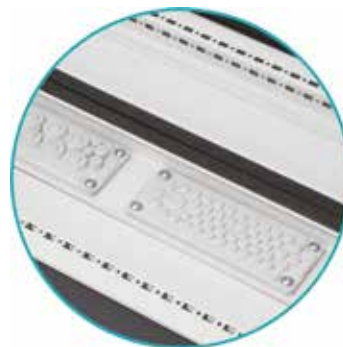
Single door version

Characteristics:

Delta is a frame cabinet used in power distribution systems and industrial automation. The modern frame construction ensures convenient installation of the equipped mounting plate, easy side walls assembly and the possibility of mounting the doors on left or right side. Thanks to the solutions used in Delta it can be comfortably equipped by one person only.

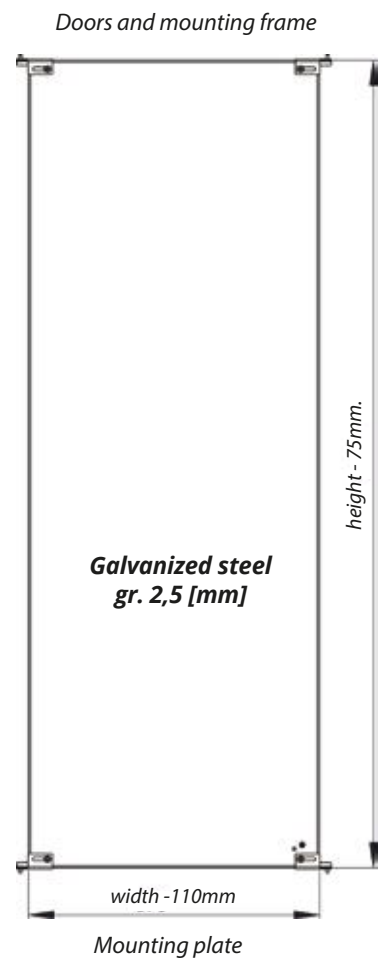
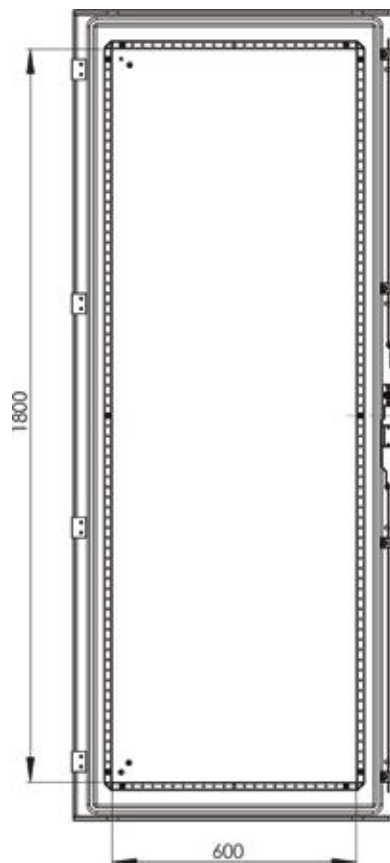
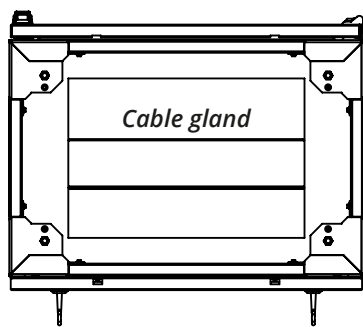
Characteristics:

The construction is made of 1.5 mm and 2.0 mm thick steel sheet. Perforated profiles are welded horizontally inside frame for convenient installation of devices. Single doors delta cabinet has IP65 protection degree. Double doors version protection degree is IP55.



Industrial cabinet construction

DELTA





Convenient assembly of the mounting plate



Komfortowy montaż ścian bocznych



Door opening angle - 180°

Easy cable management



A new mounting plate support system



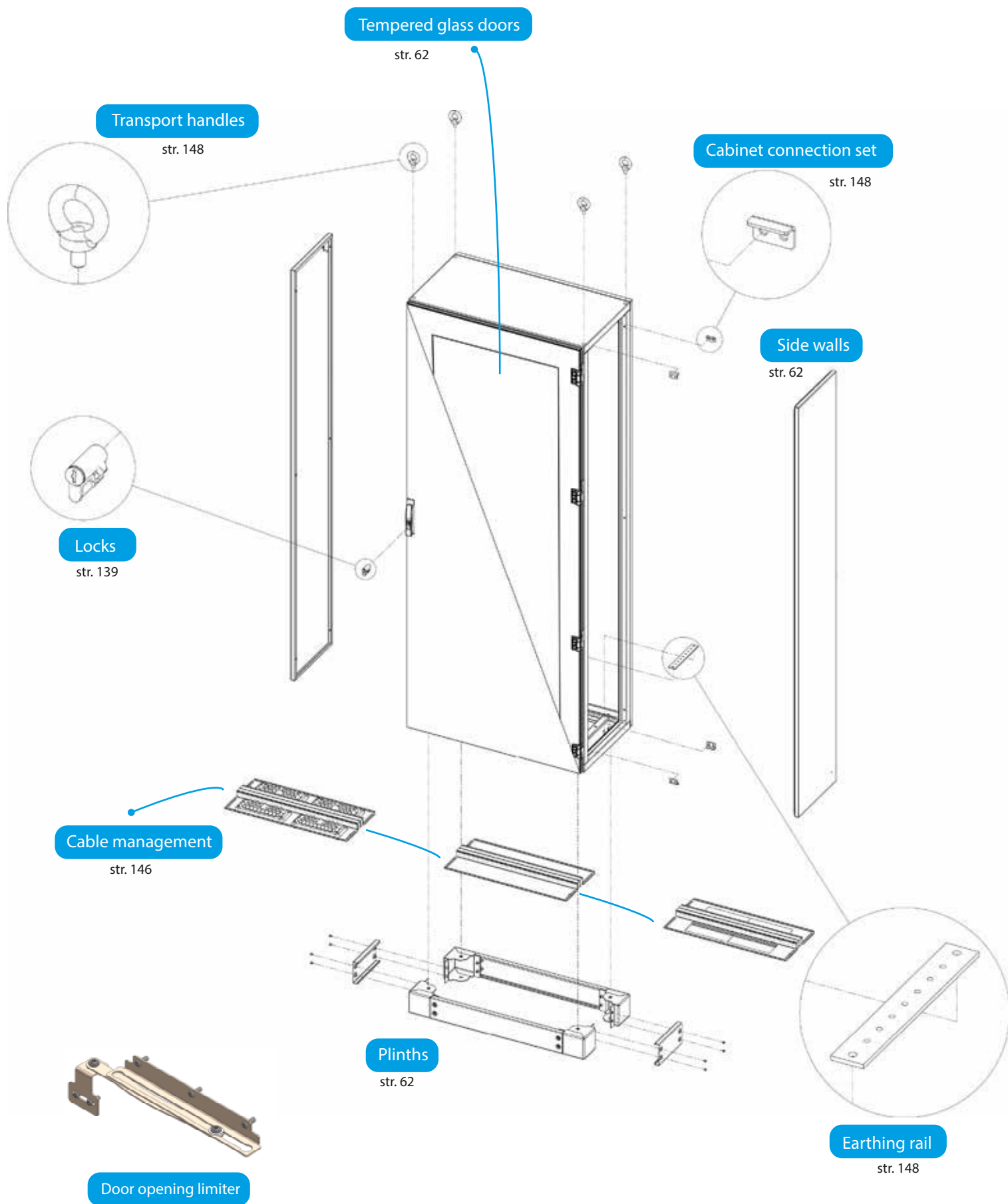
Solid closing of passive doors and increased assembly space on the door and in the cabinet.

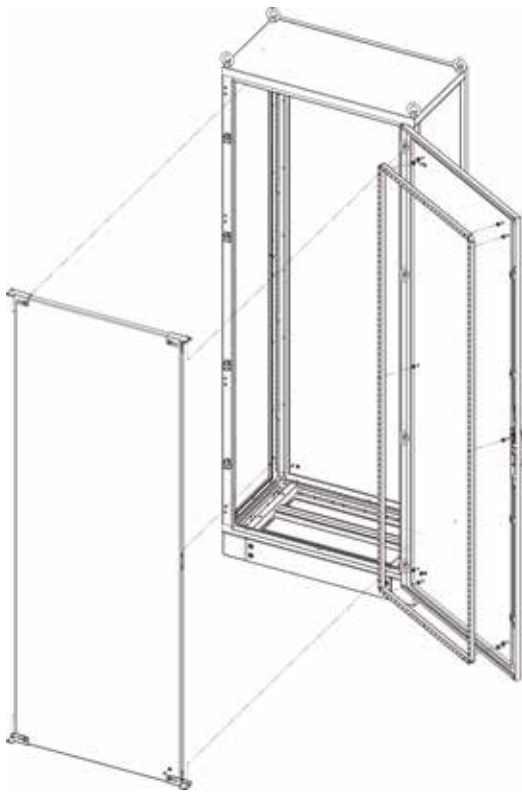


Improved mounting plate

Industrial cabinet construction

DELTA





Mounting plate

p. 62

The partition beam

Load bearing horizontal profile

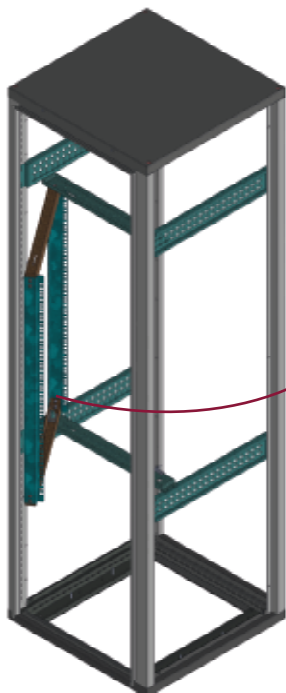
p. 63

Strengthen lengthwise profile

Vertical profile

Strengthen vertical profile

Roof-floor C profile

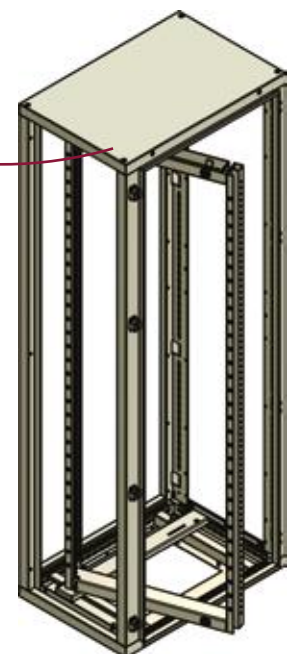


Swing frame MRW

p. 147

Swing frame SF

p. 148



Industrial cabinet dimensions

DELTA

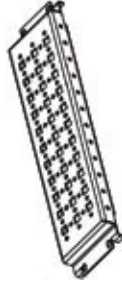
TYPE/CAT. NO.	Dimensions [width/height/depth]	Number of doors	Side walls 2 pcs.	Mounting plate	Plinth 100mm	Plinth 200mm	Cable management			Frame code Glass doors
							full	brush	membrane	
RS-06-16-04	600x1600x400	1	RS-OB-1640	RS-PM-0616	COK-0604-100	COK-0604-200	standard	RS-PSZ-06	RS-PKM-06	tempered glass
RS-06-16-06	600x1600x600	1	RS-OB-1660	RS-PM-0616	COK-0606-100	COK-0606-200	standard	RS-PSZ-06	RS-PKM-06	X
RS-06-16-08	600x1600x800	1	RS-OB-1680	RS-PM-0616	COK-0608-100	COK-0608-200	standard	RS-PSZ-06	RS-PKM-06	X
RS-06-18-04	600x1800x400	1	RS-OB-1840	RS-PM-0618	COK-0604-100	COK-0604-200	standard	RS-PSZ-06	RS-PKM-06	X
RS-06-18-06	600x1800x600	1	RS-OB-1860	RS-PM-0618	COK-0606-100	COK-0606-200	standard	RS-PSZ-06	RS-PKM-06	X
RS-06-18-08	600x1800x800	1	RS-OB-1880	RS-PM-0618	COK-0608-100	COK-0608-200	standard	RS-PSZ-06	RS-PKM-06	X
RS-06-20-04	600x2000x400	1	RS-OB-2040	RS-PM-0620	COK-0604-100	COK-0604-200	standard	RS-PSZ-06	RS-PKM-06	RS-06-20-04-DS
RS-06-20-06	600x2000x600	1	RS-OB-2060	RS-PM-0620	COK-0606-100	COK-0606-200	standard	RS-PSZ-06	RS-PKM-06	RS-06-20-06-DS
RS-06-20-08	600x2000x800	1	RS-OB-2080	RS-PM-0620	COK-0608-100	COK-0608-200	standard	RS-PSZ-06	RS-PKM-06	RS-06-20-08-DS
RS-08-16-04	800x1600x400	1	RS-OB-1640	RS-PM-0816	COK-0804-100	COK-0804-200	standard	RS-PSZ-08	RS-PKM-08	X
RS-08-16-06	800x1600x600	1	RS-OB-1660	RS-PM-0816	COK-0806-100	COK-0806-200	standard	RS-PSZ-08	RS-PKM-08	X
RS-08-16-08	800x1600x800	1	RS-OB-1680	RS-PM-0816	COK-0808-100	COK-0808-200	standard	RS-PSZ-08	RS-PKM-08	X
RS-08-18-04	800x1800x400	1	RS-OB-1840	RS-PM-0818	COK-0804-100	COK-0804-200	standard	RS-PSZ-08	RS-PKM-08	X
RS-08-18-06	800x1800x600	1	RS-OB-1860	RS-PM-0818	COK-0806-100	COK-0806-200	standard	RS-PSZ-08	RS-PKM-08	X
RS-08-18-08	800x1800x800	1	RS-OB-1880	RS-PM-0818	COK-0808-100	COK-0808-200	standard	RS-PSZ-08	RS-PKM-08	X
RS-08-20-04	800x2000x400	1	RS-OB-2040	RS-PM-0820	COK-0804-100	COK-0804-200	standard	RS-PSZ-08	RS-PKM-08	RS-08-20-04-DS
RS-08-20-06	800x2000x600	1	RS-OB-2060	RS-PM-0820	COK-0608-100	COK-0608-200	standard	RS-PSZ-08	RS-PKM-08	RS-08-20-06-DS
RS-08-20-08	800x2000x800	1	RS-OB-2080	RS-PM-0820	COK-0808-100	COK-0808-200	standard	RS-PSZ-08	RS-PKM-08	RS-08-20-08-DS
RS-10-16-04	1000x1600x400	2	RS-OB-1640	RS-PM-1016	COK-1004-100	COK-1004-200	standard	RS-PSZ-10	RS-PKM-10	X
RS-10-16-06	1000x1600x600	2	RS-OB-1660	RS-PM-1016	COK-1006-100	COK-1006-200	standard	RS-PSZ-10	RS-PKM-10	X
RS-10-16-08	1000x1600x800	2	RS-OB-1680	RS-PM-1016	COK-1008-100	COK-1008-200	standard	RS-PSZ-10	RS-PKM-10	X
RS-10-18-04	1000x1800x400	2	RS-OB-1840	RS-PM-1018	COK-1004-100	COK-1004-200	standard	RS-PSZ-10	RS-PKM-10	X
RS-10-18-06	1000x1800x600	2	RS-OB-1860	RS-PM-1018	COK-1006-100	COK-1006-200	standard	RS-PSZ-10	RS-PKM-10	X
RS-10-18-08	1000x1800x800	2	RS-OB-1880	RS-PM-1018	COK-1008-100	COK-1008-200	standard	RS-PSZ-10	RS-PKM-10	X
RS-10-20-04	1000x2000x400	2	RS-OB-2040	RS-PM-1020	COK-1004-100	COK-1004-200	standard	RS-PSZ-10	RS-PKM-10	RS-10-20-04-DS
RS-10-20-06	1000x2000x600	2	RS-OB-2060	RS-PM-1020	COK-1006-100	COK-1006-200	standard	RS-PSZ-10	RS-PKM-10	RS-10-20-06-DS
RS-10-20-08	1000x2000x800	2	RS-OB-2080	RS-PM-1020	COK-1008-100	COK-1008-200	standard	RS-PSZ-10	RS-PKM-10	RS-10-20-08-DS
RS-12-16-04	1200x1600x400	2	RS-OB-1640	RS-PM-1216	COK-1204-100	COK-1204-200	standard	RS-PSZ-12	RS-PKM-12	X
RS-12-16-06	1200x1600x600	2	RS-OB-1660	RS-PM-1216	COK-1206-100	COK-1206-200	standard	RS-PSZ-12	RS-PKM-12	X
RS-12-16-08	1200x1600x800	2	RS-OB-1680	RS-PM-1216	COK-1208-100	COK-1208-200	standard	RS-PSZ-12	RS-PKM-12	X
RS-12-18-04	1200x1800x400	2	RS-OB-1840	RS-PM-1218	COK-1204-100	COK-1204-200	standard	RS-PSZ-12	RS-PKM-12	X
RS-12-18-06	1200x1800x600	2	RS-OB-1860	RS-PM-1218	COK-1206-100	COK-1206-200	standard	RS-PSZ-12	RS-PKM-12	X
RS-12-18-08	1200x1800x800	2	RS-OB-1880	RS-PM-1218	COK-1208-100	COK-1208-200	standard	RS-PSZ-12	RS-PKM-12	X
RS-12-20-04	1200x2000x400	2	RS-OB-2040	RS-PM-1220	COK-1204-100	COK-1204-200	standard	RS-PSZ-12	RS-PKM-12	RS-12-20-04-DS
RS-12-20-06	1200x2000x600	2	RS-OB-2060	RS-PM-1220	COK-1206-100	COK-1206-200	standard	RS-PSZ-12	RS-PKM-12	RS-12-20-06-DS
RS-12-20-08	1200x2000x800	2	RS-OB-2080	RS-PM-1220	COK-1208-100	COK-1208-200	standard	RS-PSZ-12	RS-PKM-12	RS-12-20-08-DS



Load-bearing horizontal profile



Lengthwise profile



Strengthen lengthwise profile



Roof-floor C-profile



Strengthen vertical profile



Vertical profile



The partition beam

Load-bearing horizontal profile	Lengthwise profile	Strengthen lengthwise profile	Roof-floor C-profile	Lengthwise profile necessary		The partition beam for cabinets 1000 & 1200 in width
				Strengthen vertical profile	Strengthen profile	
				400-2000	400-2000	
RS-PP7725-06	RS-PW3721-04	RS-PWW8721-04	RS-PC3723-06	RS-PPW8721-400	RS-PP3721-400	RS-BD5225-16
	RS-PW3721-06	RS-PWW8721-06		RS-PPW8721-600	RS-PP3721-600	RS-BD5225-18
RS-PP7725-08	RS-PW3721-08	RS-PWW8721-08	RS-PC3723-08	RS-PPW8721-800	RS-PP3721-800	RS-BD5225-20
	RS-PW3721-04	RS-PWW8721-04		RS-PPW8721-1000	RS-PP3721-1000	
RS-PP7725-10	RS-PW3721-06	RS-PWW8721-06	RS-PC3723-10	RS-PPW8721-1200	RS-PP3721-1200	
	RS-PW3721-08	RS-PWW8721-08		RS-PPW8721-1400	RS-PP3721-1400	
RS-PP7725-12	RS-PW3721-04	RS-PWW8721-04	RS-PC3723-12	RS-PPW8721-1600	RS-PP3721-1600	
	RS-PW3721-06	RS-PWW8721-06		RS-PPW8721-1800	RS-PP3721-1800	
	RS-PW3721-08	RS-PWW8721-08		RS-PPW8721-2000	RS-PP3721-2000	

Cabinet width (600, 800, 1000, 1200) Cabinet depth (400, 600, 800) Cabinet width (600, 800, 1000, 1200) Cabinet height Cabinet height (1600, 1800, 2000)





sample configuration



Plinth available as an option



single door version



indoor application



double door version



outdoor application only with stainless steel sheet steel

Characteristics:

The modular enclosure system is well developed construction of Sabaj HD enclosures. Dividing grid inside was created in accordance with **DIN 43870 standard**.

The cabinet is made of 1.5mm sheet.

Features:

- the possibility of dividing cabinet both vertical and horizontal
- adjustable mounting depth relative to the covers and the bottom of the cabinet
- covers with quick-release fasteners with the possibility of sealing
- removable mounting insert that allows lacing of devices outside the cabinet
- universal components of the system enable configuration adjusted to the client's needs



1. Choose the size of the cabinet

1.1. Use the Layout Plan to plan the installation: devices, spaces of mounting plates, number of modules and counters.

1.2. Calculate the surface of your equipment on the building spaces (for example check how many meters will fit in the counter or how much space you need space for TH rail for modules)

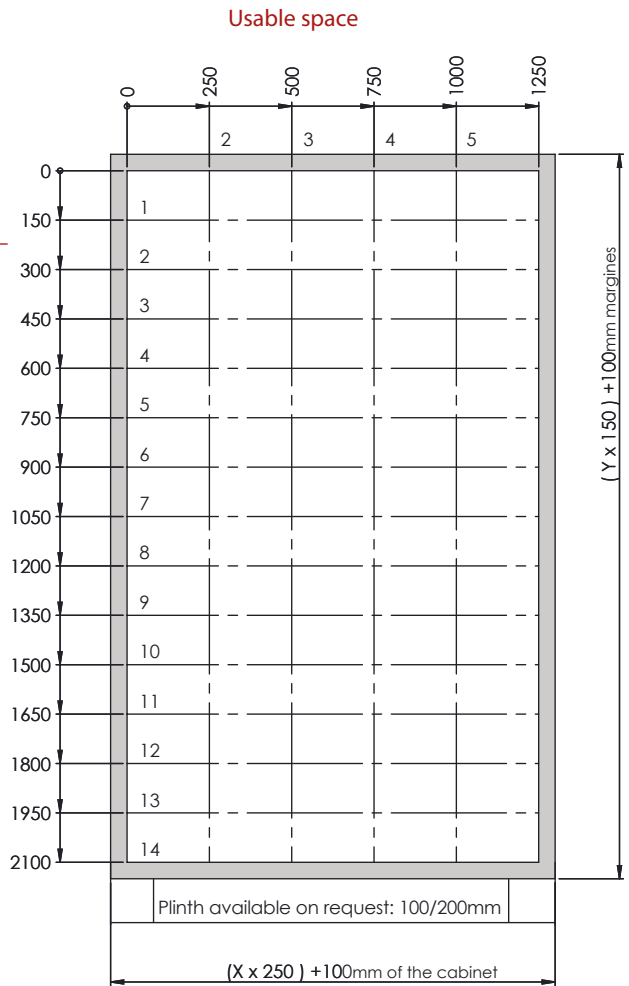
1.3. Choose the right size of the cabinet so that it fits in planned project. Remember the depth of the cabinet.

1.4 Using the table on page 66, you can choose a plinth, suitable to the cabinet's size.

2. Choose the doors

2.1. Choose full or glass doors. Remember that the glass doors do not have a mounting frame.

NOTE: double doors have a closing from the inside, which must be taken into consideration when choosing the depth of the cabinet. In case of mounting the inner closure all devices should be moved 25 mm deeper. The table on page 66 describes which cabinet dimensions double doors.

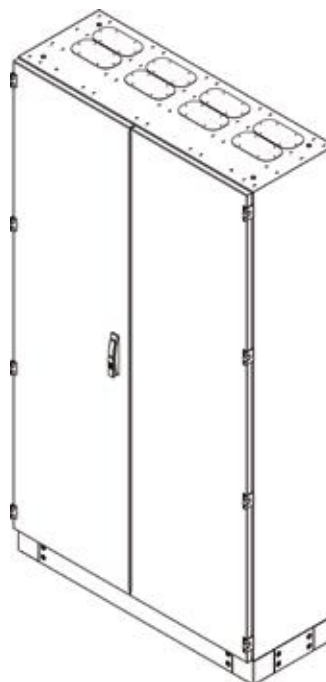


Full doors

Glass door



Passive door closing system

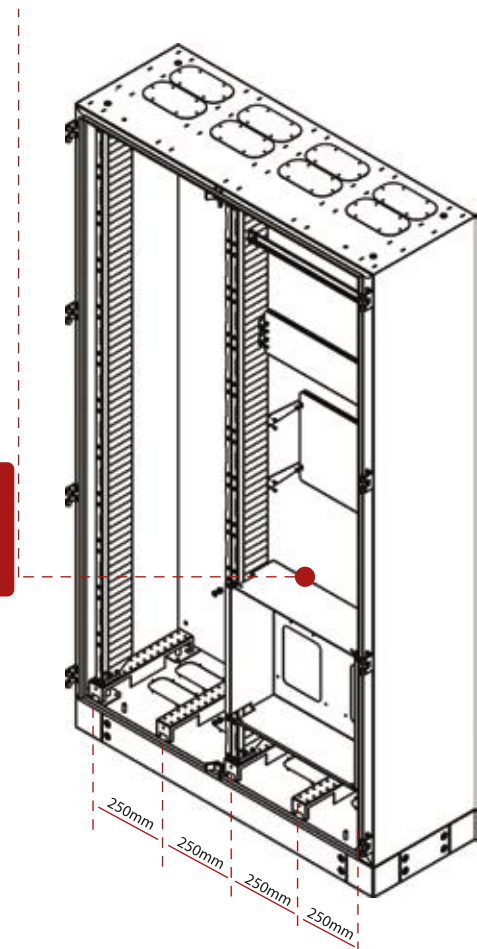
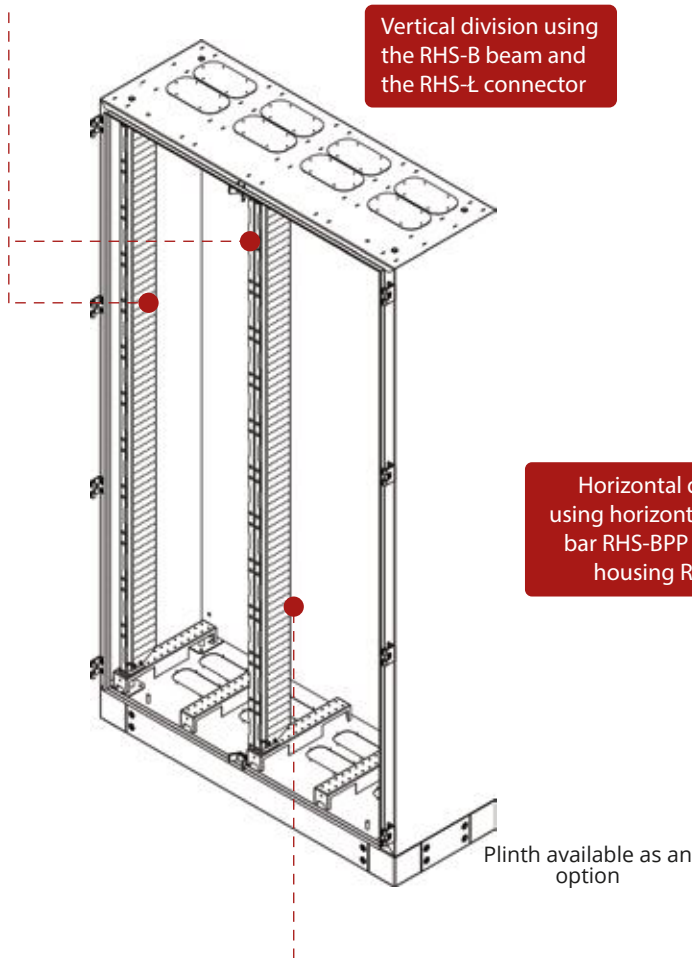


Code	Width	Height	Depth	Number of doors	Plinth 100mm	Plinth 200mm	Max. quantity of vertical columns	Max. quantity of horizontal divisions	Accessories			Glass doors (tempered glass)
									Beam RHS-B	Horizontal bar HDS-LX	Vertical bar HDS-LY	
HD6103	600		300	1	COK-062.8-100	COK-062.8-200	2		HDS-LX600			DS-HD-610
HD6104	600		400	1	COK-063.8-100	COK-063.8-200	2		HDS-LX600			DS-HD-610
HD8.5103	850		300	1	COK-8.52.8-100	COK-8.52.8-200	3		HDS-LX850			DS-HD-8.510
HD8.5104	850	1000	400	1	COK-8.53.8-100	COK-8.53.8-200	3	6	RHS-B06S125	HDS-LX850	HDS-LY1000	DS-HD-8.510
HD111103	1100		300	2	COK-112.8-100	COK-112.8-200	4		HDS-LX1100			DS-HD-1110
HD111104	1100		400	2	COK-113.8-100	COK-113.8-200	4		HDS-LX1100			DS-HD-1110
HD13.5103	1350		300	2	COK-13.52.8-100	COK-13.52.8-200	5		HDS-LX1350			DS-HD-13.510
HD13.5104	1350		400	2	COK-13.53.8-100	COK-13.53.8-200	5		HDS-LX1350			DS-HD-13.510
HD6133	600		300	1	COK-062.8-100	COK-062.8-200	2		HDS-LX600			DS-HD-613
HD6134	600		400	1	COK-063.8-100	COK-063.8-200	2		HDS-LX600			DS-HD-613
HD8.5133	850		300	1	COK-8.52.8-100	COK-8.52.8-200	3		HDS-LX850			DS-HD-8.513
HD8.5134	850	1300	400	1	COK-8.53.8-100	COK-8.53.8-200	3	8	RHS-B08S125	HDS-LX850	HDS-LY1300	DS-HD-8.513
HD111133	1100		300	2	COK-112.8-100	COK-112.8-200	4		HDS-LX1100			DS-HD-1113
HD111134	1100		400	2	COK-113.8-100	COK-113.8-200	4		HDS-LX1100			DS-HD-1113
HD13.5133	1350		300	2	COK-13.52.8-100	COK-13.52.8-200	5		HDS-LX1350			DS-HD-13.513
HD13.5134	1350		400	2	COK-13.53.8-100	COK-13.53.8-200	5		HDS-LX1350			DS-HD-13.513
HD6163	600		300	1	COK-062.8-100	COK-062.8-200	2		HDS-LX600			DS-HD-616
HD6164	600		400	1	COK-063.8-100	COK-063.8-200	2		HDS-LX600			DS-HD-616
HD8.5163	850		300	1	COK-8.52.8-100	COK-8.52.8-200	3		HDS-LX850			DS-HD-8.516
HD8.5164	850	1600	400	1	COK-8.53.8-100	COK-8.53.8-200	3	10	RHS-B10S125	HDS-LX850	HDS-LY1600	DS-HD-8.516
HD111163	1100		300	2	COK-112.8-100	COK-112.8-200	4		HDS-LX1100			DS-HD-1116
HD111164	1100		400	2	COK-113.8-100	COK-113.8-200	4		HDS-LX1100			DS-HD-1116
HD13.5163	1350		300	2	COK-13.52.8-100	COK-13.52.8-200	5		HDS-LX1350			DS-HD-13.516
HD13.5164	1350		400	2	COK-13.53.8-100	COK-13.53.8-200	5		HDS-LX1350			DS-HD-13.516
HD6193	600		300	1	COK-062.8-100	COK-062.8-200	2		HDS-LX600			DS-HD-619
HD6194	600		400	1	COK-063.8-100	COK-063.8-200	2		HDS-LX600			DS-HD-619
HD8.5193	850		300	1	COK-8.52.8-100	COK-8.52.8-200	3		HDS-LX850			DS-HD-8.519
HD8.5194	850	1900	400	1	COK-8.53.8-100	COK-8.53.8-200	3	12	RHS-B12S125	HDS-LX850	HDS-LY1900	DS-HD-8.519
HD111193	1100		300	2	COK-112.8-100	COK-112.8-200	4		HDS-LX1100			DS-HD-1119
HD111194	1100		400	2	COK-113.8-100	COK-113.8-200	4		HDS-LX1100			DS-HD-1119
HD13.5193	1350		300	2	COK-13.52.8-100	COK-13.52.8-200	5		HDS-LX1350			DS-HD-13.519
HD13.5194	1350		400	2	COK-13.53.8-100	COK-13.53.8-200	5		HDS-LX1350			DS-HD-13.519
HD6223	600	2200	300	1	COK-062.8-100	COK-062.8-200	2	14	RHS-B14S125	HDS-LX600	HDS-LY2200	DS-HD-622
HD620.54	600	2050	400	1	COK-63.8-100	COK63.8-200	2	13	RHS-B13S125	HDS-LX600	HDS-LY2050	BRAK
HD6224	600		400	1	COK-063.8-100	COK-063.8-200	2		HDS-LX600			DS-HD-622
HD8.5223	850		300	1	COK-8.52.8-100	COK-8.52.8-200	3		HDS-LX850			DS-HD-8.522
HD8.5224	850		400	1	COK-8.53.8-100	COK-8.53.8-200	3		HDS-LX850			DS-HD-8.522
HD11223	1100	2200	300	2	COK-112.8-100	COK-112.8-200	4	14	RHS-B14S125	HDS-LX1100	HDS-LY2200	DS-HD-1122
HD11224	1100		400	2	COK-113.8-100	COK-113.8-200	4		HDS-LX1100			DS-HD-1122
HD13.5223	1350		300	2	COK-13.52.8-100	COK-13.52.8-200	5		HDS-LX1350			DS-HD-13.522
HD13.5224	1350		400	2	COK-13.53.8-100	COK-13.53.8-200	5		HDS-LX1350			DS-HD-13.522

3. Vertical-horizontal division

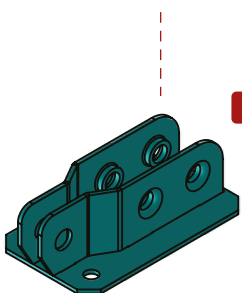
3.1. On the basis of your cabinet insert plan divide horizontally & vertically (decide where vertical and horizontal dividing elements should be placed to separate individual areas of the cabinet). Each cabinet can be divided into columns with a width or multiple of 250mm. The creation of the column is possible thanks to the use of RHS-B and 2x RHS-Ł.

- vertical division element: RHS-B (beam)
- horizontal division element: RHS-TL (meter housing)



3.2. Choose the amount of RHS-B beams needed. Each cabinet contains min. two beams and two additional ones for each vertical division.

3.3. Select the right number of vertical beam connectors (RHS-Ł). The fasteners enable fast installation of vertical beams to the cabinet's body.



Vertical beam connector RHS-Ł

4. Choose the other elements (EXAMPLES)

4.1. Select the remaining elements from the available list according to Your needs from point 1.1.

Example of fixing the circuit breaker modules:

- dobierz długość szyny TH35 tak, aby zmieściła wymaganą ilość aparatów modułowych. Następnie dobierz odpowiednią osłonę RHS-OS. W celu zamontowania szyny TH35 na belce RHS-B dobierz dwa kątowniki RHS-KN.

Example of installing the device to the mounting plate L-RHS:

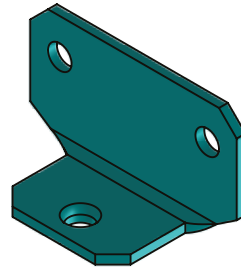
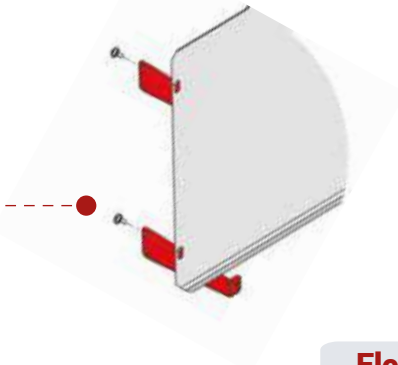
- for a matching mounting plate, which mounting space allows you to install the chosen device, choose RHS-KN or RHS-KW angle bracket - depending on the required depth in relation to the plane of the covers. Depending on the size of the mounting plate, choose the cover (eg RHS-OP).

Mounting angles



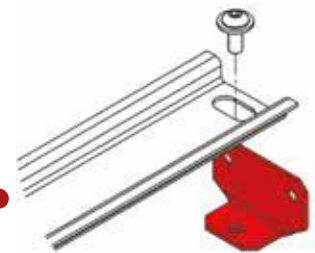
RHS-KW High mounting angle		
Width	Height	Code
x	x	RHS-KW

It is used for mounting RHS-PML boards and TH35 rails on the RHS-B beam. Allows you to adjust the depth. Attaches to the RHS-B beam. Sold in pairs.

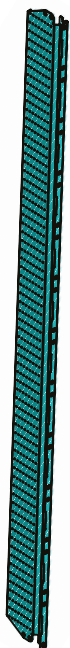


RHS-KN low mounting angle		
Width	Height	Code
x	x	RHS-KN

It is used for mounting RHS-PML boards and TH35 rails on the RHS-B beam. Allows you to adjust the depth. Sold in pairs. Attaches to the RHS-B beam.

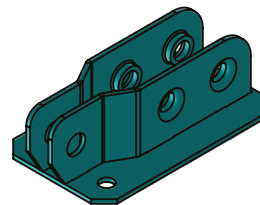


Elements for vertical division



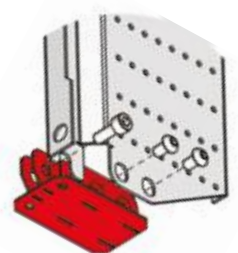
RHS 125 beam		
Width	Height	Code
x	1000	RHS-B06S125
x	1300	RHS-B08S125
x	1600	RHS-B10S125
x	1900	RHS-B12S125
x	2200	RHS-B14S125

Mounted on RHS-L connectors. It is used for vertical division of the cabinet and its further construction. It allows you to build an input and attach it to the cabinet.

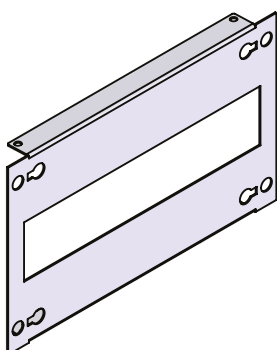


RHS-L connector		
Width	Height	Code
x	x	RHS-L

Provides vertical division of the cabinet. It is used for quick assembly of RHS-B beams to the cabinet body. Sold in pairs.

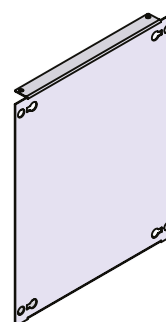


Covers



RHS S cover			
Width	Height	Number of modules "S"	Code
250	150	12	RHS-O12S
500		24	RHS-O24S
750		36	RHS-O36S
1000		48	RHS-O48S
1250		60	RHS-O60S

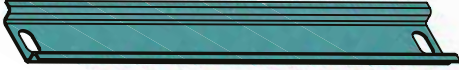
It is used to protect the modular equipment. Latches included.



RHS Full cover		
Width	Height	Code
250	150	RHS-O11P
500		RHS-O21P
750		RHS-O31P
1000		RHS-O41P
1250		RHS-O51P
250	300	RHS-O12P
	450	RHS-O13P

Used to completely cover modular fields. Latches included.

Mounting accessories



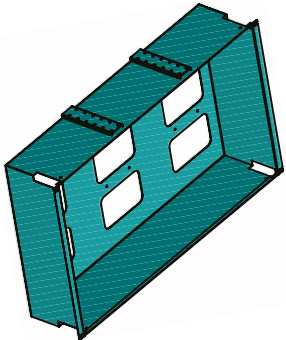
TH35 rails		
Width	Number of modules "S"	Code
250	12	THL220
500	24	THL470
750	36	THL720
1000	48	THL970
1250	60	THL1220

Used for mounting modular devices
It is installed on RHS-B beams using angles RHS-KN or RHS-KW.



RHS Mounting plate			
Width	Height	Mounting space [mm]	Code
250	150	220x140	RHS-PML11
	300	220x290	RHS-PML12
	450	220x440	RHS-PML13
500	300	470x290	RHS-PML22
750		720x290	RHS-PML32
1000		970x290	RHS-PML42
1250		1220x290	RHS-PML52

It is used for any assembly of the devices.
The board is installed into the RHS-B beams using angles RHS-KN or RHS-KW.



RHS Triple meters casing			
Width	Height	Number of meters	Code
250	450	1	RHS-TL11
500		2	RHS-TL21
750		3	RHS-TL31
1000		4	RHS-TL41
1250		5	RHS-TL51

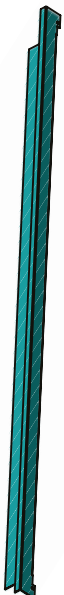
It is used for assembly of triple meters.
It is installed on RHS-B beams.



RHS meter bar		
Width	Height	Code
250	x	RHS-TLL1
500		RHS-TLL2
750		RHS-TLL3
1000		RHS-TLL4
1250		RHS-TLL5

It is used for mounting on meter casing RHS-TL to ensure IP20 protection.

It is used for mounting in the cabinet to ensure a degree of protection IP20 inside.



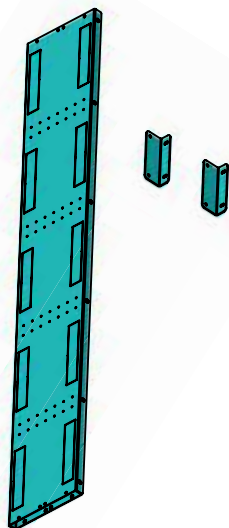
RHS Vertical strip Y		
Width	Height	Code
x	900	HDS-LY1000
	1200	HDS-LY1300
	1500	HDS-LY1600
	1800	HDS-LY1900
	2100	HDS-LY2200

It is used for mounting in the cabinet to ensure a degree of protection IP20 inside.



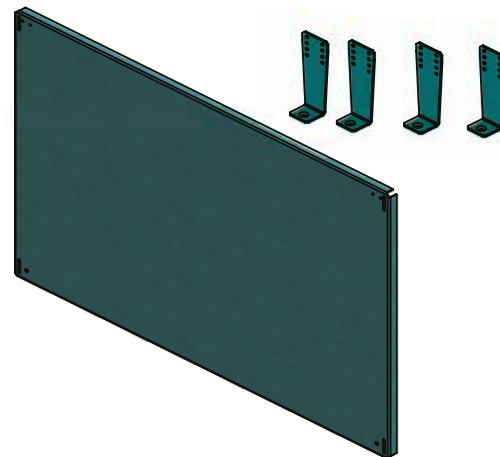
RHS Horizontal strip X		
Width	Height	Code
500	x	HDS-LX600
750		HDS-LX850
1000		HDS-LX1100
1250		HDS-LX1350

It is used for mounting in the cabinet to ensure a degree of protection IP20 inside.



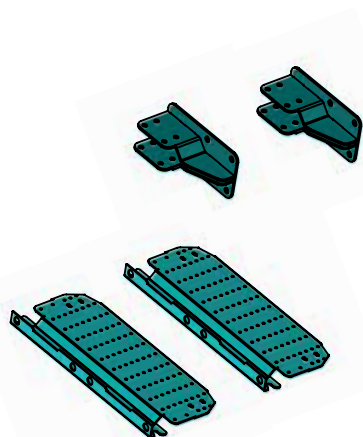
RHS horizontal division beam			
Width	Height	Depth	Code
500	X	300	RHS-BPP-2-300
	X	400	RHS-BPP-2-400
750	X	300	RHS-BPP-3-300
	X	400	RHS-BPP-3-400
1000	X	300	RHS-BPP-4-300
	X	400	RHS-BPP-4-400
1250	X	300	RHS-BPP-5-300
	X	400	RHS-BPP-5-400

Used to divide the cabinet horizontally. Allows assembly of vertical division beams RHS-BP RHS-LPP sockets, screwed for drilling in RHS-BPP. The set is made of one RHS-BPP beam and two RHS-BPPK mounting angles.



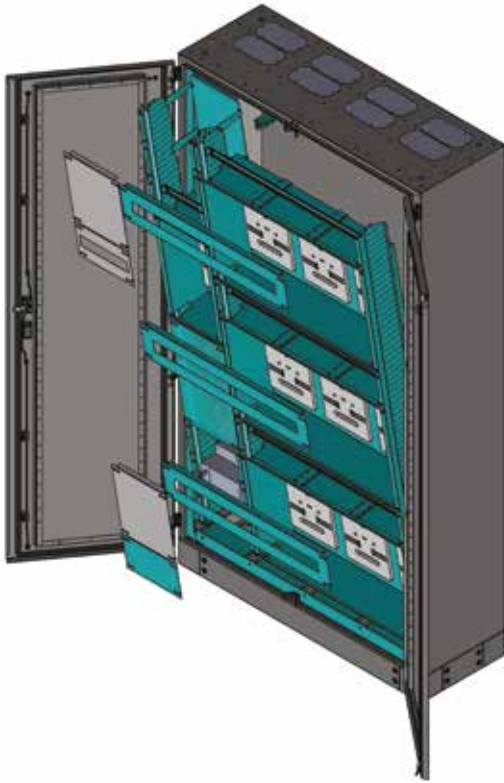
RHS heavy mounting plate			
Width	Height	Pow. Montażowa	Code
500	600	470x575	RHS-PMC24
750		720x575	RHS-PMC34
1000		970x575	RHS-PMC44
1250		1220x575	RHS-PMC54
500	900	470x875	RHS-PMC26
750		720x875	RHS-PMC36
1000		970x875	RHS-PMC46
1250		1220x875	RHS-PMC56
500	1200	470x1175	RHS-PMC28
750		720x1175	RHS-PMC38
1000		970x1175	RHS-PMC48
1250		1220x1175	RHS-PMC58
500	1500	470x1475	RHS-PMC210
750		720x1475	RHS-PMC310
1000		970x1475	RHS-PMC410
1250		1220x1475	RHS-PMC510
500	1800	470x1775	RHS-PMC212
750		720x1775	RHS-PMC312
1000		970x1775	RHS-PMC412
1250		1220x1775	RHS-PMC512
500	2100	470x2075	RHS-PMC214
750		720x2075	RHS-PMC314
1000		970x2075	RHS-PMC414
1250		1220x2075	RHS-PMC514

The set contains an RHS-PMC board and four RHS-KMPC angle brackets.



RHS vertical division beam		
Height	Width	Code
150	X	RHS-BP2S125
300	X	RHS-BP3S125
450	X	RHS-BP4S125
600	X	RHS-BP5S125
750	X	RHS-BP6S125
900	X	RHS-BP7S125
1050	X	RHS-BP8S125
1200	X	RHS-BP9S125
1350	X	RHS-BP10S125
1500	X	RHS-BP11S125
1650	X	RHS-BP12S125
1800	X	RHS-BP13S125

Enables vertical division on the horizontal division beam RHS-BPP. The set include two RHS-BP beams and two RHS-LPP connectors.



Sample configuration of X-MODUL HD

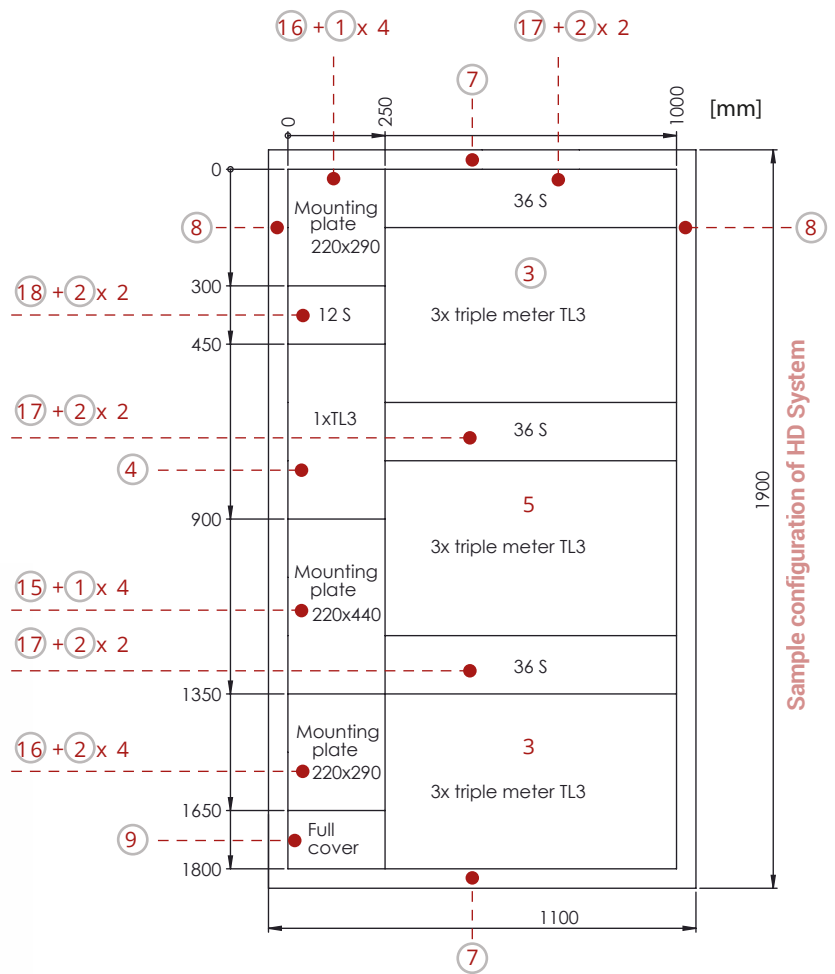
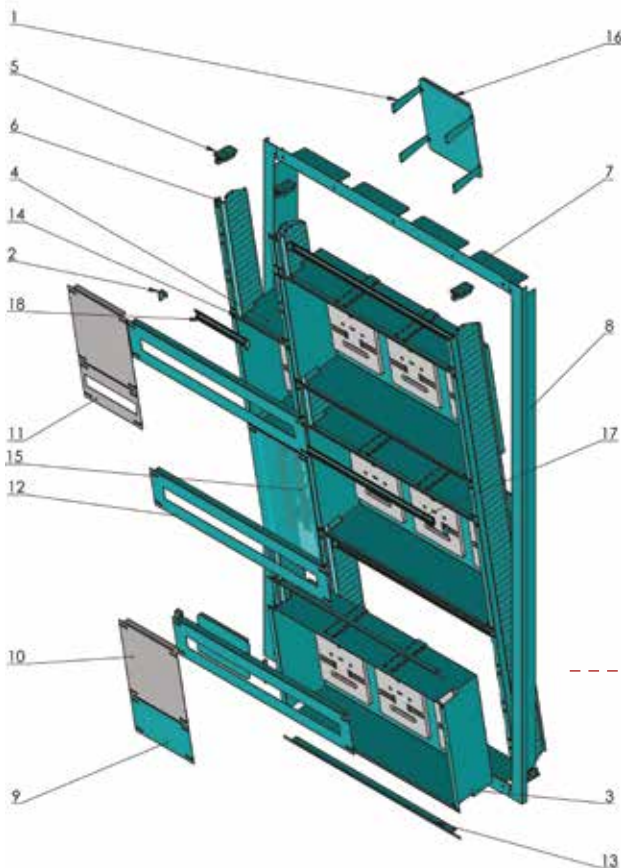
HD cabinet HD11194 (1100x1900x400)

Meters:

- 9 triple meters
- possibility of mounting 3x36 modules „S”

Power distribution:

- three mounting plates with a usable area: 220x140, 220x290 and 220x440, intended for assembly of equipment or current paths.
- 1 single counter
- possibility of modular construction 12 "S"




Lp.	Name	Lp.	Name
1	RHS-KW	10	RHS-O12P
2	RHS-KN	11	RHS-O11S
3	RHS-TL31	12	RHS-O31S
4	RHS-TL11	13	RHS-TLL3
5	RHS-L	14	RHS-TLL1
6	RHS-B12S125	15	RHS-PML13
7	HDS-LX1100	16	RHS-PML12
8	HDS-LY1900	17	TH35L720
9	RHS-O11P	18	TH35L220

Industrial cabinet specification

RH



Available colours:  RAL 7035



Universal assembly



Indoor use



Single door
version



Double door
version

Application:

Metal enclosures that can be used in both industrial sector and as meter or modular enclosure. The high degree of protection ensures proper operation of devices mounted inside the cabinet.

Standard equipment:

Lock and a key, mounting plate, screws & caps kit, washer, yellow-green protective wire, stickers set, round plastic plugs.

Door opening angle - 130°

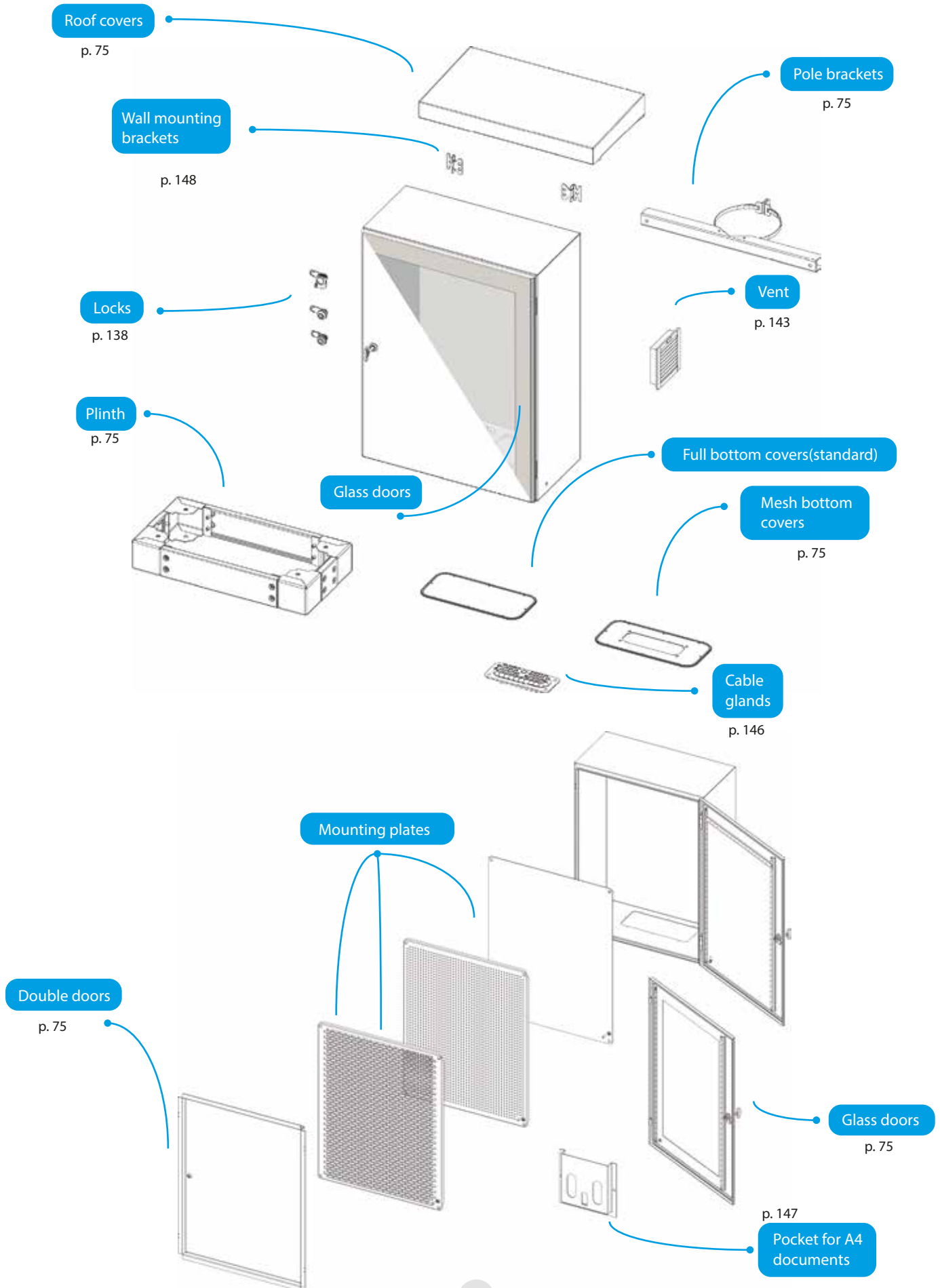
Technical characteristics:

Continuous Current Rating:	In < 100A
Nominal switching voltage:	Un = 400V
Rated insulation voltage:	Ui = 500V
Protection class:	I
Protection rating:	IP65

Assembly: universal mounting

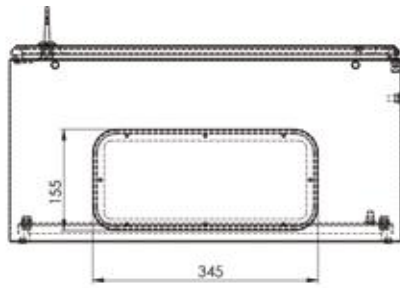
Characteristics:

Made of 1.2-1.5mm steel sheet with a protective coating RAL 7035 powder painted . Versatile door assembly "left-right".

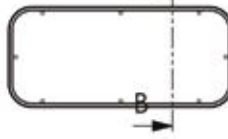


Industrial cabinet construction

RH

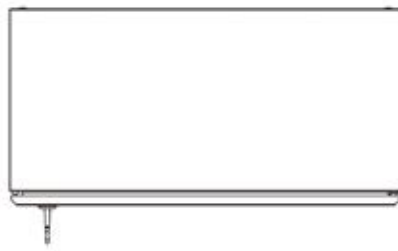
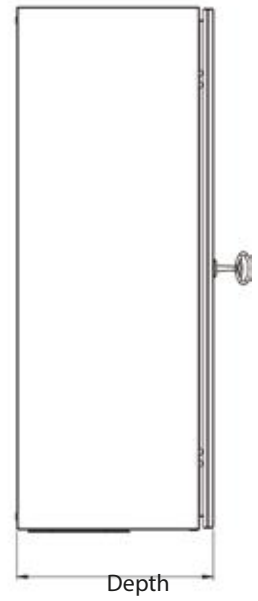
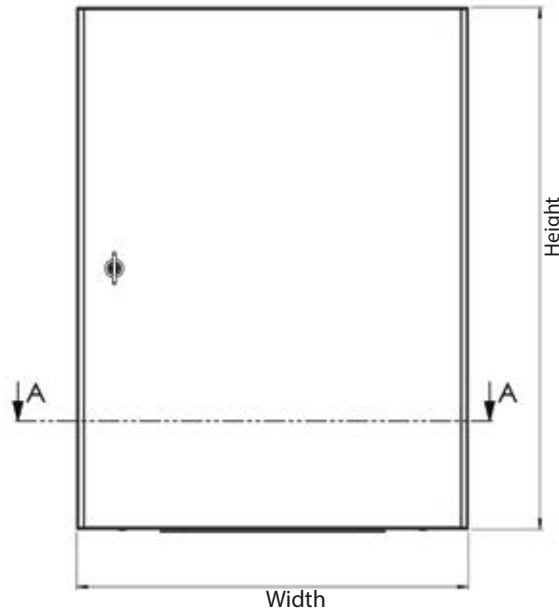
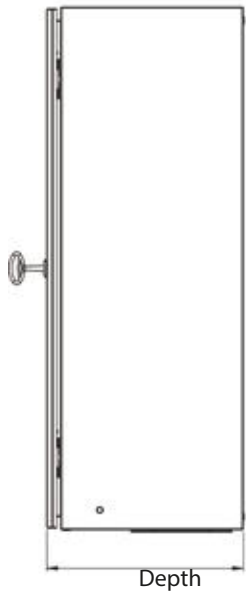


Lid with a cast gasket

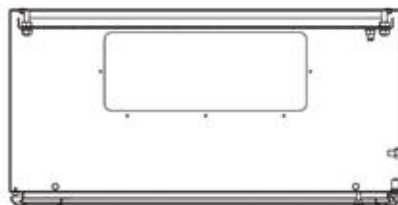
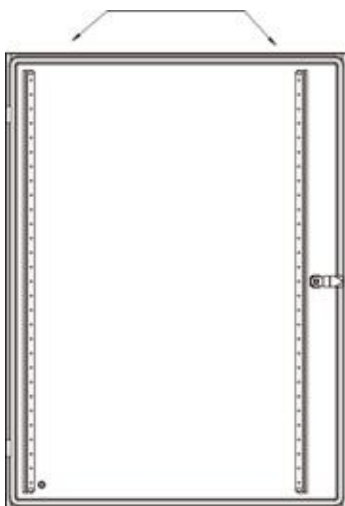


Foam

Section B-B



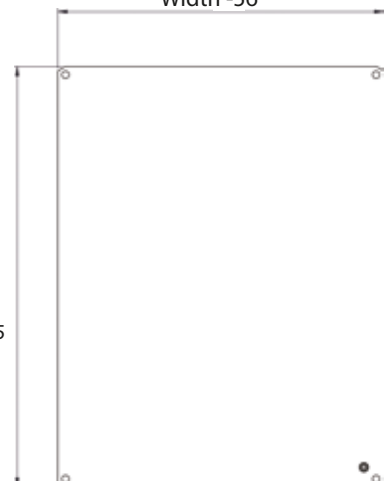
Doors - view from the inside

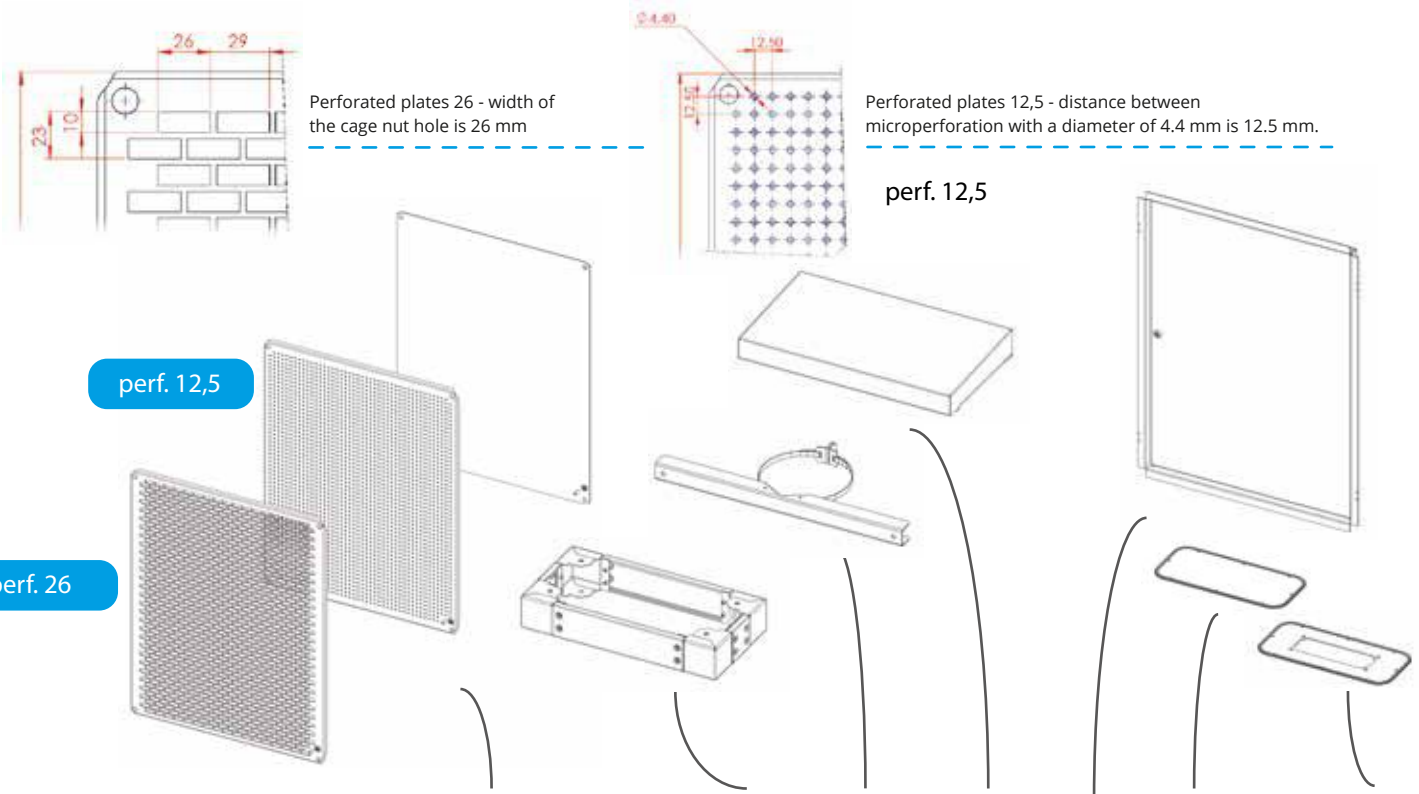


Galvanized mounting plate
sheet thickness - 2mm

Width -56

Height - 25





TYPE/ CAT. NO.	Dimensions: [W/H/D]	Number of doors	Mounting plate			Plinth	Pool bracket	Roof cover	Internal door	Bottom cover	
			full	perf. 26	perf. 12,5					full	with a multigate cut-out
RH 231	200x300x150	1	standard	RH230-020	RH230-030	x	RH200-100	RH201-200	RH230-410	RH-DM	x
RH 321	300x200x150	1	standard	RH320-020	RH320-030	x	RH300-100	RH301-200	RH320-410	RH-DM	RH-DS-M
RH 331	300x300x150	1	standard	RH330-020	RH330-030	x	RH300-100	RH301-200	RH330-410	RH-DM	RH-DS-M
RH 332	300x300x210	1	standard	RH230-020	RH230-030	x	RH300-100	RH302-200	RH230-410	RH-DM	RH-DS-M
RH 341	300x400x150	1	standard	RH340-020	RH340-030	x	RH300-100	RH301-200	RH340-410	RH-DM	RH-DS-M
RH 342	300x400x210	1	standard	RH340-020	RH340-030	x	RH300-100	RH302-200	RH340-410	RH-DM	RH-DS-M
RH 352	300x500x210	1	standard	RH450-020	RH450-030	x	RH300-100	RH302-200	RH450-410	RH-DM	RH-DS-M
RH 431	400x300x150	1	standard	RH430-020	RH430-030	x	RH400-100	RH401-200	RH430-410	RH-DS	RH-DS-M
RH 432	400x300x210	1	standard	RH430-020	RH430-030	x	RH400-100	RH402-200	RH430-410	RH-DS	RH-DS-M
RH 442	400x400x210	1	standard	RH440-020	RH440-030	x	RH400-100	RH402-200	RH440-410	RH-DS	RH-DS-M
RH 443	400x400x300	1	standard	RH440-020	RH440-030	x	RH400-100	RH403-200	RH440-410	RH-DSZ	RH-DSZ-M
RH 452	400x500x210	1	standard	RH450-020	RH450-030	x	RH400-100	RH402-200	RH450-410	RH-DSZ	RH-DSZ-M
RH 453	400x500x300	1	standard	RH450-020	RH450-030	x	RH400-100	RH402-200	RH450-410	RH-DSZ	RH-DSZ-M
RH 462	400x600x210	1	standard	RH460-020	RH460-030	x	RH400-100	RH402-200	RH460-410	RH-DSZ	RH-DSZ-M
RH 462.5	400x600x250	1	standard	RH460-020	RH460-030	x	RH400-100	RH402-200	RH460-410	RH-DSZ	RH-DSZ-M
RH 463	400x600x300	1	standard	RH460-020	RH460-030	x	RH400-100	RH403-200	RH460-410	RH-DSZ	RH-DSZ-M
RH 542	500x400x200	1	standard	RH540-020	RH540-030	x	RH500-100	RH502-200	RH540-410	RH-DSZ	RH-DSZ-M
RH 543	500x400x300	1	standard	RH540-020	RH540-030	x	RH500-100	RH503-200	RH540-410	RH-DSZ	RH-DSZ-M
RH 552	500x500x210	1	standard	RH550-020	RH550-030	x	RH500-100	RH502-200	RH550-410	RH-DSZ	RH-DSZ-M
RH 552.5	500x500x250	1	standard	RH550-020	RH550-030	x	RH500-100	RH502-200	RH550-410	RH-DSZ	RH-DSZ-M
RH 553	500x500x310	1	standard	RH550-020	RH550-030	x	RH500-100	RH503-200	RH550-410	RH-DSZ	RH-DSZ-M
RH 562	500x600x210	1	standard	RH560-020	RH560-030	x	RH500-100	RH502-200	RH560-410	RH-DSZ	RH-DSZ-M
RH 563	500x600x300	1	standard	RH560-020	RH560-030	x	RH500-100	RH503-200	RH560-410	RH-DSZ	RH-DSZ-M
RH 642	600x400x210	1	standard	RH640-020	RH640-030	x	RH600-100	RH602-200	RH640-410	RH-DD	RH-DD-M
RH 643	600x400x300	1	standard	RH640-020	RH640-030	x	RH600-100	RH603-200	RH640-410	RH-DD	RH-DD-M
RH 652	600x500x210	1	standard	RH650-020	RH650-030	x	RH600-100	RH602-200	RH650-410	RH-DD	RH-DD-M
RH 653	600x500x300	1	standard	RH650-020	RH650-030	x	RH600-100	RH603-200	RH650-410	RH-DD	RH-DD-M

Industrial cabinet

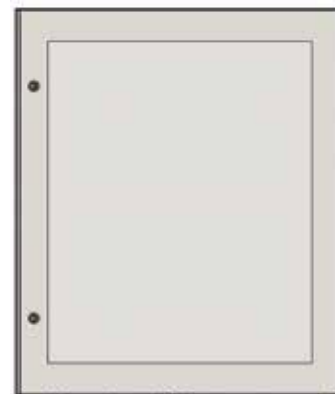
Dimensions

RH

Glass door for RH enclosures

Enclosure type	Dimensions: [W/H/D]	Doors catalogue code
RH 44x	400x400x any	DS-RH-44
RH 45x	400x500x any	DS-RH-45
RH 46x	400x600x any	DS-RH-46
RH 55x	500x500x any	DS-RH-55
RH 56x	500x600x any	DS-RH-56
RH 610x	600x1000x any	DS-RH-610
RH 64x	600x400x any	DS-RH-64
RH 66x	600x600x any	DS-RH-66
RH 68x	600x800x any	DS-RH-68
RH 810x	800x1000x any	DS-RH-810
RH 816x	800x1600x any	DS-RH-816
RH 86x	800x600x any	DS-RH-86
RH 88x	800x800x any	DS-RH-88
RH 1012x	1000x1200x any	DS-RH-1012

Glass doors for RH cabinets tempered glass

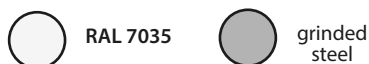


Mounting brackets as standard

TYPE/ CAT. NO.	dimensions: [W/H/D]	Number of doors	Mounting plate			Plinth 100/200	Pole bracket	Roof cover	Internal doors	Bottom cover	
			full	perf. 26	perf. 12,5					full	with a multigate cut-out
RH 662	600x600x210	1	stand.	RH660-020	RH660-030	x	RH600-100	RH602-200	RH660-410	RH-DD	RH-DD-M
RH 662.5	600x600x250	1	stand.	RH660-020	RH660-030	x	RH600-100	RH602-200	RH660-410	RH-DD	RH-DD-M
RH 663	600x600x300	1	stand.	RH660-020	RH660-030	x	RH600-100	RH603-200	RH660-410	RH-DD	RH-DD-M
RH 682	600x800x210	1	stand.	RH680-020	RH680-030	x	RH600-100	RH602-200	RH680-410	RH-DD	RH-DD-M
RH 682.5	600x800x250	1	stand.	RH680-020	RH680-030	x	RH600-100	RH602-200	RH680-410	RH-DD	RH-DD-M
RH 683	600x800x300	1	stand.	RH680-020	RH680-030	COK-062.8-100 COK-062.8-200	RH600-100	RH603-200	RH680-410	RH-DD	RH-DD-M
RH 684	600x800x400	1	stand.	RH680-020	RH680-030	COK-063.8-100 COK-063.8-200	RH600-100	RH604-200	RH680-410	2xRH-DSZ	2xRH-DSZ-M
RH 862	800x600x210	1	stand.	RH860-020	RH860-030	x	RH800-100	RH802-200	RH860-410	2xRH-DSZ	2xRH-DSZ-M
RH 863	800x600x300	1	stand.	RH860-020	RH860-030	COK-082.8-100 COK-082.8-200	RH800-100	RH803-200	RH860-410	2xRH-DSZ	2xRH-DSZ-M
RH 882	800x800x210	1	stand.	RH880-020	RH880-030	x	RH800-100	RH802-200	RH880-410	2xRH-DSZ	2xRH-DSZ-M
RH 882.5	800x800x250	1	stand.	RH880-020	RH880-030	x	RH800-100	RH802-200	RH880-410	2xRH-DSZ	2xRH-DSZ-M
RH 883	800x800x300	1	stand.	RH880-020	RH880-030	COK-082.8-100 COK-082.8-200	RH800-100	RH803-200	RH880-410	2xRH-DSZ	2xRH-DSZ-M
RH-6103	600x1000x300	1	stand.	RH6100-020	RH6100-020	COK-062.8-100 COK-062.8-200	RH600-100	RH603-200	RH6100-410	2xRH-DSZ	2xRH-DSZ-M
RH-6123	600x1200x300	1	stand.	RH6120-020	RH6120-020	COK-062.8-100 COK-062.8-200	RH600-100	RH603-200	RH6120-410	RH-DD	RH-DD-M
RH-6143	600x1400x300	1	stand.	RH6140-020	RH6140-020	COK-062.8-100 COK-062.8-200	RH600-100	RH603-200	RH6140-410	2xRH-DSZ	2xRH-DSZ-M
RH-6183	600x1800x300	1	stand.	RH6180-020	RH6180-020	COK-062.8-100 COK-062.8-200	RH800-100	RH603-200	RH6180-410	2xRH-DSZ	2xRH-DSZ-M
RH-8102	800x1000x210	1	stand.	RH8100-020	RH8100-020	x	RH800-100	RH802-200	RH8100-410	2xRH-DSZ	2xRH-DSZ-M
RH-8102.5	800x1000x250	1	stand.	RH8100-020	RH8100-020	x	RH800-100	RH802-200	RH8100-410	2xRH-DSZ	2xRH-DSZ-M
RH-8103	800x1000x300	1	stand.	RH8100-020	RH8100-020	COK-082.8-100 COK-082.8-200	RH800-100	RH803-200	RH8100-410	2xRH-DSZ	2xRH-DSZ-M
RH-8123	800x1200x300	1	stand.	RH8120-020	RH8120-020	COK-082.8-100 COK-082.8-200	RH800-100	RH803-200	RH8120-410	2xRH-DSZ	2xRH-DSZ-M
RH-8143	800x1400x300	1	stand.	RH8140-020	RH8140-020	COK-082.8-100 COK-082.8-200	RH800-100	RH803-200	RH8140-410	2xRH-DSZ	2xRH-DSZ-M
RH-8163	800x1600x300	1	stand.	RH8160-020	RH8160-020	COK-082.8-100 COK-082.8-200	RH800-100	RH803-200	RH8160-410	2xRH-DSZ	2xRH-DSZ-M
RH-8184	800x1800x400	1	stand.	RH8180-020	RH8180-020	COK-083.8-100 COK-083.8-200	RH800-100	RH804-200	RH8180-410	2xRH-DSZ	2xRH-DSZ-M
RH-1083	1000x800x300	2	stand.	RH1080-020	RH1080-020	COK-102.8-100 COK-102.8-200	RH1000-100	RH1003-200	RH10120-410	2xRH-DSZ	2xRH-DSZ-M
RH-10123	1000x1200x300	2	stand.	RH10120-020	RH10120-020	COK-102.8-100 COK-102.8-200	RH1000-100	RH1003-200	RH10120-410	2xRH-DSZ	2xRH-DSZ-M
RH-10124	1000x1200x400	2	stand.	RH10120-020	RH10120-020	COK-103.8-100 COK-103.8-200	RH1000-100	RH1004-200	RH10120-410	2xRH-DSZ	2xRH-DSZ-M
RH-10143	1000x1400x300	2	stand.	RH10140-020	RH10140-020	COK-102.8-100 COK-102.8-200	RH1000-100	RH1003-200	RH10140-410	2xRH-DSZ	2xRH-DSZ-M
RH-10183	1000x1800x300	2	stand.	RH10180-020	RH10180-020	COK-102.8-100 COK-102.8-200	RH1000-100	RH1003-200	RH10180-410	2xRH-DSZ	2xRH-DSZ-M
RH-8104	800x1000x400	1	stand.	RH8100-020	RH810-020	x	RH800-100	RH804-200	RH8100-410	2xRH-DSZ	2xRH-DSZ-M



Optionally: stainless steel lock
Code: ZAMEK-SS-J45



Application:

Metal enclosures that can be used in both industrial sector and as meter or modular enclosure. The high degree of protection ensures proper operation of devices mounted inside the cabinet.

Construction of the cabinet ensures tightness and protection of electrical devices from dust & water.

Standard equipment:

Lock and a key, mounting plate, screws & caps kit, washer, yellow-green protective wire, stickers set, round plastic plugs.

Technical characteristics:

Continuous Current Rating:	In < 100A
Nominal switching voltage:	Un = 400V
Rated insulation voltage:	Ui = 500V
Protection class:	I
Protection rating:	IP65

Assembly: universal mounting

Characteristics:

Stainless steel sheet, grade 304, grinded or painted. Versatile mounting of the doors (right side/ left side). Made of 1.5mm or 2mm sheet depending on the size.

Can be made of 316 stainless steel or steel of different thickness on request.

Industrial cabinet dimensions

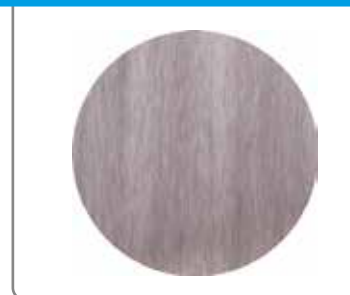
RH SS

RAL 7035	Grinded steel	Mounting plate			Number of doors
		width: mm.	height: mm.	depth: mm.	
RH-231-SS-7035	RH-231-SS	200	300	150	1
RH-321-SS-7035	RH-321-SS	300	200	150	1
RH-331-SS-7035	RH-331-SS	300	300	150	1
RH-332-SS-7035	RH-332-SS	300	300	210	1
RH-341-SS-7035	RH-341-SS	300	400	150	1
RH-342-SS-7035	RH-342-SS	300	400	210	1
RH-352-SS-7035	RH-352-SS	300	500	210	1
RH-431-SS-7035	RH-431-SS	400	300	150	1
RH-432-SS-7035	RH-432-SS	400	300	210	1
RH-442-SS-7035	RH-442-SS	400	400	210	1
RH-443-SS-7035	RH-443-SS	400	400	300	1
RH-452-SS-7035	RH-452-SS	400	500	210	1
RH-462-SS-7035	RH-462-SS	400	600	210	1
RH-463-SS-7035	RH-463-SS	400	600	300	1
RH-542-SS-7035	RH-542-SS	500	400	210	1
RH-543-SS-7035	RH-543-SS	500	400	300	1
RH-552-SS-7035	RH-552-SS	500	500	210	1
RH-553-SS-7035	RH-553-SS	500	500	300	1
RH-562-SS-7035	RH-562-SS	500	600	210	1
RH-563-SS-7035	RH-563-SS	500	600	300	1
RH-642-SS-7035	RH-642-SS	600	400	210	1
RH-643-SS-7035	RH-643-SS	600	400	300	1
RH-662-SS-7035	RH-662-SS	600	600	210	1
RH-663-SS-7035	RH-663-SS	600	600	300	1
RH-682-SS-7035	RH-682-SS	600	800	210	1
RH-683-SS-7035	RH-683-SS	600	800	300	1
RH-684-SS-7035	RH-684-SS	600	800	400	1
RH-862-SS-7035	RH-862-SS	800	600	210	1
RH-863-SS-7035	RH-863-SS	800	600	300	1
RH-882-SS-7035	RH-882-SS	800	800	210	1
RH-883-SS-7035	RH-883-SS	800	800	300	1
RH-6103-SS-7035	RH-6103-SS	600	1000	300	1
RH-6123-SS-7035	RH-6123-SS	600	1200	300	1
RH-6143-SS-7035	RH-6143-SS	600	1400	300	1
RH-6183-SS-7035	RH-6183-SS	600	1800	300	1
RH-8102-SS-7035	RH-8102-SS	800	1000	210	1
RH-8103-SS-7035	RH-8103-SS	800	1000	300	1
RH-8123-SS-7035	RH-8123-SS	800	1200	300	1
RH-8143-SS-7035	RH-8143-SS	800	1400	300	1
RH-8163-SS-7035	RH-8163-SS	800	1600	300	1
RH-8184-SS-7035	RH-8184-SS	800	1800	400	1
RH-1083-SS-7035	RH-1083-SS	1000	800	300	2
RH-10123-SS-7035	RH-10123-SS	1000	1200	300	2
RH-10143-SS-7035	RH-10143-SS	1000	1400	300	2

Stainless steel, ground

Features:

- aesthetic look
- dedicated to food industry and others



Stainless steel painted

Features:

- an economical solution for products made of stainless steel
- aesthetic look



RH SS - 250 mm depth

RAL 7035	Grinded steel	Dimensions			Number of doors
		width: mm	height: mm	depth: mm.	
RH-552.5-SS-7035	RH-552.5-SS	500	500	250	1
RH-462.5-SS-7035	RH-462.5-SS	400	600	250	1
RH-662.5-SS-7035	RH-662.5-SS	600	600	250	1
RH-682.5-SS-7035	RH-682.5-SS	600	800	250	1
RH-882.5-SS-7035	RH-882.5-SS	800	800	250	1
RH-8102.5-SS-7035	RH-8102.5-SS	800	1000	250	1

We manufacture painted stainless steel cabinets
Send an inquiry to sales@sabaj.pl



Stainless steel & painted roof can be made on request

RH TWIST

Box-type control cabinet specification



Universal assembly



Indoor use



Application:

RH Twist distribution boxes can be used in the industries, where it is necessary to protect electrical equipment from moisture and dust. A high degree of protection ensures the best possible protection of equipment. Quick opening thanks to 1/4 turn screws

Equipment:

TH rail included
Mounting plate available as an option.

Technical characteristics:

Continuous Current Rating:	In < 100A
Nominal switching voltage:	Un = 400V
Rated insulation voltage:	Ui = 500V
Protection class:	I
Protection rating:	IP66

Universal mounting

Material:

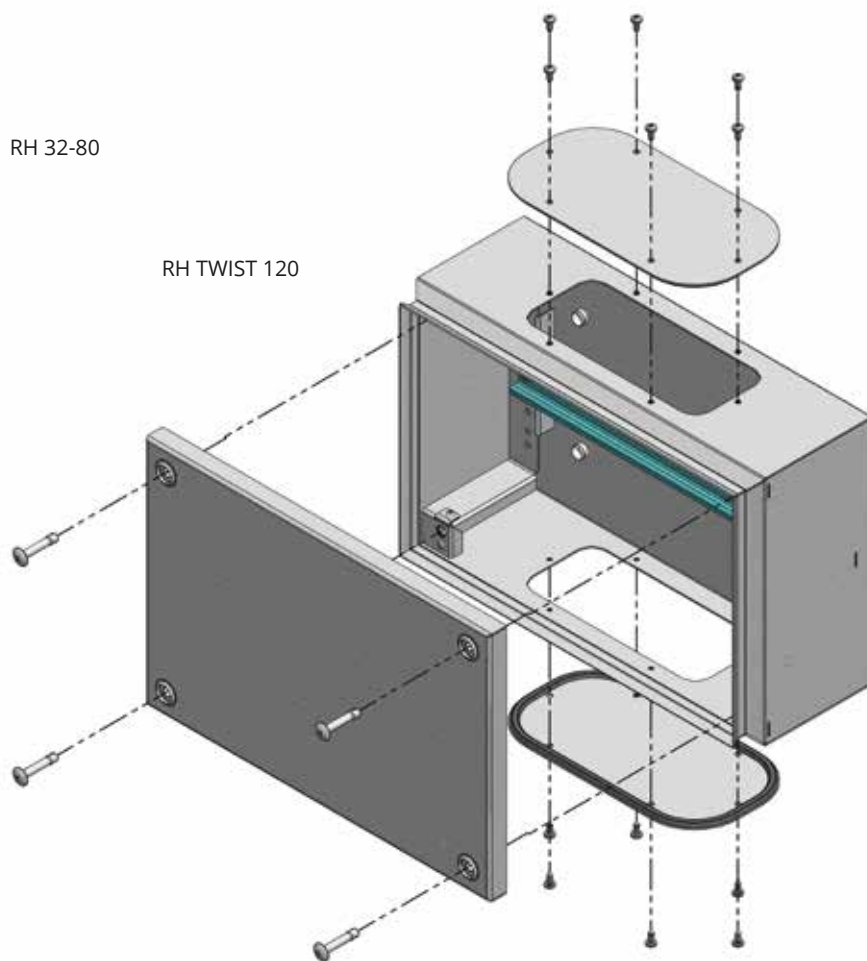
1.2 mm thick steel sheet with protective varnish coating - powder painted with RAL 7035. The cabinet door is screwed 1/4 turn.

Industrial cabinet dimensions

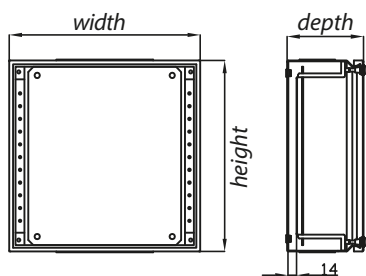
RH TWIST



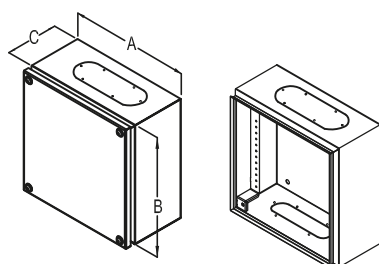
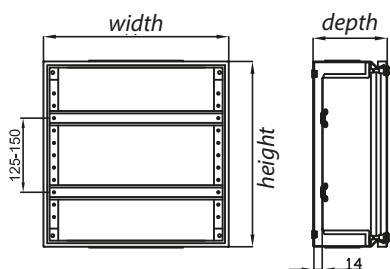
RH 32-80



RH TWIST 120



MOUNTING PLATE



TYPE/ CAT. NO.	Dimensions			Lid	Mounting plate	TH rail
	width: mm.	height: mm.	depth: mm.			
RH 32-80	300	200	80	-	TWIST-PM32	standard
RH 32-120	300	200	120	YES	TWIST-PM32	
RH 33-120	300	300	120	YES	TWIST-PM33	
RH 41-120	400	150	120	YES	TWIST-PM41	
RH 42-80	400	200	80	-	TWIST-PM42	
RH 42-120	400	200	120	YES	TWIST-PM42	
RH 43-120	400	300	120	YES	TWIST-PM43	
RH 44-120	400	400	120	YES	TWIST-PM44	
RH 52-120	500	200	120	YES	TWIST-PM52	
RH 53-120	500	300	120	YES	TWIST-PM53	
RH 62-80	600	200	80	-	TWIST-PM62	
RH 62-120	600	200	120	YES	TWIST-PM62	
RH 63-120	600	300	120	YES	TWIST-PM63	
RH 64-120	600	400	120	YES	TWIST-PM64	
RH 82-120	800	200	120	YES	TWIST-PM82	
RH 83-120	800	300	120	YES	TWIST-PM84	



RAL 7035



Universal assembly



Indoor use



Application:

Low voltage indoor enclosures with mounting plates. Perfect and economical solution for applications where dustproofness is not required.

Standard equipment:

Mounting plate, screws & caps kit, washer, yellow-green protective wire, stickers set, round plastic plugs.

Technical characteristics:

Continuous Current Rating:	In < 100A
Nominal switching voltage:	Un = 400V
Rated insulation voltage:	Ui = 500V
Protection class:	I
Protection rating:	IP31

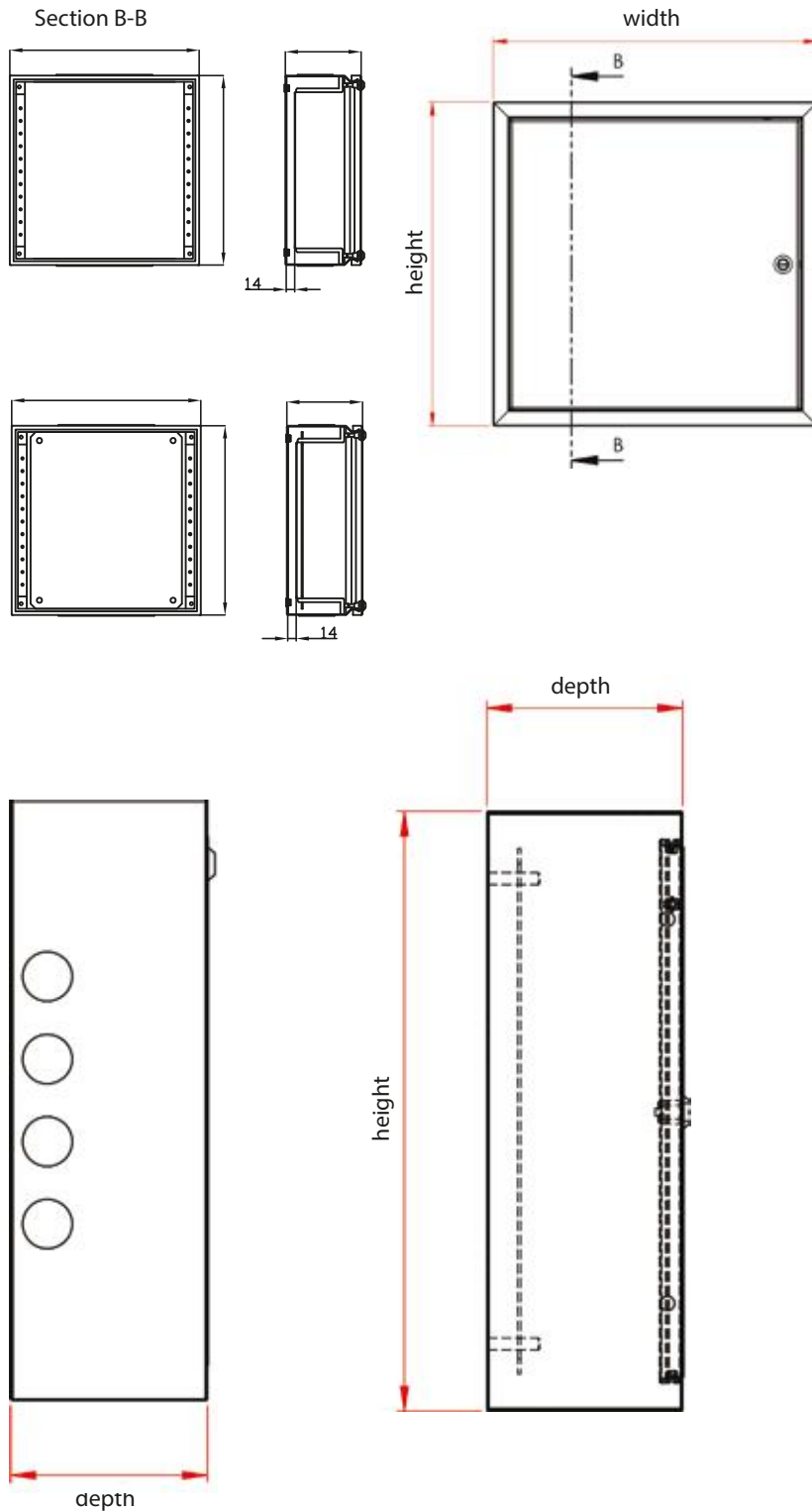
Universal mounting

Characteristics:

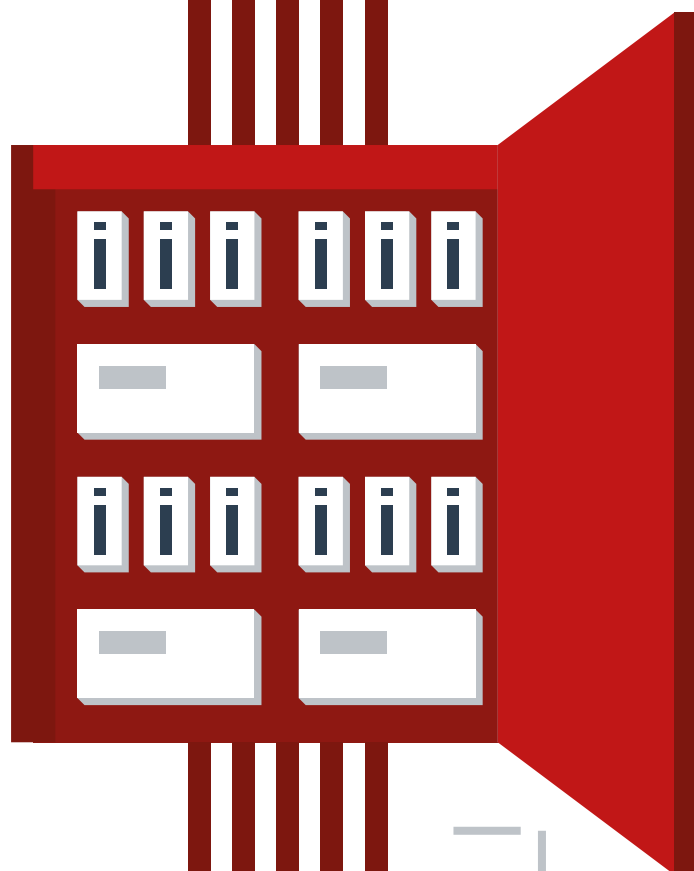
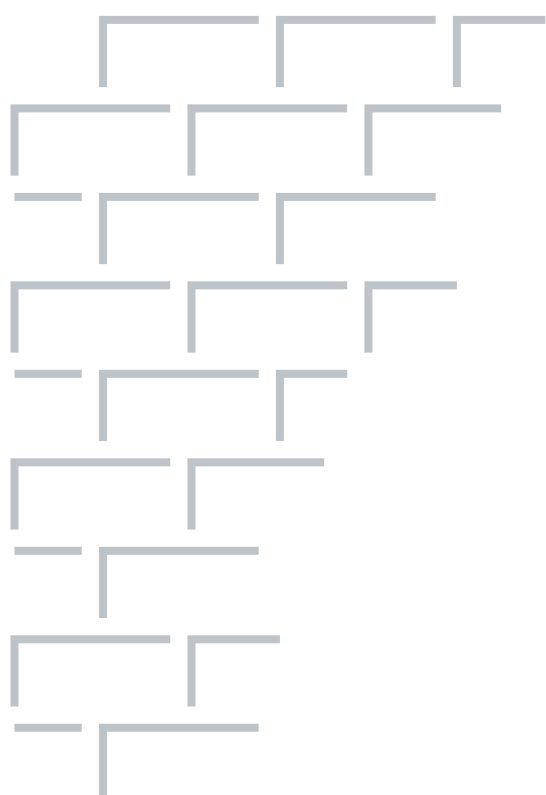
Steel sheet with a thickness of 1,2-1,5mm, with a protective varnish coating - powder painted with RAL 7035.

Industrial cabinet dimensions

NR



TYPE/ CAT. NO.	Dimensions		
	width: mm.	height: mm.	depth: mm.
NR 231	200	300	150
NR 321	300	200	150
NR 331	300	300	150
NR 332	300	300	210
NR 341	300	400	150
NR 342	300	400	210
NR 352	300	500	210
NR 431	400	300	150
NR 432	400	300	210
NR 442	400	400	210
NR 443	400	400	300
NR 452	400	500	210
NR 462	400	600	210
NR 463	400	600	300
NR 543	500	400	300
NR 552	500	500	210
NR 553	500	500	300
NR 562	500	600	210
NR 563	500	600	300
NR 642	600	400	210
NR 643	600	400	300
NR 652	600	500	210
NR 653	600	500	300
NR 662	600	600	210
NR 663	600	600	300
NR 682	600	800	210
NR 683	600	800	300
NR 684	600	800	400
NR 6103	600	1000	300
NR 6123	600	1200	300
NR 862	800	600	210
NR 863	800	600	300
NR 882	800	800	210
NR 883	800	800	300
NR 8102	800	1000	210
NR 8103	800	1000	300
NR 8104	800	1000	400
NR 8123	800	1200	300
NR 6143	600	1400	300
NR 6183	600	1800	300
NR 10123	1000	1200	300
NR 10183	1000	1800	300



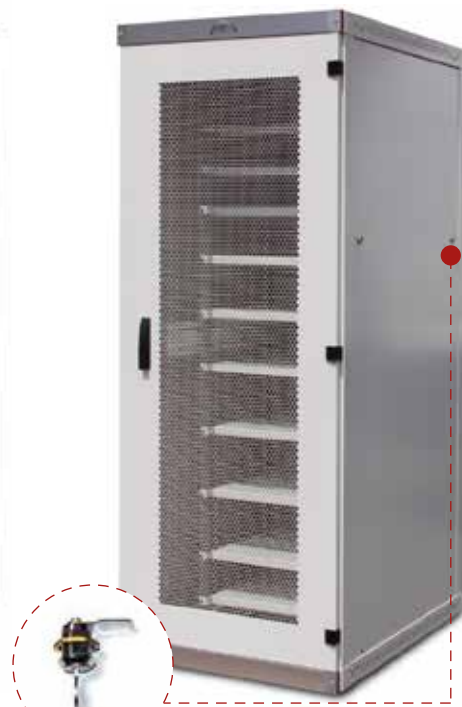
If you have any questions, write to us sales@sabaj.pl



19" & 10" CABINETS
AND ACCESSORIES



The numbering of RACK beams enables comfortable assembly



Side walls key lock available on request

Application:

ACE type cabinets are an ideal solution for installing servers, ICT systems and allover devices in 19 " standard. High durability (load capacity up to 1500 kg) and mobility (delivery in three carton packs), combined with a simple and fast assembly (manual included) allows very wide range of applications.

Characteristics:

- bolted steel frame chassis
- set of screws and locks included
- cabinets up to 800 mm in depth - 2 pairs of 19" mounting profiles
- cabinets with depth of over 800 mm - 3 pairs of 19" mounting profiles 19 "
- doors and side covers can be modified to fit customer needs
- 4-point espagnolette lock

Available colours



Delivery



Self-assembly



Supplied assembled
(cost of assembly not included in product price)

Application



Indoor use

Protection rating

Load capacity



Full door/Glass door



80% airflow mesh door



Recommended accessories:



19" mounting profiles
p. 157



19" shelves
s. 160



Power distribution units
p. 159



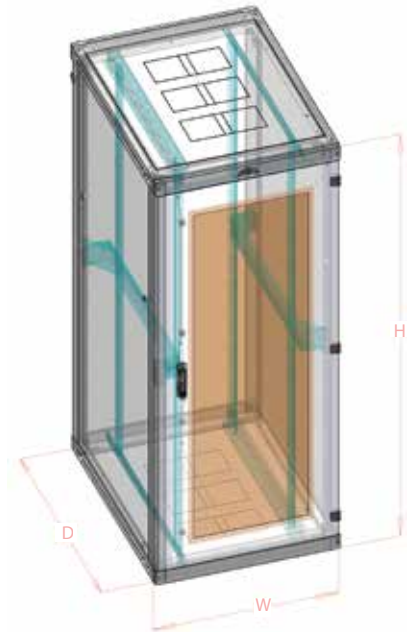
Fan units
s. 164

19" server cabinets - self-assembly

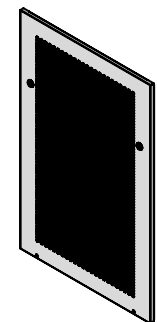
glazed front door, rear panel divided with cable entry

ACE D1

Usable height U x 44,45 MM	Dimensions (mm)			Load capacity (KG)	Usable depth (UD)	Colour		Product Code
	width	total height	depth			RAL 7035 (grey)	RAL 9005 (black)	
	W	H	D			S	C	
24U	600	1210 + 30 adjustment	890	1500	760	✓	✓	ACE19-24U-68-S-D1 ACE19-24U-68-C-D1
			1090	1500	960	✓	✓	ACE19-24U-610-S-D1 ACE19-24U-610-C-D1
	800		890	1500	760	✓	✓	ACE19-24U-88-S-D1 ACE19-24U-88-C-D1
			1090	1500	960	✓	✓	ACE19-24U-810-S-D1 ACE19-24U-810-C-D1
	1290		1500	1160	✓	✓	ACE19-24U-812-S-D1 ACE19-24U-812-C-D1	
32U	600	1565 + 30 adjustment	890	1500	760	✓	✓	ACE19-32U-68-S-D1 ACE19-32U-68-C-D1
			1090	1500	960	✓	✓	ACE19-32U-610-S-D1 ACE19-32U-610-C-D1
	800		890	1500	760	✓	✓	ACE19-32U-88-S-D1 ACE19-32U-88-C-D1
			1090	1500	960	✓	✓	ACE19-32U-810-S-D1 ACE19-32U-810-C-D1
	1290		1500	1160	✓	✓	ACE19-32U-812-S-D1 ACE19-32U-812-C-D1	
42U	600	2010 + 30 adjustment	890	1500	760	✓	✓	ACE19-42U-68-S-D1 ACE19-42U-68-C-D1
			1090	1500	960	✓	✓	ACE19-42U-610-S-D1 ACE19-42U-610-C-D1
	800		890	1500	760	✓	✓	ACE19-42U-88-S-D1 ACE19-42U-88-C-D1
			1090	1500	960	✓	✓	ACE19-42U-810-S-D1 ACE19-42U-810-C-D1
	1290		1500	1160	✓	✓	ACE19-42U-812-S-D1 ACE19-42U-812-C-D1	
45U	600	2144 + 30 adjustment	890	1500	760	✓	✓	ACE19-45U-68-S-D1 ACE19-45U-68-C-D1
			1090	1500	960	✓	✓	ACE19-45U-610-S-D1 ACE19-45U-610-C-D1
	800		890	1500	760	✓	✓	ACE19-45U-88-S-D1 ACE19-45U-88-C-D1
			1090	1500	960	✓	✓	ACE19-45U-810-S-D1 ACE19-45U-810-C-D1
	1290		1500	1160	✓	✓	ACE19-45U-812-S-D1 ACE19-45U-812-C-D1	



Rear panel



Mesh side walls
p. 173

Delivery:

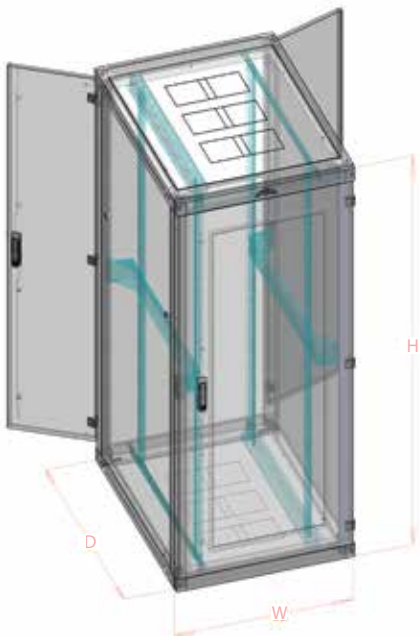


Can be
supplied
assembled

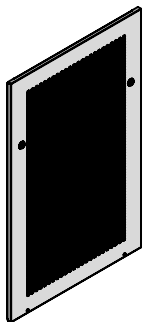
ACE D2

19" server cabinets - self-assembly

vertically divided glass door,
rear panel divided with cable entry



**47U height cabinets
available in offer**



Mesh side walls
p. 173

Delivery:



Can be
supplied
assembled

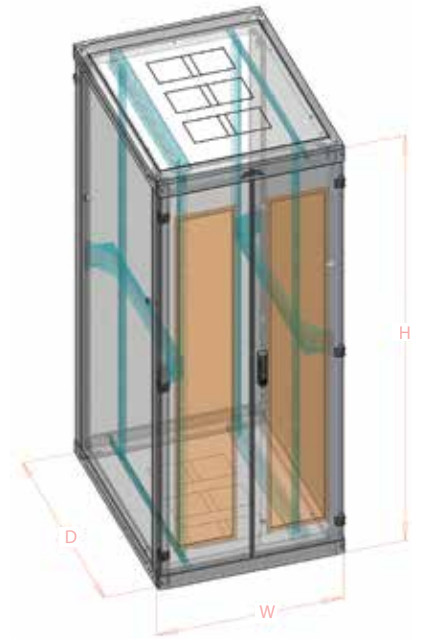
Usable height U x 44,45 MM	Dimensions (mm)			Load capacity (KG)	Usable depth (UD)	Colour		Product code
	width	total height	depth			RAL 7035 (gray)	RAL 9005 (black)	
	W	H	D			s	c	
24U	600	1210 + 30 adjustment	890	1500	760	✓	✓	ACE19-24U-68-S-D2 ACE19-24U-68-C-D2
			1090	1500	960	✓	✓	ACE19-24U-610-S-D2 ACE19-24U-610-C-D2
	890		1500	760	✓	✓	ACE19-24U-88-S-D2 ACE19-24U-88-C-D2	
	1090		1500	960	✓	✓	ACE19-24U-810-S-D2 ACE19-24U-810-C-D2	
	1290		1500	1160	✓	✓	ACE19-24U-812-S-D2 ACE19-24U-812-C-D2	
	800		890	1500	760	✓	✓	ACE19-32U-68-S-D2 ACE19-32U-68-C-D2
32U	600	1565 + 30 adjustment	1090	1500	960	✓	✓	ACE19-32U-610-S-D2 ACE19-32U-610-C-D2
			890	1500	760	✓	✓	ACE19-32U-88-S-D2 ACE19-32U-88-C-D2
	1090		1500	960	✓	✓	ACE19-32U-810-S-D2 ACE19-32U-810-C-D2	
	1290		1500	1160	✓	✓	ACE19-32U-812-S-D2 ACE19-32U-812-C-D2	
	800		890	1500	760	✓	✓	ACE19-42U-68-S-D2 ACE19-42U-68-C-D2
	42U		600	2010 + 30 adjustment	1090	1500	960	✓
890		1500			760	✓	✓	ACE19-42U-88-S-D2 ACE19-42U-88-C-D2
1090		1500	960		✓	✓	ACE19-42U-810-S-D2 ACE19-42U-810-C-D2	
1290		1500	1160		✓	✓	ACE19-42U-812-S-D2 ACE19-42U-812-C-D2	
800		890	1500		760	✓	✓	ACE19-45U-68-S-D2 ACE19-45U-68-C-D2
45U		600	2144 + 30 adjustment		1090	1500	960	✓
	890			1500	760	✓	✓	ACE19-45U-88-S-D2 ACE19-45U-88-C-D2
	1090	1500		960	✓	✓	ACE19-45U-810-S-D2 ACE19-45U-810-C-D2	
	1290	1500		1160	✓	✓	ACE19-45U-812-S-D2 ACE19-45U-812-C-D2	

19" server cabinets - self-assembly

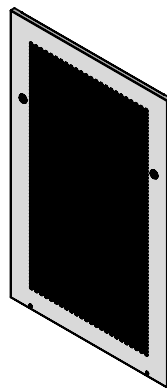
vertically divided glass door,
rear panel divided with cable entry

ACE D3

Usable height U x 44,45 MM	Dimensions (mm)			Load capacity (KG)	Usable depth (UD)	Colour		Product Code
	width	total height	depth			RAL 7035 (gray)	RAL 9005 (black)	
	W	H	D			S	C	
24U	800	1210 + 30 adjustment	890	1500	760	✓	✓	ACE19-24U-88-S-D3 ACE19-24U-88-C-D3
			1090	1500	960	✓	✓	ACE19-24U-810-S-D3 ACE19-24U-810-C-D3
			1290	1500	1160	✓	✓	ACE19-24U-812-S-D3 ACE19-24U-812-C-D3
		1565 + 30 adjustment	890	1500	760	✓	✓	ACE19-32U-88-S-D3 ACE19-32U-88-C-D3
			1090	1500	960	✓	✓	ACE19-32U-810-S-D3 ACE19-32U-810-C-D3
			1290	1500	1160	✓	✓	ACE19-32U-812-S-D3 ACE19-32U-812-C-D3
42U	800	2010 + 30 adjustment	890	1500	760	✓	✓	ACE19-42U-88-S-D3 ACE19-42U-88-C-D3
			1090	1500	960	✓	✓	ACE19-42U-810-S-D3 ACE19-42U-810-C-D3
			1290	1500	1160	✓	✓	ACE19-42U-812-S-D3 ACE19-42U-812-C-D3
		2144 + 30 adjustment	890	1500	760	✓	✓	ACE19-45U-88-S-D3 ACE19-45U-88-C-D3
			1090	1500	960	✓	✓	ACE19-45U-810-S-D3 ACE19-45U-810-C-D3
			1290	1500	1160	✓	✓	ACE19-45U-812-S-D3 ACE19-45U-812-C-D3



Rear panel



Mesh side walls
P. 173

Delivery:

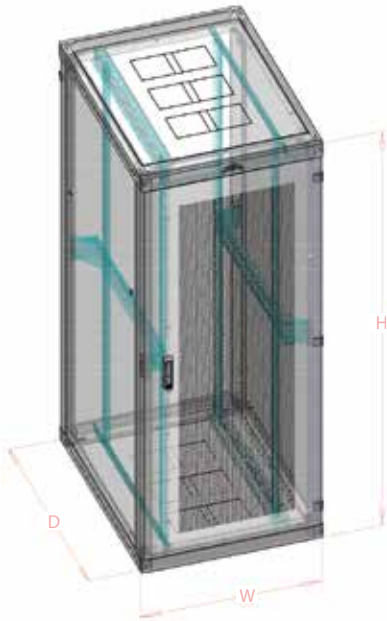


Can be
supplied
assembled

ACE S1

19" server cabinets - self-assembly

perforated sheet steel front door 80%,
rear panel divided and perforated 80%



Rear panel

Mesh side walls
p. 173



PERFORATION min 80%



Delivery:



Can be
supplied
assembled

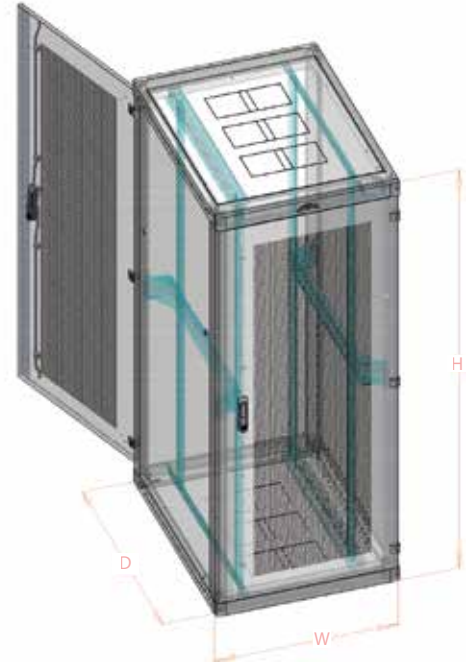
Usable height U x 44,45 MM	Dimensions (mm)			Load capacity (KG)	Usable depth (UD)	Colour		Product code
	width	total height	depth			RAL 7035 (gray)	RAL 9005 (black)	
	W	H	D			S	C	
24U	600	1210 + 30 adjustment	890	1500	760	<input checked="" type="checkbox"/>	<input checked="" type="checkbox"/>	ACE19-24U-68-S-S1 ACE19-24U-68-C-S1
			1090	1500	960	<input checked="" type="checkbox"/>	<input checked="" type="checkbox"/>	ACE19-24U-610-S-S1 ACE19-24U-610-C-S1
			890	1500	760	<input checked="" type="checkbox"/>	<input checked="" type="checkbox"/>	ACE19-24U-88-S-S1 ACE19-24U-88-C-S1
	800		1090	1500	960	<input checked="" type="checkbox"/>	<input checked="" type="checkbox"/>	ACE19-24U-810-S-S1 ACE19-24U-810-C-S1
			1290	1500	1160	<input checked="" type="checkbox"/>	<input checked="" type="checkbox"/>	ACE19-24U-812-S-S1 ACE19-24U-812-C-S1
			890	1500	760	<input checked="" type="checkbox"/>	<input checked="" type="checkbox"/>	ACE19-32U-68-S-S1 ACE19-32U-68-C-S1
32U	600	1565 + 30 adjustment	1090	1500	960	<input checked="" type="checkbox"/>	<input checked="" type="checkbox"/>	ACE19-32U-610-S-S1 ACE19-32U-610-C-S1
			890	1500	760	<input checked="" type="checkbox"/>	<input checked="" type="checkbox"/>	ACE19-32U-88-S-S1 ACE19-32U-88-C-S1
			1090	1500	960	<input checked="" type="checkbox"/>	<input checked="" type="checkbox"/>	ACE19-32U-810-S-S1 ACE19-32U-810-C-S1
	800		1290	1500	1160	<input checked="" type="checkbox"/>	<input checked="" type="checkbox"/>	ACE19-32U-812-S-S1 ACE19-32U-812-C-S1
			890	1500	760	<input checked="" type="checkbox"/>	<input checked="" type="checkbox"/>	ACE19-42U-68-S-S1 ACE19-42U-68-C-S1
			1090	1500	960	<input checked="" type="checkbox"/>	<input checked="" type="checkbox"/>	ACE19-42U-610-S-S1 ACE19-42U-610-C-S1
42U	600	2010 + 30 adjustment	890	1500	760	<input checked="" type="checkbox"/>	<input checked="" type="checkbox"/>	ACE19-42U-88-S-S1 ACE19-42U-88-C-S1
			1090	1500	960	<input checked="" type="checkbox"/>	<input checked="" type="checkbox"/>	ACE19-42U-810-S-S1 ACE19-42U-810-C-S1
			890	1500	760	<input checked="" type="checkbox"/>	<input checked="" type="checkbox"/>	ACE19-45U-68-S-S1 ACE19-45U-68-C-S1
	800		1090	1500	960	<input checked="" type="checkbox"/>	<input checked="" type="checkbox"/>	ACE19-45U-610-S-S1 ACE19-45U-610-C-S1
			890	1500	760	<input checked="" type="checkbox"/>	<input checked="" type="checkbox"/>	ACE19-45U-88-S-S1 ACE19-45U-88-C-S1
			1090	1500	960	<input checked="" type="checkbox"/>	<input checked="" type="checkbox"/>	ACE19-45U-810-S-S1 ACE19-45U-810-C-S1
45U	600	2144 + 30 adjustment	1290	1500	1160	<input checked="" type="checkbox"/>	<input checked="" type="checkbox"/>	ACE19-45U-812-S-S1 ACE19-45U-812-C-S1
			890	1500	760	<input checked="" type="checkbox"/>	<input checked="" type="checkbox"/>	ACE19-45U-812-S-S1 ACE19-45U-812-C-S1
			1090	1500	960	<input checked="" type="checkbox"/>	<input checked="" type="checkbox"/>	ACE19-45U-812-S-S1 ACE19-45U-812-C-S1

19" server cabinets - self-assembly

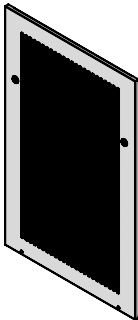
perforated sheet steel front door 80%,
perforated rear door panel divided and perforated 80%

ACE S2

Usable height U x 44,45 MM	Dimensions (mm)			Load capacity (KG)	Usable depth UD	Colour		Product code
	width	total height	depth			RAL 7035 (gray)	RAL 9005 (black)	
	W	H	D			S	C	
24U	600	1210 + 30 adjustment	890	1500	760	☑	☑	ACE19-24U-68-S-S2 ACE19-24U-68-C-S2
			1090	1500	960	☑	☑	ACE19-24U-610-S-S2 ACE19-24U-610-C-S2
	800		890	1500	760	☑	☑	ACE19-24U-88-S-S2 ACE19-24U-88-C-S2
			1090	1500	960	☑	☑	ACE19-24U-810-S-S2 ACE19-24U-810-C-S2
	1290		1500	1160	☑	☑	ACE19-24U-812-S-S2 ACE19-24U-812-C-S2	
32U	600	1565 + 30 adjustment	890	1500	760	☑	☑	ACE19-32U-68-S-S2 ACE19-32U-68-C-S2
			1090	1500	960	☑	☑	ACE19-32U-610-S-S2 ACE19-32U-610-C-S2
	800		890	1500	760	☑	☑	ACE19-32U-88-S-S2 ACE19-32U-88-C-S2
			1090	1500	960	☑	☑	ACE19-32U-810-S-S2 ACE19-32U-810-C-S2
	1290		1500	1160	☑	☑	ACE19-32U-812-S-S2 ACE19-32U-812-C-S2	
42U	600	2010 + 30 adjustment	890	1500	760	☑	☑	ACE19-42U-68-S-S2 ACE19-42U-68-C-S2
			1090	1500	960	☑	☑	ACE19-42U-610-S-S2 ACE19-42U-610-C-S2
	800		890	1500	760	☑	☑	ACE19-42U-88-S-S2 ACE19-42U-88-C-S2
			1090	1500	960	☑	☑	ACE19-42U-810-S-S2 ACE19-42U-810-C-S2
	1290		1500	1160	☑	☑	ACE19-42U-812-S-S2 ACE19-42U-812-C-S2	
45U	600	2144 + 30 adjustment	890	1500	760	☑	☑	ACE19-45U-68-S-S2 ACE19-45U-68-C-S2
			1090	1500	960	☑	☑	ACE19-45U-610-S-S2 ACE19-45U-610-C-S2
	800		890	1500	760	☑	☑	ACE19-45U-88-S-S2 ACE19-45U-88-C-S2
			1090	1500	960	☑	☑	ACE19-45U-810-S-S2 ACE19-45U-810-C-S2
	1290		1500	1160	☑	☑	ACE19-45U-812-S-S2 ACE19-45U-812-C-S2	



**47U height cabinets
available in offer.**



Mesh side walls
p. 173



PERFORATION min 80%



Delivery:

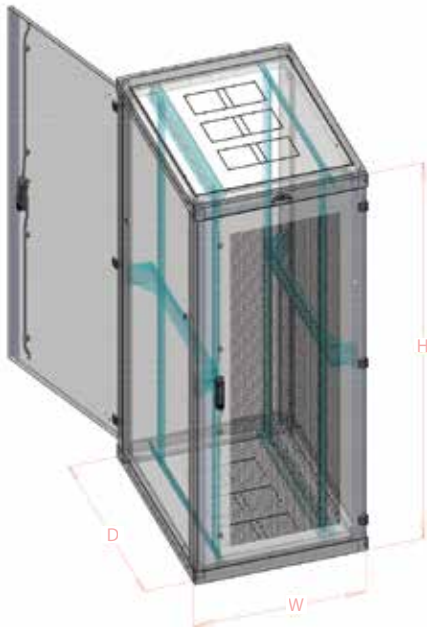


Can be
supplied
assembled

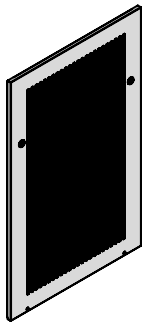
ACE S3

19" server cabinets - self-assembly

perforated sheet steel front door 80%,
sheet steel rear door



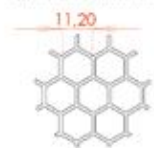
47U height cabinets available in offer.



Mesh side walls
p. 173



PERFORATION min 80%



Delivery:



Can be
supplied
assembled

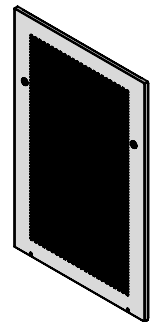
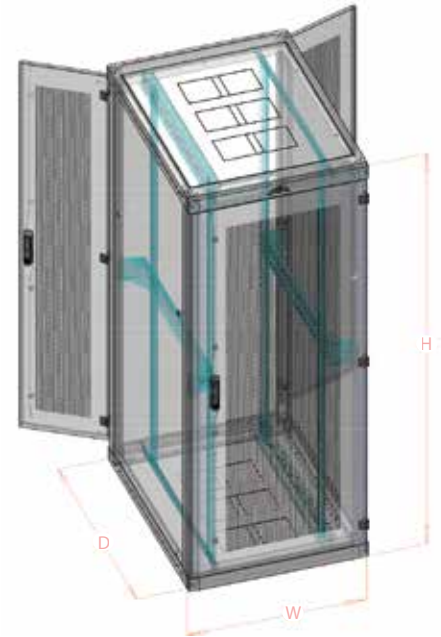
Usable height U x 44,45 MM	Dimensions (mm)			Load capacity (KG)	Usable depth (UD)	Colour		Product code
	width	total height	depth			RAL 7035 (gray)	RAL 9005 (black)	
	S	W	G			S	C	
24U	600	1210 + adjustment	890	1500	760	✓	✓	ACE19-24U-68-S-S3 ACE19-24U-68-C-S3
			1090	1500	960	✓	✓	ACE19-24U-610-S-S3 ACE19-24U-610-C-S3
	800		890	1500	760	✓	✓	ACE19-24U-88-S-S3 ACE19-24U-88-C-S3
			1090	1500	960	✓	✓	ACE19-24U-810-S-S3 ACE19-24U-810-C-S3
	1290		1500	1160	✓	✓	ACE19-24U-812-S-S3 ACE19-24U-812-C-S3	
32U	600	1565 + 30 adjustment	890	1500	760	✓	✓	ACE19-32U-68-S-S3 ACE19-32U-68-C-S3
			1090	1500	960	✓	✓	ACE19-32U-610-S-S3 ACE19-32U-610-C-S3
	800		890	1500	760	✓	✓	ACE19-32U-88-S-S3 ACE19-32U-88-C-S3
			1090	1500	960	✓	✓	ACE19-32U-810-S-S3 ACE19-32U-810-C-S3
	1290		1500	1160	✓	✓	ACE19-32U-812-S-S3 ACE19-32U-812-C-S3	
42U	600	2010 + 30 adjustment	890	1500	760	✓	✓	ACE19-42U-68-S-S3 ACE19-42U-68-C-S3
			1090	1500	960	✓	✓	ACE19-42U-610-S-S3 ACE19-42U-610-C-S3
	800		890	1500	760	✓	✓	ACE19-42U-88-S-S3 ACE19-42U-88-C-S3
			1090	1500	960	✓	✓	ACE19-42U-810-S-S3 ACE19-42U-810-C-S3
	1290		1500	1160	✓	✓	ACE19-42U-812-S-S3 ACE19-42U-812-C-S3	
45U	600	2144 + 30 adjustment	890	1500	760	✓	✓	ACE19-45U-68-S-S3 ACE19-45U-68-C-S3
			1090	1500	960	✓	✓	ACE19-45U-610-S-S3 ACE19-45U-610-C-S3
	800		890	1500	760	✓	✓	ACE19-45U-88-S-S3 ACE19-45U-88-C-S3
			1090	1500	960	✓	✓	ACE19-45U-810-S-S3 ACE19-45U-810-C-S3
	1290		1500	1160	✓	✓	ACE19-45U-812-S-S3 ACE19-45U-812-C-S3	

19" server cabinets - self-assembly

perforated sheet steel front door 80%,
vertically divided perforated sheet steel door 80%

ACE S4

Usable height U x 44,45 MM	Dimensions(mm)			Load capacity (KG)	Usable depth UD	Colour		Product code
	width	total height	depth			RAL 7035 (gray)	RAL 9005 (black)	
	W	H	D			S	C	
24U	600	1210 + 30 adjustment	890	1500	760	✓	✓	ACE19-24U-68-S-S4 ACE19-24U-68-C-S4
			1090	1500	960	✓	✓	ACE19-24U-610-S-S4 ACE19-24U-610-C-S4
	800		890	1500	760	✓	✓	ACE19-24U-88-S-S4 ACE19-24U-88-C-S4
			1090	1500	960	✓	✓	ACE19-24U-810-S-S4 ACE19-24U-810-C-S4
	1290		1500	1160	✓	✓	ACE19-24U-812-S-S4 ACE19-24U-812-C-S4	
32U	600	1565 + 30 adjustment	890	1500	760	✓	✓	ACE19-32U-68-S-S4 ACE19-32U-68-C-S4
			1090	1500	960	✓	✓	ACE19-32U-610-S-S4 ACE19-32U-610-C-S4
	800		890	1500	760	✓	✓	ACE19-32U-88-S-S4 ACE19-32U-88-C-S4
			1090	1500	960	✓	✓	ACE19-32U-810-S-S4 ACE19-32U-810-C-S4
	1290		1500	1160	✓	✓	ACE19-32U-812-S-S4 ACE19-32U-812-C-S4	
42U	600	2010 + 30 adjustment	890	1500	760	✓	✓	ACE19-42U-68-S-S4 ACE19-42U-68-C-S4
			1090	1500	960	✓	✓	ACE19-42U-610-S-S4 ACE19-42U-610-C-S4
	800		890	1500	760	✓	✓	ACE19-42U-88-S-S4 ACE19-42U-88-C-S4
			1090	1500	960	✓	✓	ACE19-42U-810-S-S4 ACE19-42U-810-C-S4
	1290		1500	1160	✓	✓	ACE19-42U-812-S-S4 ACE19-42U-812-C-S4	
45U	600	2144 + 30 adjustment	890	1500	760	✓	✓	ACE19-45U-68-S-S4 ACE19-45U-68-C-S4
			1090	1500	960	✓	✓	ACE19-45U-610-S-S4 ACE19-45U-610-C-S4
	800		890	1500	760	✓	✓	ACE19-45U-88-S-S4 ACE19-45U-88-C-S4
			1090	1500	960	✓	✓	ACE19-45U-810-S-S4 ACE19-45U-810-C-S4
	1290		1500	1160	✓	✓	ACE19-45U-812-S-S4 ACE19-45U-812-C-S4	



Mesh side walls
p. 173



IP 30 Feature Available to adapt

PERFORATION min 80%



Delivery:

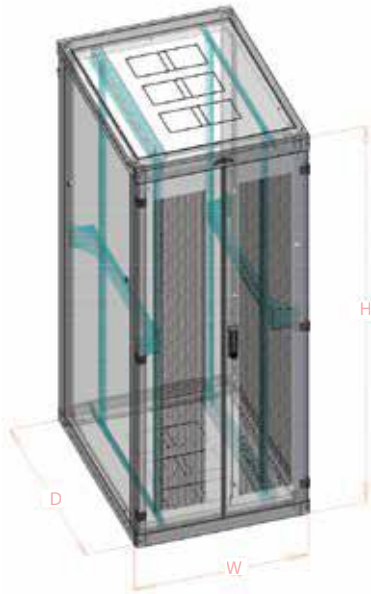


Can be
supplied
assembled

ACE S5

19" server cabinets - self-assembly

perforated sheet steel front door 80%,
rear panel divided, perforated 80%

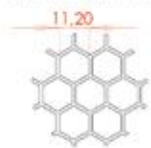


Rear panel

Mesh side walls
p. 173



PERFORATION min 80%



Delivery:



Can be
supplied
assembled

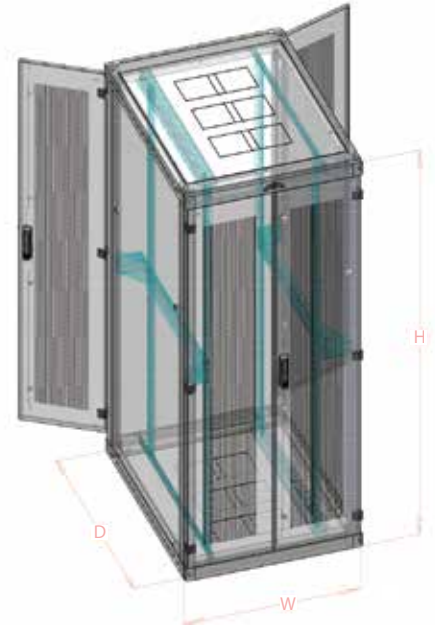
Usable height U x 44,45 MM	Dimensions(mm)			Load capacity (KG)	Usable depth UD	Colour		Product code	
	width	total height	depth			RAL 7035 (grey)	RAL 9005 (black)		
	W	H	D			S	C		
24U	600	1210 + 30 adjustment	890	1500	760	✓	✓	ACE19-24U-68-S-S5 ACE19-24U-68-C-S5	
			1090	1500	960	✓	✓	ACE19-24U-610-S-S5 ACE19-24U-610-C-S5	
	800		890	1500	760	✓	✓	ACE19-24U-88-S-S5 ACE19-24U-88-C-S5	
			1090	1500	960	✓	✓	ACE19-24U-810-S-S5 ACE19-24U-810-C-S5	
			1290	890	1500	1160	✓	✓	ACE19-24U-812-S-S5 ACE19-24U-812-C-S5
				1090	1500	1160	✓	✓	ACE19-24U-812-S-S5 ACE19-24U-812-C-S5
32U	600	1565 + 30 adjustment	890	1500	760	✓	✓	ACE19-32U-68-S-S5 ACE19-32U-68-C-S5	
			1090	1500	960	✓	✓	ACE19-32U-610-S-S5 ACE19-32U-610-C-S5	
	800		890	1500	760	✓	✓	ACE19-32U-88-S-S5 ACE19-32U-88-C-S5	
			1090	1500	960	✓	✓	ACE19-32U-810-S-S5 ACE19-32U-810-C-S5	
			1290	890	1500	1160	✓	✓	ACE19-32U-812-S-S5 ACE19-32U-812-C-S5
				1090	1500	1160	✓	✓	ACE19-32U-812-S-S5 ACE19-32U-812-C-S5
42U	600	2010 + 30 adjustment	890	1500	760	✓	✓	ACE19-42U-68-S-S5 ACE19-42U-68-C-S5	
			1090	1500	960	✓	✓	ACE19-42U-610-S-S5 ACE19-42U-610-C-S5	
	800		890	1500	760	✓	✓	ACE19-42U-88-S-S5 ACE19-42U-88-C-S5	
			1090	1500	960	✓	✓	ACE19-42U-810-S-S5 ACE19-42U-810-C-S5	
			1290	890	1500	1160	✓	✓	ACE19-42U-812-S-S5 ACE19-42U-812-C-S5
				1090	1500	1160	✓	✓	ACE19-42U-812-S-S5 ACE19-42U-812-C-S5
45U	600	2144 + 30 adjustment	890	1500	760	✓	✓	ACE19-45U-68-S-S5 ACE19-45U-68-C-S5	
			1090	1500	960	✓	✓	ACE19-45U-610-S-S5 ACE19-45U-610-C-S5	
	800		890	1500	760	✓	✓	ACE19-45U-88-S-S5 ACE19-45U-88-C-S5	
			1090	1500	960	✓	✓	ACE19-45U-810-S-S5 ACE19-45U-810-C-S5	
			1290	890	1500	1160	✓	✓	ACE19-45U-812-S-S5 ACE19-45U-812-C-S5
				1090	1500	1160	✓	✓	ACE19-45U-812-S-S5 ACE19-45U-812-C-S5

19" server cabinets - self-assembly

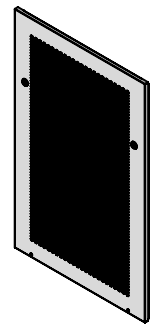
vertically divided front and rear doors perforated 80%

ACE S6

Usable height U x 44,45 MM	Dimensions(mm)			Load capacity (KG)	Usable depth UD	Colour		Product code
	width	total height	depth			RAL 7035 (gray)	RAL 9005 (black)	
	W	H	D			S	C	
24U	600	1210 + 30 adjustment	890	1500	760	✓	✓	ACE19-24U-68-S-S6 ACE19-24U-68-C-S6
			1090	1500	960	✓	✓	ACE19-24U-610-S-S6 ACE19-24U-610-C-S6
	890		1500	760	✓	✓	ACE19-24U-88-S-S6 ACE19-24U-88-C-S6	
	1090		1500	960	✓	✓	ACE19-24U-810-S-S6 ACE19-24U-810-C-S6	
	800		1290	1500	1160	✓	✓	ACE19-24U-812-S-S6 ACE19-24U-812-C-S6
32U	600	1565 + 30 adjustment	890	1500	760	✓	✓	ACE19-32U-68-S-S6 ACE19-32U-68-C-S6
			1090	1500	960	✓	✓	ACE19-32U-610-S-S6 ACE19-32U-610-C-S6
	890		1500	760	✓	✓	ACE19-32U-88-S-S6 ACE19-32U-88-C-S6	
	1090		1500	960	✓	✓	ACE19-32U-810-S-S6 ACE19-32U-810-C-S6	
	800		1290	1500	1160	✓	✓	ACE19-32U-812-S-S6 ACE19-32U-812-C-S6
42U	600	2010 + 30 adjustment	890	1500	760	✓	✓	ACE19-42U-68-S-S6 ACE19-42U-68-C-S6
			1090	1500	960	✓	✓	ACE19-42U-610-S-S6 ACE19-42U-610-C-S6
	890		1500	760	✓	✓	ACE19-42U-88-S-S6 ACE19-42U-88-C-S6	
	1090		1500	960	✓	✓	ACE19-42U-810-S-S6 ACE19-42U-810-C-S6	
	800		1290	1500	1160	✓	✓	ACE19-42U-812-S-S6 ACE19-42U-812-C-S6
45U	600	2144 + 30 adjustment	890	1500	760	✓	✓	ACE19-45U-68-S-S6 ACE19-45U-68-C-S6
			1090	1500	960	✓	✓	ACE19-45U-610-S-S6 ACE19-45U-610-C-S6
	890		1500	760	✓	✓	ACE19-45U-88-S-S6 ACE19-45U-88-C-S6	
	1090		1500	960	✓	✓	ACE19-45U-810-S-S6 ACE19-45U-810-C-S6	
	800		1290	1500	1160	✓	✓	ACE19-45U-812-S-S6 ACE19-45U-812-C-S6



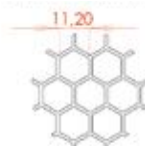
47U height cabinets available in offer



Mesh side walls p. 173



PERFORATION min 80%



Delivery:



Can be supplied assembled



Application:

WR series are freestanding dust-proof cabinets designed for environment with a high degree of humidity and dust.

The cabinets are adapted to the installation of the air-conditioner on the side wall, rear wall or roof.

Construction:

- assembled steel frame chassis,
- 2 pairs of 19 " rack profiles
- all necessary assembly elements included
- 4-point espagnolette lock
- protection rating IP 65 in case of version without vents
- bolted sheet steel rear cover
- cable entries in the floor and rear panel

Available colours:



Delivery



Supplied assembled

Application



Indoor use

Protection rating



Standard



Without vents

Load capacity



Dustproof cabinet 19"

WR

Usable height U x 44,45 MM	Dimintions(mm)			Usable depth UD	Load capacity (KG)	Wieght (KG)	Version		Product code
	width	total height	depth				full doors	glass door	
	W	H	D				DP	DS	
24U	600	1210 + 30 adjustment	650	480	1500	85		✓	WR19-24U-66-DS-S
						85	✓		WR19-24U-66-DP-S
			850	680		95		✓	WR19-24U-68-DS-S
						95	✓		WR19-24U-68-DP-S
			1050	880		100		✓	WR19-24U-610-DS-S
						100	✓		WR19-24U-610-DP-S
	800		650	520		95		✓	WR19-24U-86-DS-S
						95	✓		WR19-24U-86-DP-S
			850	720		100		✓	WR19-24U-88-DS-S
						100	✓		WR19-24U-88-DP-S
			1050	920		105		✓	WR19-24U-810-DS-S
						105	✓		WR19-24U-810-DP-S
32U	600	1566 + 30 adjustment	650	480	1500	90		✓	WR19-32U-66-DS-S
						90	✓		WR19-32U-66-DP-S
			850	680		100		✓	WR19-32U-68-DS-S
						100	✓		WR19-32U-68-DP-S
			1050	880		105		✓	WR19-32U-610-DS-S
						105	✓		WR19-32U-610-DP-S
	800		650	520		108		✓	WR19-32U-86-DS-S
						108	✓		WR19-32U-86-DP-S
			850	720		110		✓	WR19-32U-88-DS-S
						110	✓		WR19-32U-88-DP-S
			1050	920		112		✓	WR19-32U-810-DS-S
						112	✓		WR19-32U-810-DP-S
42U	600	2010 + 30 adjustment	650	480	1500	90		✓	WR19-42U-66-DS-S
						90	✓		WR19-42U-66-DP-S
			850	680		100		✓	WR19-42U-68-DS-S
						100	✓		WR19-42U-68-DP-S
			1050	880		105		✓	WR19-42U-610-DS-S
						105	✓		WR19-42U-610-DP-S
	800		650	520		108		✓	WR19-42U-86-DS-S
						108	✓		WR19-42U-86-DP-S
			850	720		110		✓	WR19-42U-88-DS-S
						110	✓		WR19-42U-88-DP-S
			1050	920		112		✓	WR19-42U-810-DS-S
						112	✓		WR19-42U-810-DP-S





Application:

Beta-Light server cabinets are ready for direct assembly. Construction of the cabinets ensures the possibility of door configuration. Additionally they can be placed either on plinth or levelling feet. The Beta-Light is server cabinet series with a wide range of applications.

Construction characteristics:

- lightweight, welded steel frame chassis
- adapted for the assembly of ventilation panels in the floor and roof
- possibility of installing cable management brush in the rear panel, floor and roof
- cabinet made of DC01 sheet, powder coated
- baying of the cabinets possible with regular m8x screws 15 + nuts + washers
- cable entries on the bottom and top plate (adapted for cable management brush)

Available colours:

 RAL 7035

Delivery



Supplied assembled

Application



Indoor use

Protection rating



Load capacity



Recommended accessories:



19" mounting profiles
p. 152



plinths
p. 158



power distribution units
p. 158



fan units
p. 159

Usable depth U x 44,45 MM	Dimensions(mm)			Doors			Product code
	width	total height	depth	full	with glass	mesh	
	W	H	D				
24U	600	1230 + 30 adjustment	600	✓			BETAL-24U-66-S-DP
					✓		BETAL-24U-66-S-DS
						✓	BETAL-24U-66-DPRF
	600		800	✓			BETAL-24U-68-S-DP
					✓		BETAL-24U-68-S-DS
						✓	BETAL-24U-68-S-DPRF
	800		800	✓			BETAL-24U-88-S-DP
					✓		BETAL-24U-88-S-DS
						✓	BETAL-24U-88-S-DPRF
32U	600	1570 + 30 adjustment	600	✓			BETAL-32U-66-S-DP
					✓		BETAL-32U-66-S-DS
						✓	BETAL-32U-66-S-DPRF
	600		800	✓			BETAL-32U-68-S-DP
					✓		BETAL-32U-68-S-DS
						✓	BETAL-32U-68-S-DPRF
	800		800	✓			BETAL-32U-88-S-DP
					✓		BETAL-32U-88-S-DS
						✓	BETAL-32U-88-S-DPRF
38U	600	1836 + 30 adjustment	600	✓			BETAL-38U-66-S-DP
					✓		BETAL-38U-66-S-DS
						✓	BETAL-38U-66-S-DPRF
	600		800	✓			BETAL-38U-68-S-DP
					✓		BETAL-38U-68-S-DS
						✓	BETAL-38U-68-S-DPRF
	800		800	✓			BETAL-38U-88-S-DP
					✓		BETAL-38U-88-S-DS
						✓	BETAL-38U-88-S-DPRF
42U	600	2000 + 30 adjustment	600	✓			BETAL-42U-66-S-DP
					✓		BETAL-42U-66-S-DS
						✓	BETAL-42U-66-S-DPRF
	600		800	✓			BETAL-42U-68-S-DP
					✓		BETAL-42U-68-S-DS
						✓	BETAL-42U-68-S-DPRF
	800		800	✓			BETAL-42U-88-S-DP
					✓		BETAL-42U-88-S-DS
						✓	BETAL-42U-88-S-DPRF

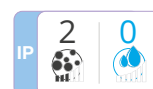
Doors:



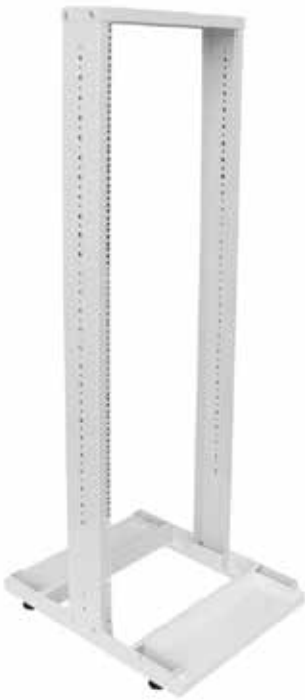
full

with glass

mesh



Mesh doors protection



Mono
(single frame)



Mono
(single frame)



Duo
(double frame)





Application:

The ICT open frames apply in spaces with limited access. This product provides perfect air flow due to the lack of walls. It can be used as a storage rack after mounting the shelves.

Construction characteristics:

- bolted steel frame chassis
- 1.2 mm thick DC01 steel sheet, powder coated
- the possibility of mounting casters
- effortless change from Simplex to Duplex

Available colours

-  RAL 9005
-  RAL 7035

Application



Forma dostawy



Self-assembly

Nośność



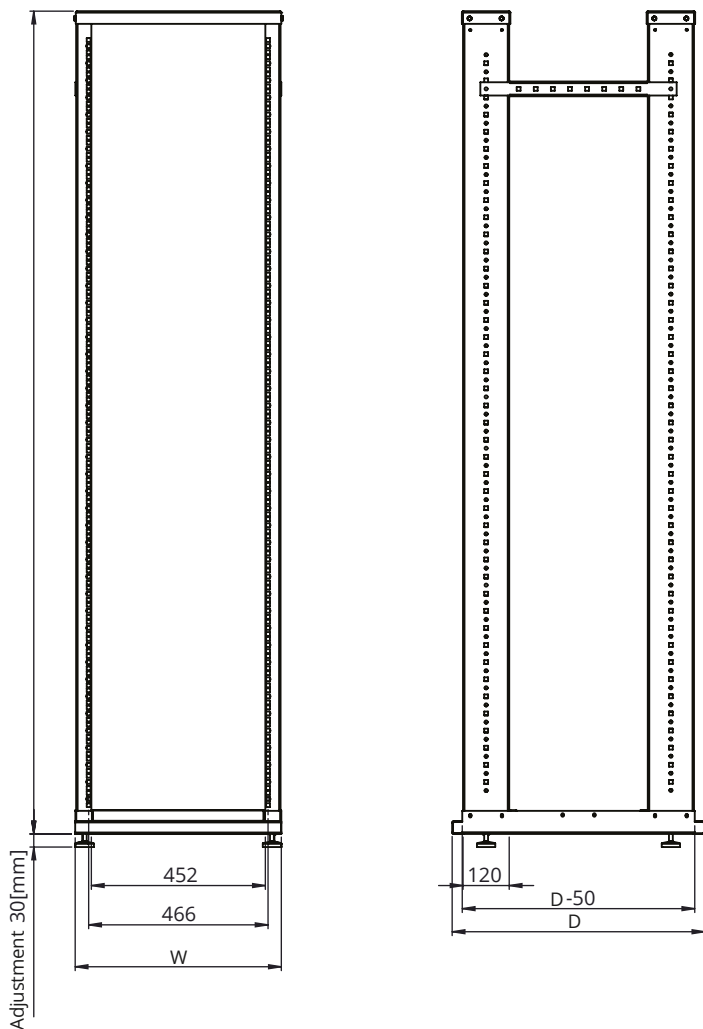
MONO



DUO

Freestanding Open frames 19"

MONO DUO



In the case of the Simplex version there is only one pair of beams located in the middle

Usable height U x 44,45 MM	Dimensions(mm)			Type	Load capacity (KG)	Colour		Product code
	width	total height	depth			RAL 7035 (grey)	RAL 9005 (black)	
	W	H	D					
32U	540	1570 +30 adjustment	650	MONO	160	✓		SIMPLEX19-32U-S SIMPLEX19-32U-C
				DUO	300	✓	✓	DUPLEX19-32U-S DUPLEX19-32U-C
42U	540	2000 +30 adjustment	650	MONO	160	✓	✓	SIMPLEX19-42U-S SIMPLEX19-42U-C
				DUO	300	✓	✓	DUPLEX19-42U-S DUPLEX19-42U-C
45U	540	2140 +30 adjustment	650	MONO	160	✓	✓	SIMPLEX19-45U-S SIMPLEX19-45U-C
				DUO	300	✓	✓	DUPLEX19-45U-S DUPLEX19-45U-C



WALL MOUNTED
CABINETS



Wall mounted cabinets 19"

specification

SZW SIMPLE



Application:

SIMPLE wall mounted cabinet is a cost-effective solution to assembly ICT devices. This product is a compromise between high quality and low price.

Construction characteristics:

- made of 1.2 mm thick sheet steel
- powder coated (RAL 7035 light gray)
- lockable doors
- sheet steel door or tempered glass door
- mounting profiles 19" - 2 pcs. (50mm adjustment)
- roof and floor cable glands

Available versions:



Available colours



RAL 7035

Delivery



Supplied assembled

Application



Indoor use

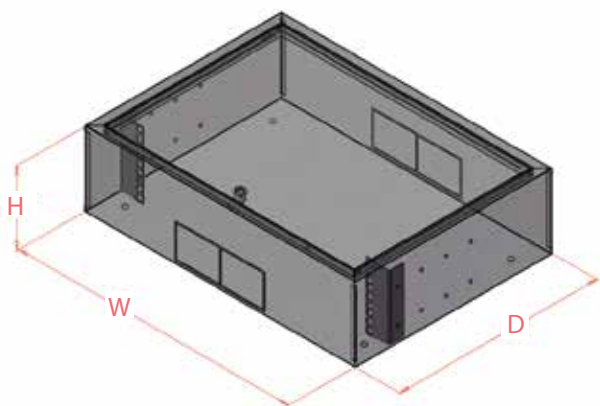
Protection rating



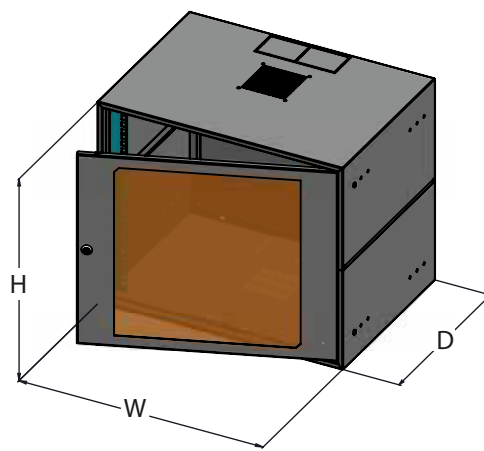
Load capacity



Usable height U x 44,45 MM	Dimensions			Max usable depth	Weight (KG)	Load capacity (KG)	Version		Product code
	width	total height	depth				full doors	glass door	
	W	H	D				DP	DS	
3U	555	152	400	300	6	25	✓		SZWS 19-3U-40-DP
4U	555	239	400	300	9	50	✓		SZWS 19-4U-40-DP
								✓	SZWS 19-4U-40-DS
6U	555	328	400	300	10	50	✓		SZWS 19-6U-40-DP
			600	500	14			✓	SZWS 19-6U-40-DS
								✓	SZWS 19-6U-60-DP
							✓	SZWS 19-6U-60-DS	
9U	555	470	400	300	13	50	✓		SZWS 19-9U-40-DP
			600	500	17			✓	SZWS 19-9U-40-DS
								✓	SZWS 19-9U-60-DP
							✓	SZWS 19-9U-60-DS	
12U	555	595	400	300	15	50	✓		SZWS 19-12U-40-DP
			600	500	19			✓	SZWS 19-12U-40-DS
								✓	SZWS 19-12U-60-DP
							✓	SZWS 19-12U-60-DS	



19" SIMPLE 3U



19" SIMPLE

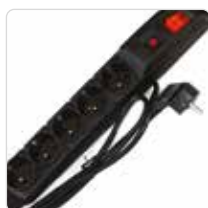
Recommended accessories:



Mounting profiles 19"
p. 157



Shelves 19"
s. 160



Power distribution units
s. 159



Fan unit
s. 164



Wall mounted cabinets 19" specification

SIDE-O



Secure locking for the side walls

Available versions:



Available colours



RAL 7035



RAL 9005

Delivery



Supplied assembled

Zastosowanie



Indoor use

Protection rating



Load capacity

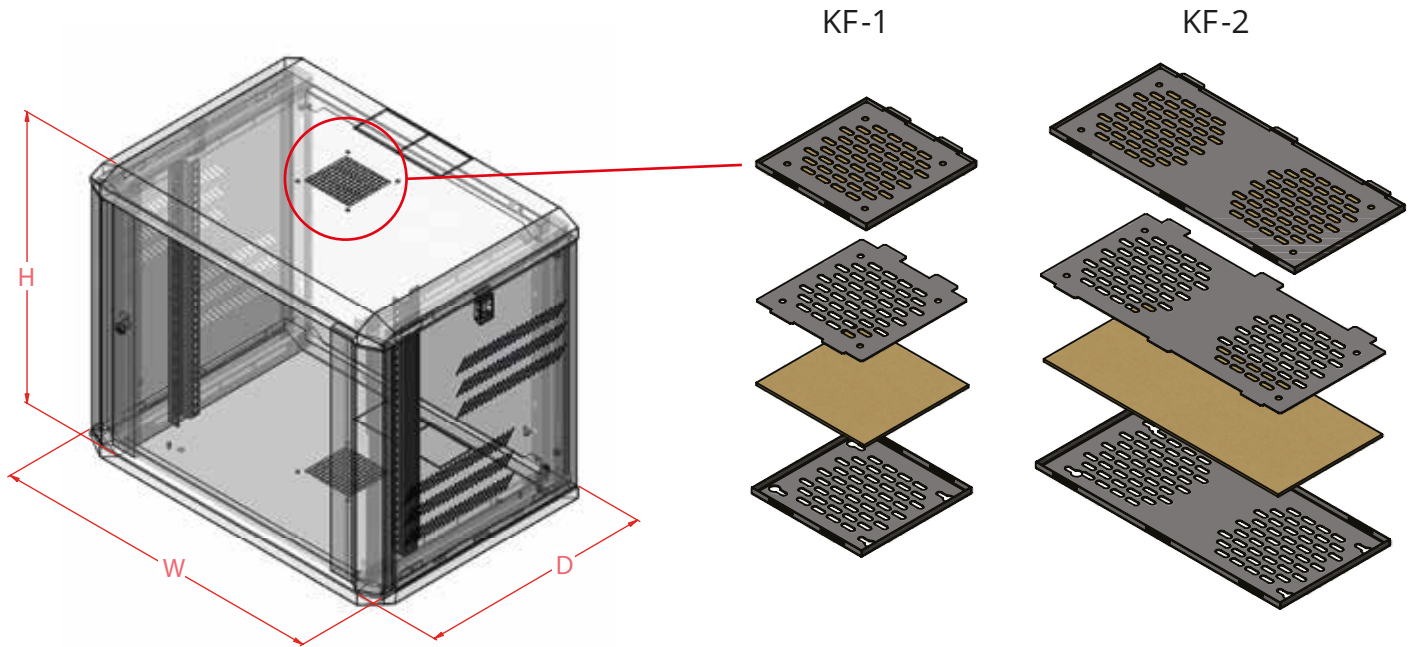



Application:

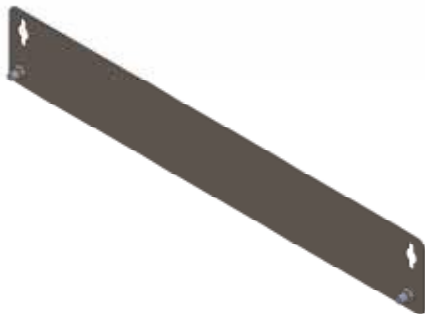
SIDE-O cabinet is a combination of functionality, modern design and high-quality workmanship. Thanks to the possibility of mounting levelling feet SIDE-O can be used as a standing cabinet.

Construction characteristics:

- made of powder coated sheet steel DC01 1.2mm
- lockable door
- removable and secure closing side wall
- the ability to mount a 120x120mm fan unit
- cable entries at the top and bottom of the cabinet
- 1 rack pair for cabinets of depth 428 mm
- 2 pairs of racks for depth 628 mm



4x  The possibility of increasing the protection of SIDE-O cabinets up to IP31 with use of filter cartridge KF-1 or KF-2. The cassettes are characterized by a quick, tool-free assembly using the included set of elements.



SIDE-O and SIDE-0-D cabinet bracket

Code: 19-W600



Leveling feet

Code: 19-1655

Wall mounted cabinets 19"

specification

SIDE-O

Usable height U x 44,45 MM	Dimensions (mm)			Usable depth [MM]	Load capacity (KG)	Version		Colour		Product code
	width	total height	total depth			full doors	glass doors	RAL 7035 (gray)	RAL 9005 (black)	
	W	H	D			DP	DS	S	C	
6U	617	396	428	345	60	<input checked="" type="checkbox"/>		<input checked="" type="checkbox"/>		SIDE-O19-6U-40-DP-S
						<input checked="" type="checkbox"/>			<input checked="" type="checkbox"/>	SIDE-O19-6U-40-DP-C
							<input checked="" type="checkbox"/>	<input checked="" type="checkbox"/>		SIDE-O19-6U-40-DS-S
							<input checked="" type="checkbox"/>		<input checked="" type="checkbox"/>	SIDE-O19-6U-40-DS-C
			<input checked="" type="checkbox"/>				<input checked="" type="checkbox"/>		SIDE-O19-6U-60-DP-S	
			<input checked="" type="checkbox"/>					<input checked="" type="checkbox"/>	SIDE-O19-6U-60-DP-C	
						<input checked="" type="checkbox"/>	<input checked="" type="checkbox"/>		SIDE-O19-6U-60-DS-S	
						<input checked="" type="checkbox"/>		<input checked="" type="checkbox"/>	SIDE-O19-6U-60-DS-C	
9U	617	531	428	345	60	<input checked="" type="checkbox"/>		<input checked="" type="checkbox"/>		SIDE-O19-9U-40-DP-S
						<input checked="" type="checkbox"/>			<input checked="" type="checkbox"/>	SIDE-O19-9U-40-DP-C
							<input checked="" type="checkbox"/>	<input checked="" type="checkbox"/>		SIDE-O19-9U-40-DS-S
							<input checked="" type="checkbox"/>		<input checked="" type="checkbox"/>	SIDE-O19-9U-40-DS-C
			<input checked="" type="checkbox"/>				<input checked="" type="checkbox"/>		SIDE-O19-9U-60-DP-S	
			<input checked="" type="checkbox"/>					<input checked="" type="checkbox"/>	SIDE-O19-9U-60-DP-C	
						<input checked="" type="checkbox"/>	<input checked="" type="checkbox"/>		SIDE-O19-9U-60-DS-S	
						<input checked="" type="checkbox"/>		<input checked="" type="checkbox"/>	SIDE-O19-9U-60-DS-C	
12U	617	660	428	345	60	<input checked="" type="checkbox"/>		<input checked="" type="checkbox"/>		SIDE-O19-12U-40-DP-S
						<input checked="" type="checkbox"/>			<input checked="" type="checkbox"/>	SIDE-O19-12U-40-DP-C
							<input checked="" type="checkbox"/>	<input checked="" type="checkbox"/>		SIDE-O19-12U-40-DS-S
							<input checked="" type="checkbox"/>		<input checked="" type="checkbox"/>	SIDE-O19-12U-40-DS-C
			<input checked="" type="checkbox"/>				<input checked="" type="checkbox"/>		SIDE-O19-12U-60-DP-S	
			<input checked="" type="checkbox"/>					<input checked="" type="checkbox"/>	SIDE-O19-12U-60-DP-C	
						<input checked="" type="checkbox"/>	<input checked="" type="checkbox"/>		SIDE-O19-12U-60-DS-S	
						<input checked="" type="checkbox"/>		<input checked="" type="checkbox"/>	SIDE-O19-12U-60-DS-C	
15U	617	790	428	345	60	<input checked="" type="checkbox"/>		<input checked="" type="checkbox"/>		SIDE-O19-15U-40-DP-S
						<input checked="" type="checkbox"/>			<input checked="" type="checkbox"/>	SIDE-O19-15U-40-DP-C
							<input checked="" type="checkbox"/>	<input checked="" type="checkbox"/>		SIDE-O19-15U-40-DS-S
							<input checked="" type="checkbox"/>		<input checked="" type="checkbox"/>	SIDE-O19-15U-40-DS-C
			<input checked="" type="checkbox"/>				<input checked="" type="checkbox"/>		SIDE-O19-15U-60-DP-S	
			<input checked="" type="checkbox"/>					<input checked="" type="checkbox"/>	SIDE-O19-15U-60-DP-C	
						<input checked="" type="checkbox"/>	<input checked="" type="checkbox"/>		SIDE-O19-15U-60-DS-S	
						<input checked="" type="checkbox"/>		<input checked="" type="checkbox"/>	SIDE-O19-15U-60-DS-C	
18U	617	931	428	345	60	<input checked="" type="checkbox"/>		<input checked="" type="checkbox"/>		SIDE-O19-18U-40-DP-S
						<input checked="" type="checkbox"/>			<input checked="" type="checkbox"/>	SIDE-O19-18U-40-DP-C
							<input checked="" type="checkbox"/>	<input checked="" type="checkbox"/>		SIDE-O19-18U-40-DS-S
							<input checked="" type="checkbox"/>		<input checked="" type="checkbox"/>	SIDE-O19-18U-40-DS-C
			<input checked="" type="checkbox"/>				<input checked="" type="checkbox"/>		SIDE-O19-18U-60-DP-S	
			<input checked="" type="checkbox"/>					<input checked="" type="checkbox"/>	SIDE-O19-18U-60-DP-C	
						<input checked="" type="checkbox"/>	<input checked="" type="checkbox"/>		SIDE-O19-18U-60-DS-S	
						<input checked="" type="checkbox"/>		<input checked="" type="checkbox"/>	SIDE-O19-18U-60-DS-C	
21U	617	1063	628	545	100	<input checked="" type="checkbox"/>		<input checked="" type="checkbox"/>		SIDE-O19-21U-60-DP-S
						<input checked="" type="checkbox"/>			<input checked="" type="checkbox"/>	SIDE-O19-21U-60-DP-C
							<input checked="" type="checkbox"/>	<input checked="" type="checkbox"/>		SIDE-O19-21U-60-DS-S
							<input checked="" type="checkbox"/>		<input checked="" type="checkbox"/>	SIDE-O19-21U-60-DS-C

SIDE-O-D

Wall mounted cabinets 19" specification



Secure closing of the side walls



Application:

2-parts wall mounted cabinets SIDE-O-D are a combination of functionality, modern design and high-quality workmanship. The durable hinged frame ensures optimum accessibility to the rear part of the cabinet.

Construction characteristics:

- made of powder coated DC01 sheet steel 1.2mm
- lockable door
- locking the opening of the rear part inside the cabinet
- removable side walls with secure closing
- the ability to mount a 120x120mm fan unit
- cable entries at the top and bottom

Available versions



Available colours



RAL 7035



RAL 9005

Delivery



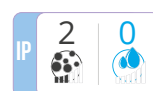
Supplied assembled

Application

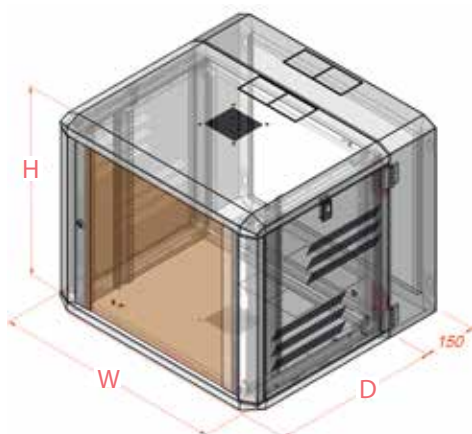


Indoor use

Protection rating



Load capacity



Wall mounted cabinets 19" specification

SIDE-O-D

Usable height U x 44,45 MM	Dimensions (mm)			Load capacity (KG)	Version		Colour		Product code
	width	total height	depth		full doors	glass doors	RAL 7035 (gray)	RAL 9005 (black)	
	W	H	D		DP	DS	S	C	
6U	617	396	428+152	60	<input checked="" type="checkbox"/>		<input checked="" type="checkbox"/>		SIDE-O-D19-6U-40-DP-S
					<input checked="" type="checkbox"/>			<input checked="" type="checkbox"/>	SIDE-O-D19-6U-40-DP-C
						<input checked="" type="checkbox"/>	<input checked="" type="checkbox"/>		SIDE-O-D19-6U-40-DS-S
						<input checked="" type="checkbox"/>	<input checked="" type="checkbox"/>		SIDE-O-D19-6U-40-DS-C
			<input checked="" type="checkbox"/>			<input checked="" type="checkbox"/>		SIDE-O-D19-6U-60-DP-S	
			<input checked="" type="checkbox"/>			<input checked="" type="checkbox"/>		SIDE-O-D19-6U-60-DP-C	
					<input checked="" type="checkbox"/>	<input checked="" type="checkbox"/>		SIDE-O-D19-6U-60-DS-S	
					<input checked="" type="checkbox"/>	<input checked="" type="checkbox"/>		SIDE-O-D19-6U-60-DS-C	
9U	617	531	428+152	60	<input checked="" type="checkbox"/>		<input checked="" type="checkbox"/>		SIDE-O-D19-9U-40-DP-S
					<input checked="" type="checkbox"/>			<input checked="" type="checkbox"/>	SIDE-O-D19-9U-40-DP-C
						<input checked="" type="checkbox"/>	<input checked="" type="checkbox"/>		SIDE-O-D19-9U-40-DS-S
						<input checked="" type="checkbox"/>	<input checked="" type="checkbox"/>		SIDE-O-D19-9U-40-DS-C
			<input checked="" type="checkbox"/>			<input checked="" type="checkbox"/>		SIDE-O-D19-9U-60-DP-S	
			<input checked="" type="checkbox"/>			<input checked="" type="checkbox"/>		SIDE-O-D19-9U-60-DP-C	
					<input checked="" type="checkbox"/>	<input checked="" type="checkbox"/>		SIDE-O-D19-9U-60-DS-S	
					<input checked="" type="checkbox"/>	<input checked="" type="checkbox"/>		SIDE-O-D19-9U-60-DS-C	
12U	617	666	428+152	60	<input checked="" type="checkbox"/>		<input checked="" type="checkbox"/>		SIDE-O-D19-12U-40-DP-S
					<input checked="" type="checkbox"/>			<input checked="" type="checkbox"/>	SIDE-O-D19-12U-40-DP-C
						<input checked="" type="checkbox"/>	<input checked="" type="checkbox"/>		SIDE-O-D19-12U-40-DS-S
						<input checked="" type="checkbox"/>	<input checked="" type="checkbox"/>		SIDE-O-D19-12U-40-DS-C
			<input checked="" type="checkbox"/>			<input checked="" type="checkbox"/>		SIDE-O-D19-12U-60-DP-S	
			<input checked="" type="checkbox"/>			<input checked="" type="checkbox"/>		SIDE-O-D19-12U-60-DP-C	
					<input checked="" type="checkbox"/>	<input checked="" type="checkbox"/>		SIDE-O-D19-12U-60-DS-S	
					<input checked="" type="checkbox"/>	<input checked="" type="checkbox"/>		SIDE-O-D19-12U-60-DS-C	
15U	617	799	428+152	60	<input checked="" type="checkbox"/>		<input checked="" type="checkbox"/>		SIDE-O-D19-15U-40-DP-S
					<input checked="" type="checkbox"/>			<input checked="" type="checkbox"/>	SIDE-O-D19-15U-40-DP-C
						<input checked="" type="checkbox"/>	<input checked="" type="checkbox"/>		SIDE-O-D19-15U-40-DS-S
						<input checked="" type="checkbox"/>	<input checked="" type="checkbox"/>		SIDE-O-D19-15U-40-DS-C
			<input checked="" type="checkbox"/>			<input checked="" type="checkbox"/>		SIDE-O-D19-15U-60-DP-S	
			<input checked="" type="checkbox"/>			<input checked="" type="checkbox"/>		SIDE-O-D19-15U-60-DP-C	
					<input checked="" type="checkbox"/>	<input checked="" type="checkbox"/>		SIDE-O-D19-15U-60-DS-S	
					<input checked="" type="checkbox"/>	<input checked="" type="checkbox"/>		SIDE-O-D19-15U-60-DS-C	
18U	617	931	428+152	60	<input checked="" type="checkbox"/>		<input checked="" type="checkbox"/>		SIDE-O-D19-18U-40-DP-S
					<input checked="" type="checkbox"/>			<input checked="" type="checkbox"/>	SIDE-O-D19-18U-40-DP-C
						<input checked="" type="checkbox"/>	<input checked="" type="checkbox"/>		SIDE-O-D19-18U-40-DS-S
						<input checked="" type="checkbox"/>	<input checked="" type="checkbox"/>		SIDE-O-D19-18U-40-DS-C
			<input checked="" type="checkbox"/>			<input checked="" type="checkbox"/>		SIDE-O-D19-18U-60-DP-S	
			<input checked="" type="checkbox"/>			<input checked="" type="checkbox"/>		SIDE-O-D19-18U-60-DP-C	
					<input checked="" type="checkbox"/>	<input checked="" type="checkbox"/>		SIDE-O-D19-18U-60-DS-S	
					<input checked="" type="checkbox"/>	<input checked="" type="checkbox"/>		SIDE-O-D19-18U-60-DS-C	



SIDE-O and SIDE-O-D cabinet bracket
Code: 19-W600

Leveling feet
Code: 19-1655





Application:

Wall mounted cabinets with high protection category, perfect for places with high dustiness and moisture. Recommended for assembly in production halls and places with open air access from outside. Outdoor use cabinets are equipped with rubber gasket and are covered with a special underlay to assure durability and resistance to weather conditions.

Construction characteristics:

- made of DC01 steel sheet
- polyurethane door seal
- 12 holes with a diameter of 29 mm at the top and bottom of the cabinet
- 2 filtration inserts included
- outdoor cabinets are equipped with padlock handle and are covered with anti-corrosion underlayment
- vents meets requirements of IP54 protection rating
- tempered glass doors

Available versions

FULL DOORS



GLASS DOOR



Available colours



RAL 7035



RAL 9005

Delivery



Supplied assembled

Application



Indoor use

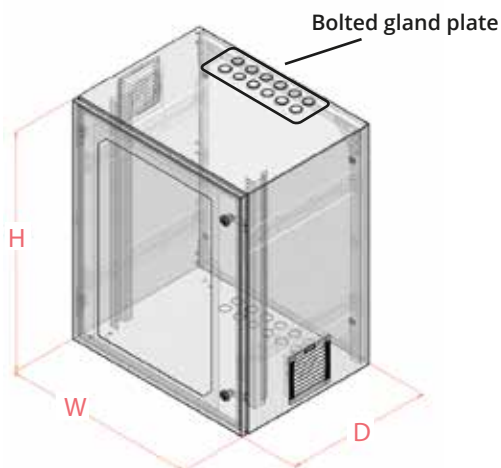


Outdoor use (on request)

Protection rating



Load capacity



Optionally:
SWK-DEKD



Thanks to divided sealing modules, the cable lid allows easy access of cables to enclosure even with plugs much bigger than cable diameter without cutting them.

Wall mounted cabinets 19" specification

SWK IP54

Usable height U x 44,45 MM	Dimensions (mm)			Usable depth [mm]	Load capacity (KG)	Version		Application		Product code
	width	total height	depth			full door	glass door	indoor	outdoor	
	W	H	D			DP	DS	W	Z	
6U	600	335	400	340	60	<input checked="" type="checkbox"/>		<input checked="" type="checkbox"/>		SWK19-6U-40-DP-W
						<input checked="" type="checkbox"/>			<input checked="" type="checkbox"/>	SWK19-6U-40-DP-Z
							<input checked="" type="checkbox"/>	<input checked="" type="checkbox"/>		SWK19-6U-40-DS-W
							<input checked="" type="checkbox"/>		<input checked="" type="checkbox"/>	SWK19-6U-40-DS-Z
			<input checked="" type="checkbox"/>			<input checked="" type="checkbox"/>		SWK19-6U-60-DP-W		
			<input checked="" type="checkbox"/>				<input checked="" type="checkbox"/>	SWK19-6U-60-DP-Z		
				<input checked="" type="checkbox"/>		<input checked="" type="checkbox"/>		SWK19-6U-60-DS-W		
				<input checked="" type="checkbox"/>			<input checked="" type="checkbox"/>	SWK19-6U-60-DS-Z		
9U	600	470	400	340	60	<input checked="" type="checkbox"/>		<input checked="" type="checkbox"/>		SWK19-9U-40-DP-W
						<input checked="" type="checkbox"/>			<input checked="" type="checkbox"/>	SWK19-9U-40-DP-Z
							<input checked="" type="checkbox"/>	<input checked="" type="checkbox"/>		SWK19-9U-40-DS-W
							<input checked="" type="checkbox"/>		<input checked="" type="checkbox"/>	SWK19-9U-40-DS-Z
			<input checked="" type="checkbox"/>			<input checked="" type="checkbox"/>		SWK19-9U-60-DP-W		
			<input checked="" type="checkbox"/>				<input checked="" type="checkbox"/>	SWK19-9U-60-DP-Z		
				<input checked="" type="checkbox"/>		<input checked="" type="checkbox"/>		SWK19-9U-60-DS-W		
				<input checked="" type="checkbox"/>			<input checked="" type="checkbox"/>	SWK19-9U-60-DS-Z		
12U	600	605	400	340	60	<input checked="" type="checkbox"/>		<input checked="" type="checkbox"/>		SWK19-12U-40-DP-W
						<input checked="" type="checkbox"/>			<input checked="" type="checkbox"/>	SWK19-12U-40-DP-Z
							<input checked="" type="checkbox"/>	<input checked="" type="checkbox"/>		SWK19-12U-40-DS-W
							<input checked="" type="checkbox"/>		<input checked="" type="checkbox"/>	SWK19-12U-40-DS-Z
			<input checked="" type="checkbox"/>			<input checked="" type="checkbox"/>		SWK19-12U-60-DP-W		
			<input checked="" type="checkbox"/>				<input checked="" type="checkbox"/>	SWK19-12U-60-DP-Z		
				<input checked="" type="checkbox"/>		<input checked="" type="checkbox"/>		SWK19-12U-60-DS-W		
				<input checked="" type="checkbox"/>			<input checked="" type="checkbox"/>	SWK19-12U-60-DS-Z		
15U	600	737	400	340	60	<input checked="" type="checkbox"/>		<input checked="" type="checkbox"/>		SWK19-15U-40-DP-W
						<input checked="" type="checkbox"/>			<input checked="" type="checkbox"/>	SWK19-15U-40-DP-Z
							<input checked="" type="checkbox"/>	<input checked="" type="checkbox"/>		SWK19-15U-40-DS-W
							<input checked="" type="checkbox"/>		<input checked="" type="checkbox"/>	SWK19-15U-40-DS-Z
			<input checked="" type="checkbox"/>			<input checked="" type="checkbox"/>		SWK19-15U-60-DP-W		
			<input checked="" type="checkbox"/>				<input checked="" type="checkbox"/>	SWK19-15U-60-DP-Z		
				<input checked="" type="checkbox"/>		<input checked="" type="checkbox"/>		SWK19-15U-60-DS-W		
				<input checked="" type="checkbox"/>			<input checked="" type="checkbox"/>	SWK19-15U-60-DS-Z		
18U	600	870	400	340	60	<input checked="" type="checkbox"/>		<input checked="" type="checkbox"/>		SWK19-18U-40-DP-W
						<input checked="" type="checkbox"/>			<input checked="" type="checkbox"/>	SWK19-18U-40-DP-Z
							<input checked="" type="checkbox"/>	<input checked="" type="checkbox"/>		SWK19-18U-40-DS-W
							<input checked="" type="checkbox"/>		<input checked="" type="checkbox"/>	SWK19-18U-40-DS-Z
			<input checked="" type="checkbox"/>			<input checked="" type="checkbox"/>		SWK19-18U-60-DP-W		
			<input checked="" type="checkbox"/>				<input checked="" type="checkbox"/>	SWK19-18U-60-DP-Z		
				<input checked="" type="checkbox"/>		<input checked="" type="checkbox"/>		SWK19-18U-60-DS-W		
				<input checked="" type="checkbox"/>			<input checked="" type="checkbox"/>	SWK19-18U-60-DS-Z		
22U	600	1048	600	540	80	<input checked="" type="checkbox"/>		<input checked="" type="checkbox"/>		SWK19-22U-60-DP-W
						<input checked="" type="checkbox"/>			<input checked="" type="checkbox"/>	SWK19-22U-60-DP-Z
							<input checked="" type="checkbox"/>	<input checked="" type="checkbox"/>		SWK19-22U-60-DS-W
							<input checked="" type="checkbox"/>		<input checked="" type="checkbox"/>	SWK19-22U-60-DS-Z



Optionally:
SWK-Multigate
cable gland plate

Outdoor use SWK IP54
cabinets available on request





Application:

Wall mounted cabinets with high dust protection perfect for places with high dustiness and moisture. Recommended for assembly in production halls and places with open air access from outside. Outdoor use cabinets are equipped with rubber gasket and are covered with a special underlay to assure durability and resistance to weather conditions. Optimum accessibility to mounted devices thanks to sealed hinged rear part.

Construction characteristics:

- cabinet made of DC01 steel sheet
- polyurethane door seal(indoor use), rubber seal(outdoor use)
- 24 holes with a diameter of 29 mm at the top and bottom of the cabinet
- 2 filtration inserts included
- outdoor cabinets are equipped with padlock handle and are covered with anti-corrosion underlayment
- tempered glass doors

Available versions



Available colours



RAL 7035



Supplied assembled

Application



Indoor use



Outdoor use (on request)

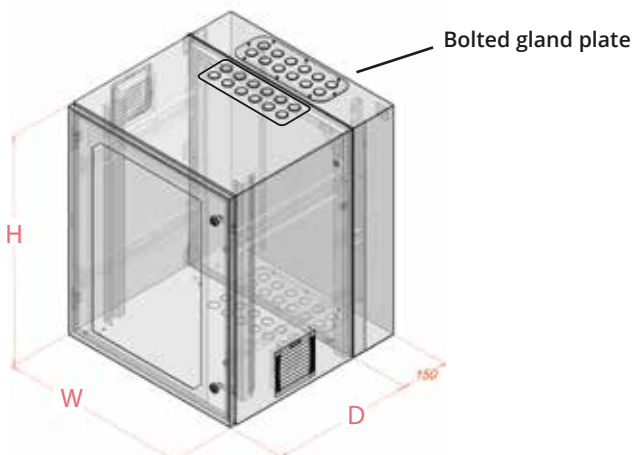
Protection rating



Load capacity



Optionally:
SWK-Multigate cable gland plate on rear part



Usable height U x 44,45 MM	Dimensions (mm)			Load capacity (KG)	Door		Application		Product code
	width	total height	depth		full door	glass door	indoor use	outdoor	
	W	H	D		DP	DS	W	Z	
6U	600	335	400 + 150	60	<input checked="" type="checkbox"/>		<input checked="" type="checkbox"/>		SWKD19-6U-40-DP-W
					<input checked="" type="checkbox"/>			<input checked="" type="checkbox"/>	SWKD19-6U-40-DP-Z
						<input checked="" type="checkbox"/>	<input checked="" type="checkbox"/>		SWKD19-6U-40-DS-W
						<input checked="" type="checkbox"/>	<input checked="" type="checkbox"/>		SWKD19-6U-40-DS-Z
			<input checked="" type="checkbox"/>			<input checked="" type="checkbox"/>		SWKD19-6U-60-DP-W	
			<input checked="" type="checkbox"/>			<input checked="" type="checkbox"/>		SWKD19-6U-60-DP-Z	
					<input checked="" type="checkbox"/>	<input checked="" type="checkbox"/>		SWKD19-6U-60-DS-W	
					<input checked="" type="checkbox"/>	<input checked="" type="checkbox"/>		SWKD19-6U-60-DS-Z	
9U	600	470	400 + 150	60	<input checked="" type="checkbox"/>		<input checked="" type="checkbox"/>		SWKD19-9U-40-DP-W
					<input checked="" type="checkbox"/>			<input checked="" type="checkbox"/>	SWKD19-9U-40-DP-Z
						<input checked="" type="checkbox"/>	<input checked="" type="checkbox"/>		SWKD19-9U-40-DS-W
						<input checked="" type="checkbox"/>	<input checked="" type="checkbox"/>		SWKD19-9U-40-DS-Z
			<input checked="" type="checkbox"/>			<input checked="" type="checkbox"/>		SWKD19-9U-60-DP-W	
			<input checked="" type="checkbox"/>			<input checked="" type="checkbox"/>		SWKD19-9U-60-DP-Z	
					<input checked="" type="checkbox"/>	<input checked="" type="checkbox"/>		SWKD19-9U-60-DS-W	
					<input checked="" type="checkbox"/>	<input checked="" type="checkbox"/>		SWKD19-9U-60-DS-Z	
12U	600	605	400 + 150	60	<input checked="" type="checkbox"/>		<input checked="" type="checkbox"/>		SWKD19-12U-40-DP-W
					<input checked="" type="checkbox"/>			<input checked="" type="checkbox"/>	SWKD19-12U-40-DP-Z
						<input checked="" type="checkbox"/>	<input checked="" type="checkbox"/>		SWKD19-12U-40-DS-W
						<input checked="" type="checkbox"/>	<input checked="" type="checkbox"/>		SWKD19-12U-40-DS-Z
			<input checked="" type="checkbox"/>			<input checked="" type="checkbox"/>		SWKD19-12U-60-DP-W	
			<input checked="" type="checkbox"/>			<input checked="" type="checkbox"/>		SWKD19-12U-60-DP-Z	
					<input checked="" type="checkbox"/>	<input checked="" type="checkbox"/>		SWKD19-12U-60-DS-W	
					<input checked="" type="checkbox"/>	<input checked="" type="checkbox"/>		SWKD19-12U-60-DS-Z	
15U	600	737	400 + 150	60	<input checked="" type="checkbox"/>		<input checked="" type="checkbox"/>		SWKD19-15U-40-DP-W
					<input checked="" type="checkbox"/>			<input checked="" type="checkbox"/>	SWKD19-15U-40-DP-Z
						<input checked="" type="checkbox"/>	<input checked="" type="checkbox"/>		SWKD19-15U-40-DS-W
						<input checked="" type="checkbox"/>	<input checked="" type="checkbox"/>		SWKD19-15U-40-DS-Z
			<input checked="" type="checkbox"/>			<input checked="" type="checkbox"/>		SWKD19-15U-60-DP-W	
			<input checked="" type="checkbox"/>			<input checked="" type="checkbox"/>		SWKD19-15U-60-DP-Z	
					<input checked="" type="checkbox"/>	<input checked="" type="checkbox"/>		SWKD19-15U-60-DS-W	
					<input checked="" type="checkbox"/>	<input checked="" type="checkbox"/>		SWKD19-15U-60-DS-Z	
18U	600	870	400 + 150	60	<input checked="" type="checkbox"/>		<input checked="" type="checkbox"/>		SWKD19-18U-40-DP-W
					<input checked="" type="checkbox"/>			<input checked="" type="checkbox"/>	SWKD19-18U-40-DP-Z
						<input checked="" type="checkbox"/>	<input checked="" type="checkbox"/>		SWKD19-18U-40-DS-W
						<input checked="" type="checkbox"/>	<input checked="" type="checkbox"/>		SWKD19-18U-40-DS-Z
			<input checked="" type="checkbox"/>			<input checked="" type="checkbox"/>		SWKD19-18U-60-DP-W	
			<input checked="" type="checkbox"/>			<input checked="" type="checkbox"/>		SWKD19-18U-60-DP-Z	
					<input checked="" type="checkbox"/>	<input checked="" type="checkbox"/>		SWKD19-18U-60-DS-W	
					<input checked="" type="checkbox"/>	<input checked="" type="checkbox"/>		SWKD19-18U-60-DS-Z	

All outdoor type SWK-D IP54 cabinets are available on request.





Usable height U x 44,45 MM	Dimensions (mm)			Door		Colour		Product code
	width	total height	depth	full door	glass door	RAL 7035 (gray)	RAL 9005 (black)	
	W	H	D	DP	DS	S	C	
4u	310	265	300	✓		✓		SZW10-4U-30-DP-S
				✓			✓	SZW10-4U-30-DP-C
					✓	✓		SZW10-4U-30-DS-S
					✓	✓		SZW10-4U-30-DS-C
6u	310	355	300	✓		✓		SZW10-6U-30-DP-S
				✓			✓	SZW10-6U-30-DP-C
					✓	✓		SZW10-6U-30-DS-S
					✓	✓		SZW10-6U-30-DS-C
9u	310	490	300	✓		✓		SZW10-9U-30-DP-S
				✓			✓	SZW10-9U-30-DP-C
					✓	✓		SZW10-9U-30-DS-S
					✓	✓		SZW10-9U-30-DS-C

Application:

The 10" standard cabinets are designed for the applications of small office or home networks. Solid and elegant design provides excellent ventilation and protection of components assembled in it.

Construction characteristics:

- made of DC01 steel with a thickness of 1mm
- powder-coated construction
- lockable door
- screwed rear wall included
- tempered glass doors

Available versions



Available colours

- RAL 7035
- RAL 9005

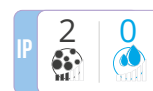
Delivery



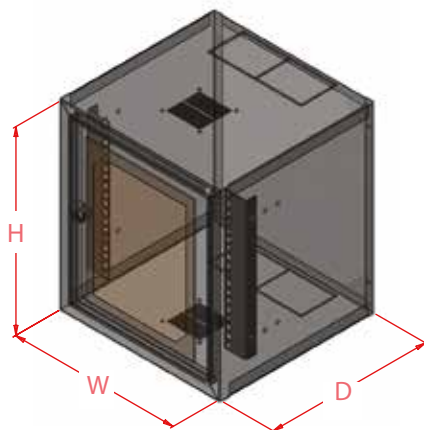
Application



Protection rating



Load capacity



Beam position adjustment



FH type



FL type



adjustable feet and casts included

Features:

- assembly of components with 19" standard AV devices
- excellent access during installation of equipment
- perfect ventilation
- efficient cable management
- shelves adapted to most of devices
- plinth with casts for easy movement and adjustable feet

Delivery



Self-assembly



Indoor use



Load capacity

Product code	Dimensions (mm)			"U" height
	width	height	depth	
Media Rack 19" - FH	582	1581	632	30U
Media Rack 19" - FL	582	958	632	16U
Media Rack 40U	582	1983	632	40U
Glassdoor for Media Rack FL/WM	Door available as an option			
Glassdoor for Media Rack FH				

Optional: shelves and doors

WM type

WM-9U type



Door available as an option



Features:

- assembly of 19 "components with AV devices
- excellent access for installation of equipment
- perfect ventilation
- efficient cable management
- shelves adapted to most of devices
- plinth with casts for easy movement and adjustable feet

Delivery



Self-assembly



Indoor use



Load capacity

Product code	Dimensions (mm)			"U" height
	width	height	depth	
Media Rack WM-9U	521	582	606	9U
Media Rack WM	521	889	606	16U
Doors for Media Rack FL/WM	Doors available as an option			





Application:

The industrial enclosure for OPC1 is a mobile PC station. Its construction secure the computer working in difficult conditions. The cabinet allows the installation of a ventilation panel in order to improve cooling.

Construction characteristics:

- welded and screwed construction
- can be moved freely
- cable entries in the rear cover
- pull-out shelf for control devices
- additional cooling can be installed
- possibility of mounting an LCD monitor up to 24 inches
- lockable covers

Available colours

-  RAL 7035
-  RAL 9005

Delivery



Supplied assembled

Application



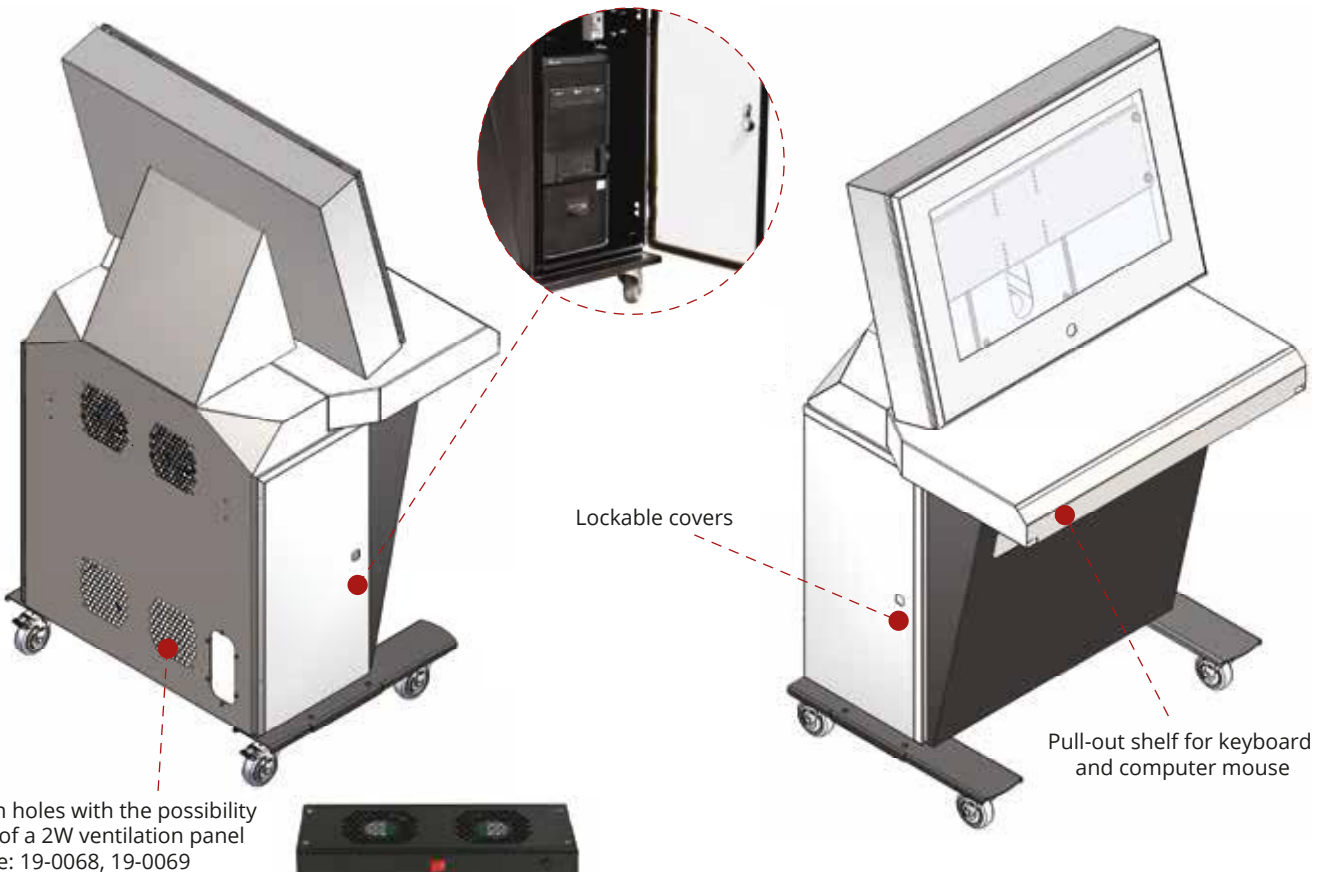
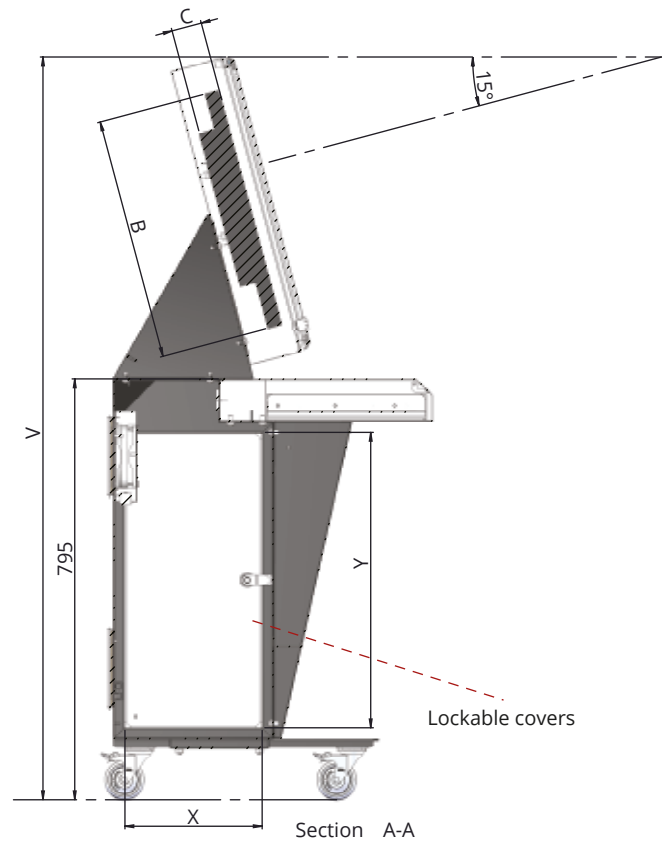
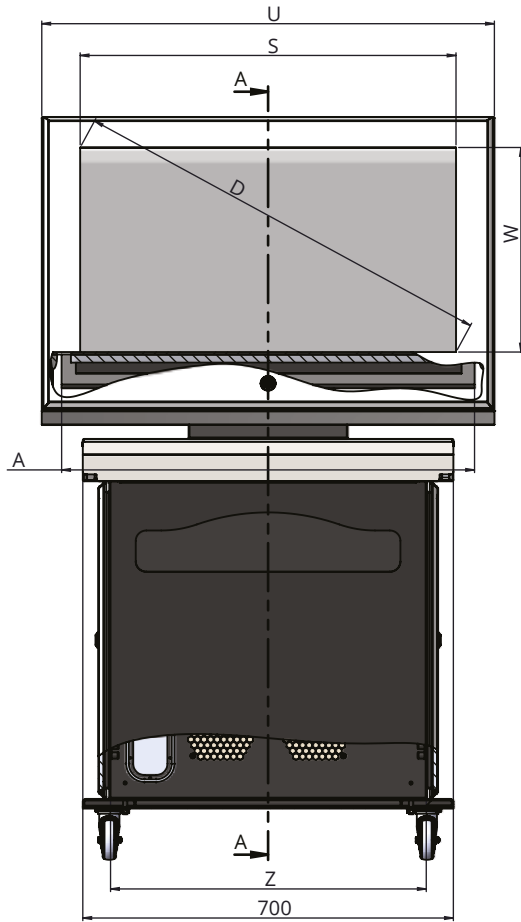
Indoor use

Protection rating



*barcode scanner not included

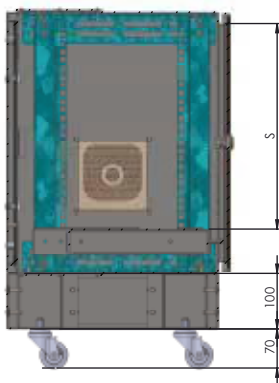
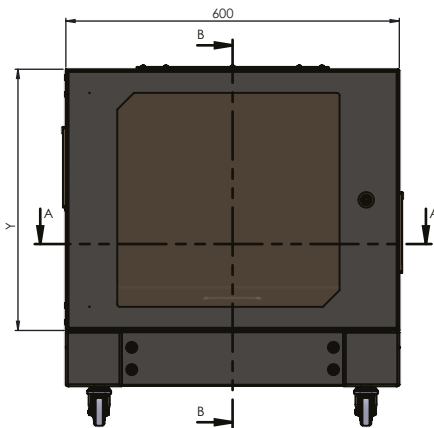
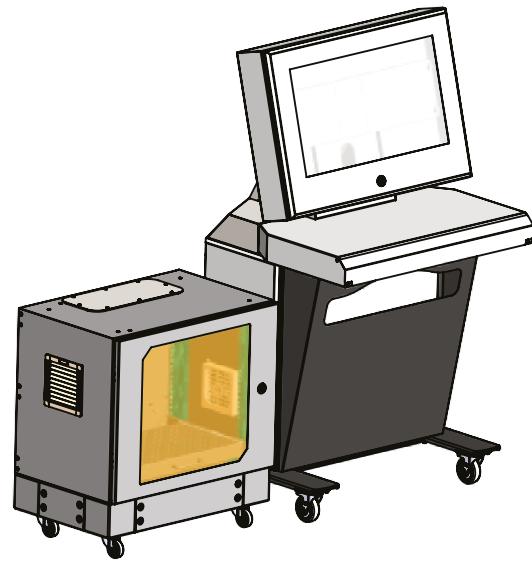
Code	Max. dimensions of the monitor [mm]			Max. screen dimensions [mm]			Dimension of CPU space [mm]			Dimensions [mm]	
	A	B	C	S	W	D	X	Y	Z	U	V
OPC-1-24	585	425	100	535	295	610	255	550	550	680	1300
OPC-1-32	760	530	100	710	400	814				835	1402



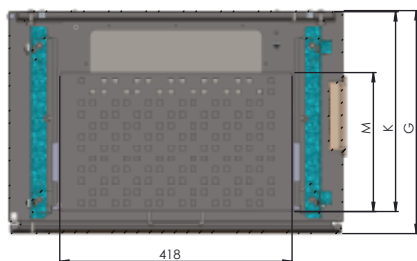
Industrial enclosure OPC1-SD is a mobile station for additional devices for the computer. It is designed for protection of an additional device such as a printer working in difficult conditions. The profiles inside the cabinet allows assembly of accessories every 25 mm.

Characteristic:

- screwed construction
- can be move freely
- cable entries on the bottom and top
- the possibility of mounting additional cooling
- the possibility of mounting 19-inch accessories
- lockable door



Section B-B



Section A-A

Sample configuration							
Y	G	K	M	S	Shelf code	Plinth code	SWK code
335	400	360	250	235	19-0054S	COK-063.8-100	SWK19-6U-40-DS-W
	600	560	400		19-0055S	COK-0606-100	SWK19-6U-60-DS-W
470	400	360	250	370	19-0054S	COK-063.8-100	SWK19-9U-40-DS-W
	600	560	400		19-0055S	COK-0606-100	SWK19-9U-60-DS-W
605	400	360	250	505	19-0054S	COK-063.8-100	SWK19-12U-40-DS-W
	600	560	400		19-0055S	COK-0606-100	SWK19-12U-60-DS-W
737	400	360	250	637	19-0054S	COK-063.8-100	SWK19-15U-40-DS-W
	600	560	400		19-0055S	COK-0606-100	SWK19-15U-60-DS-W
870	400	360	250	770	19-0054S	COK-063.8-100	SWK19-18U-40-DS-W
	600	560	400		19-0055S	COK-063.8-100	SWK19-18U-60-DS-W





Optionally keyboard shelf for PK-01 str. 151

Application:

The WOPC Series enclosures are designed for safe mounting of the monitor and a computer in a high protection rating enclosure. The construction is based on RH cabinet. All of accessories for industrial cabinets can be used in WOPC too. The computer is mounted behind the screen.

Construction characteristics:

- adjustable distance of the screen from the glass
- universal VESA 100/200 bracket
- the possibility of using all accessories for RH cabinets (pole brackets, heaters, ventilation vents, locks)
- the possibility of mounting door on the left or right side
- made of 1.2 mm DC01 steel

Available colours



RAL 7035

Delivery



Supplied assembled

Application



Indoor use

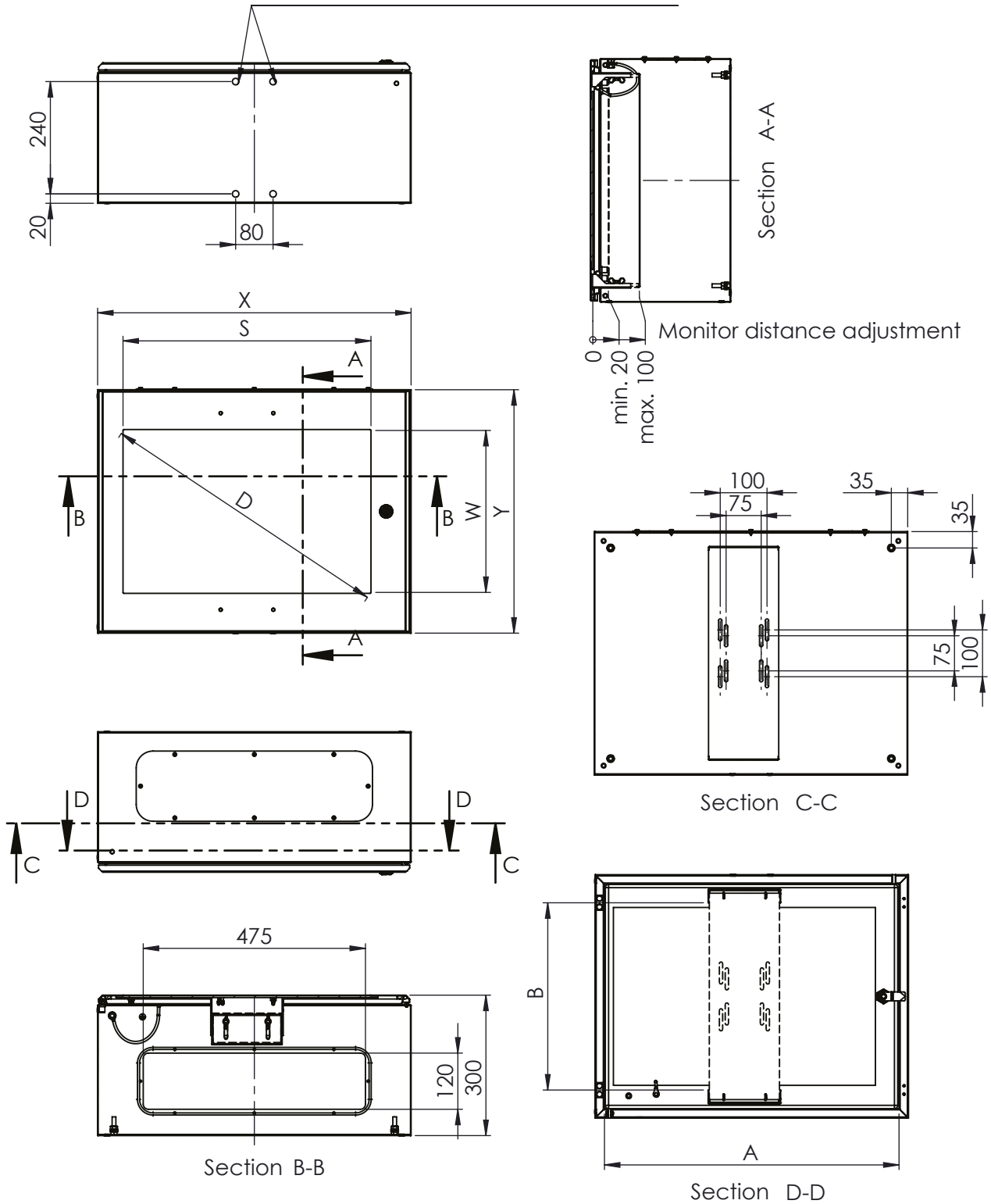
Protection rating



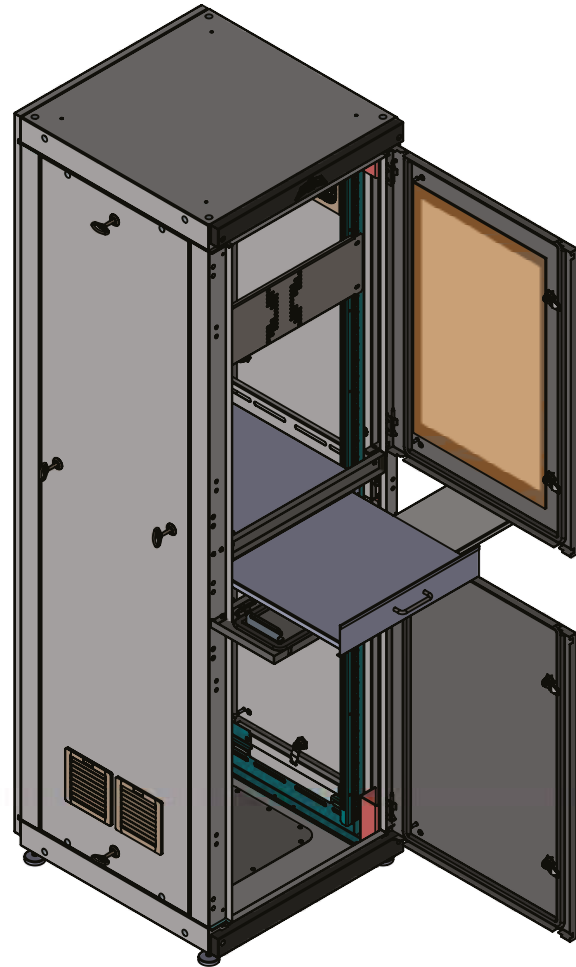
Load capacity



Holes for PK-1 (plugs included in case of order without the shelf for the keyboard)



Code	Max. dimensions of the monitor [mm]			Maximum screen dimensions [mm]			Dimensions	
	A	B	C	S	W	D	X	Y
WOPC-27	620	400	100	530	350	635	670	520
WOPC-32	800	480		710	400	814	850	600



Application:

The industrial PC enclosure WR 42U 66-CPU is dustproof cabinet designed for a computer station. It is divided into three independent parts. Upper part with glass door is intended for mounting the LCD monitor. Lower part with a full door is made for safe storage of PC unit, it is also possible to mount additional cooling system in it. The middle part is pull-out shelf designed for such control devices, as keyboard and mouse.

Construction characteristics:

- frame construction, folded
- independent three-part division
- cable entries in the rear cover
- pull-out shelf for control devices
- possibility to mount additional cooling
- possible degree of protection IP65 in case of removing ventilation vents
- possibility of mounting an LCD monitor up to 24 inches
- keyed covers

Available colours



RAL 7035

Delivery



Supplied assembled

Application



Indoor use

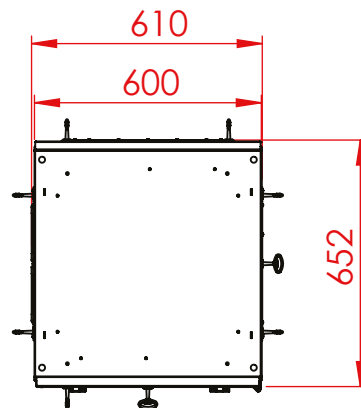
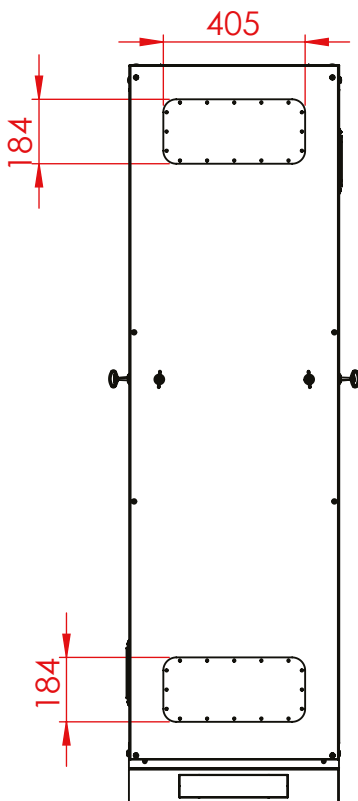
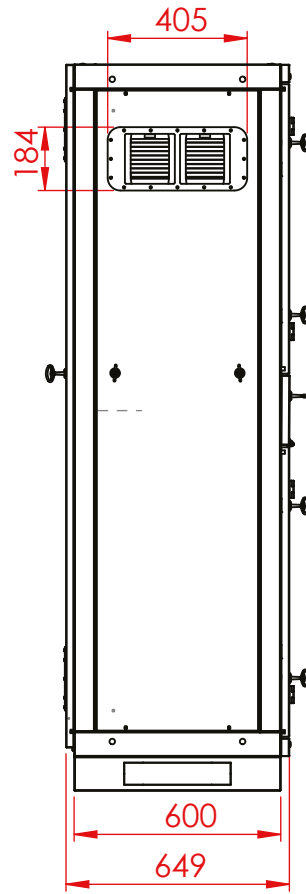
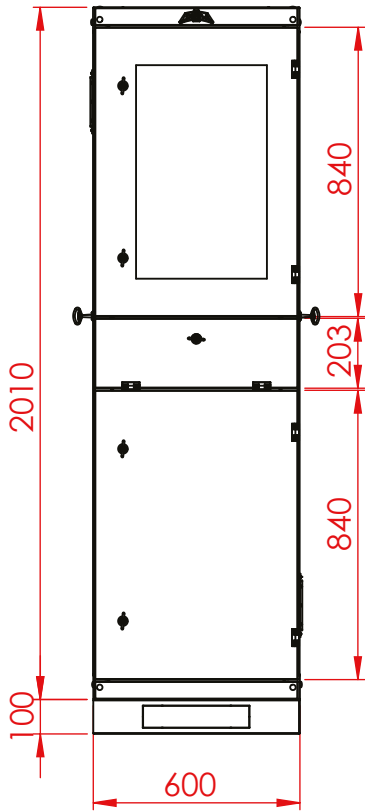
Protection rating

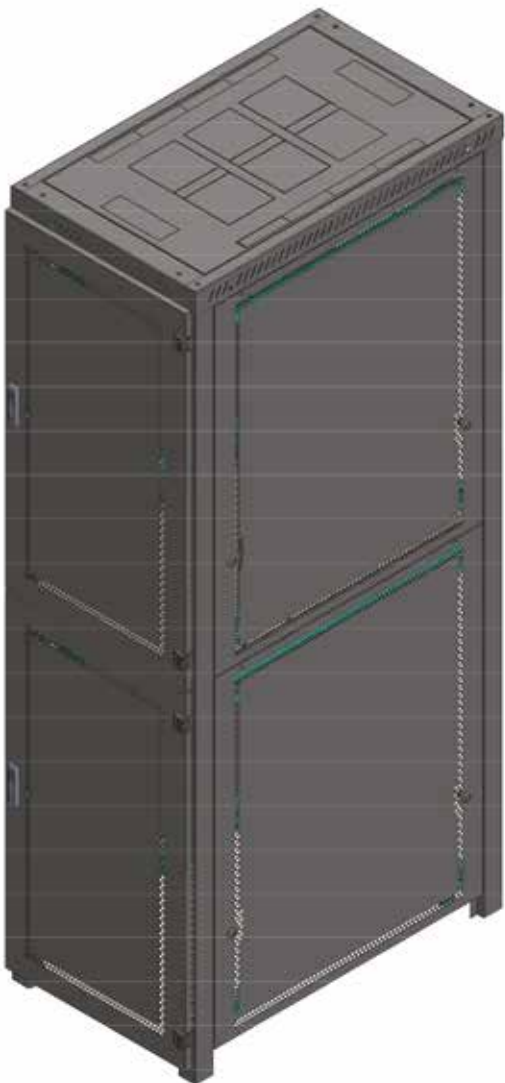


Load capacity



Product code	Dimensions (mm)			"U" height
	width	height	depth	
WR19-42U-66-CPU	600	2010	650	42U





Application:

Colocation cabinet thanks to independent horizontal division allows access to each section with separate doors. The individual areas inside the cabinet are separated horizontally by partition screwed to the frame. Each section has an independent cable compartment on both sides of the cabinet and 19" frame. Cable entry via the base or the roof of the cabinet. The meshed sides of the cabinets opened with the lock. Front and rear door made of perforated steel sheet.

Construction characteristics:

- frame construction, folded
- independent division into horizontal areas
- cable entries in the bottom of the cabinet
- meshed doors and sides
- possible to order by customer specifications

Delivery



Supplied assembled

Application



Indoor use

Load capacity

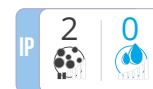


KG
1500

Protection rating



Glass door



Mesh door

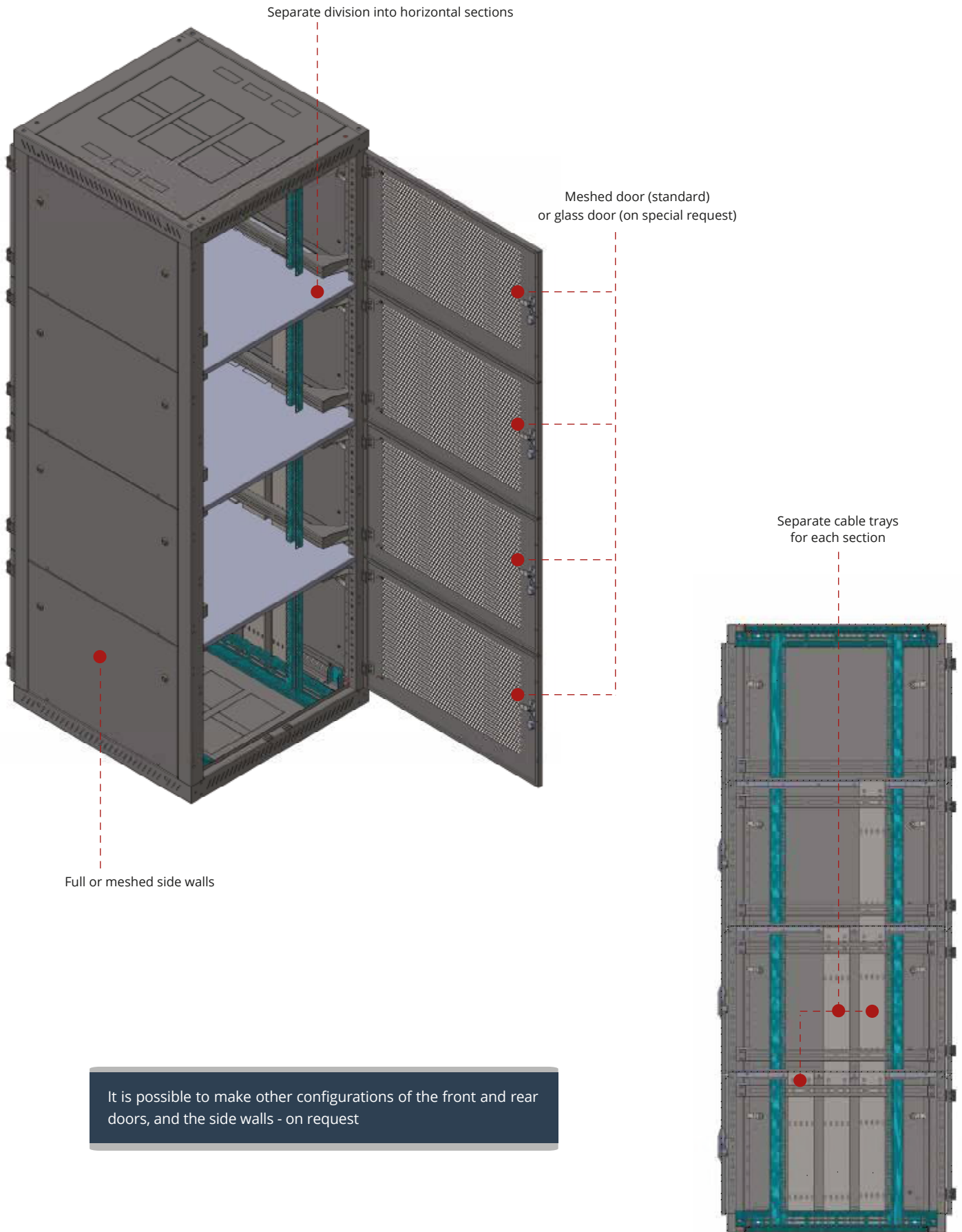
Available colours



RAL 7035



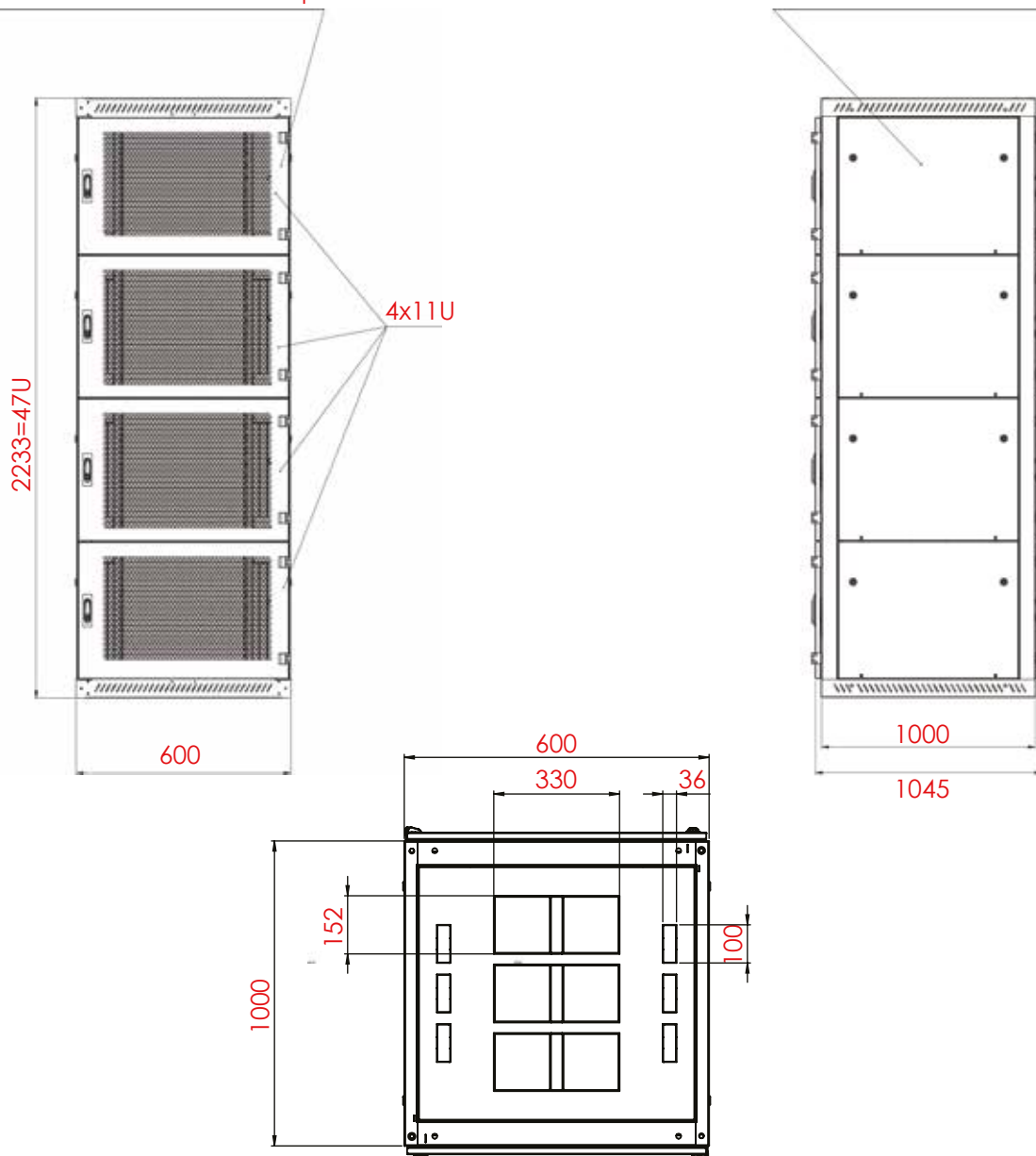
RAL 9005



It is possible to make other configurations of the front and rear doors, and the side walls - on request

Standard front and rear doors - perforated

Standard side walls - full cover



Product code	Width [mm]	Height [mm]	Depth [mm]	Door division [U]	External sections height [mm]	Colour	
						RAL7035	RAL9005
ACE19-68-S-KOL-2x23U	600	2233	800	2x23U	1063	✓	
ACE19-68-C-KOL-2x23U	600	2233	800	2x23U	1063		✓
ACE19-68-S-KOL-4x11U	600	2233	800	4x11U	510	✓	
ACE19-68-C-KOL-4x11U	600	2233	800	4x11U	510		✓
ACE19-610-S-KOL-2x23U	600	2233	1000	2x23U	1063	✓	
ACE19-610-C-KOL-2x23U	600	2233	1000	2x23U	1063		✓
ACE19-610-S-KOL-4x11U	600	2233	1000	4x11U	510	✓	
ACE19-610-C-KOL-4x11U	600	2233	1000	4x11U	510		✓
ACE19-812-S-KOL-8x5U	800	2233	1200	8x5U	245	✓	
ACE19-812-C-KOL-8x5U	800	2233	1200	8x5U	245		✓



UNDERFLOOR HEATING SYSTEMS CABINETS



Product available on request



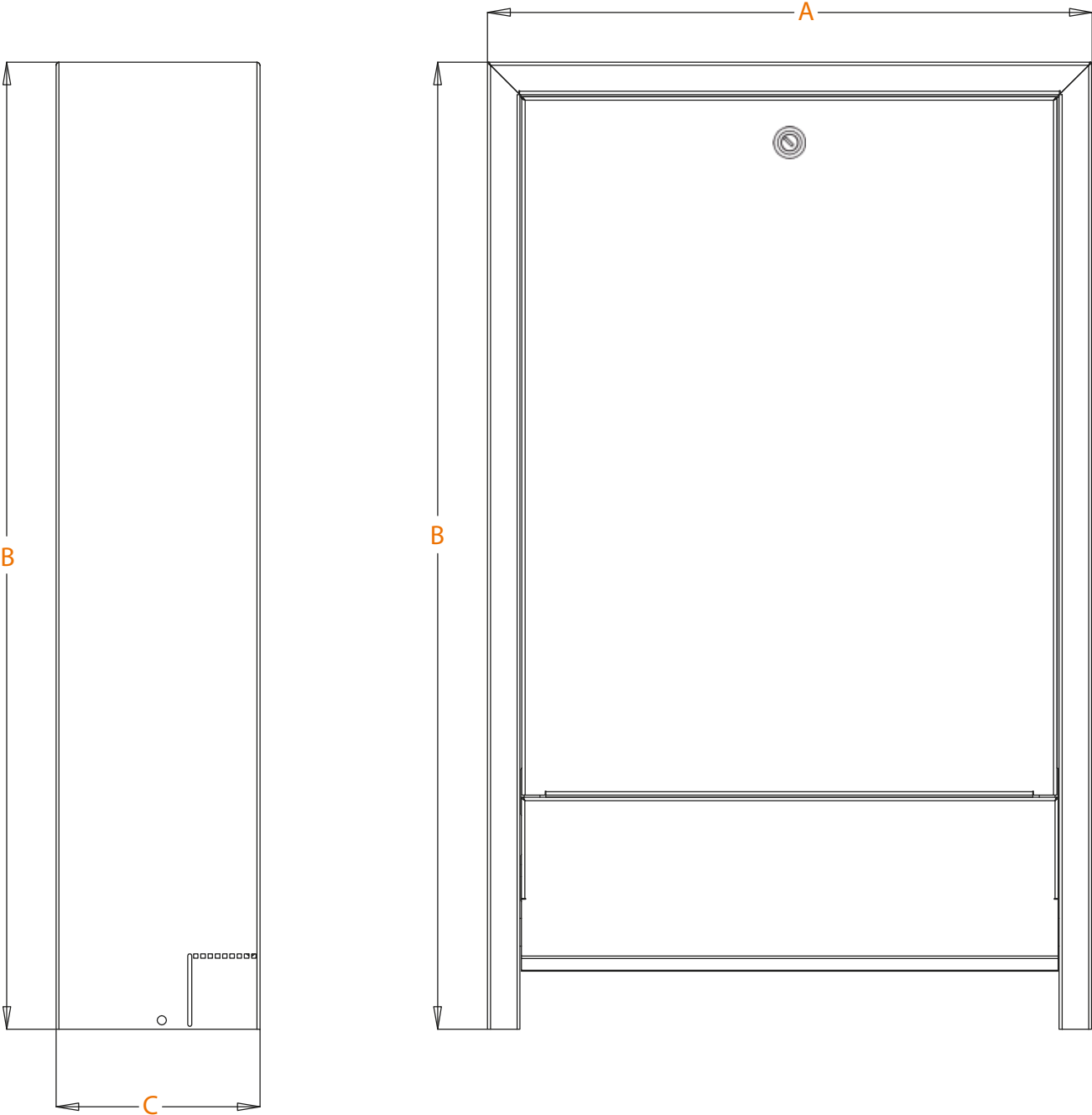
RAL 9003



Features:

- painted sheet steel construction
- designed for mounting central heating system distributors
- made in white RAL 9003
- plastic lock, which can be opened with flat screwdriver or coin

TYPE/ CAT. NO.	Number of circuits	Width [mm] A	Height [mm] B	Depth [mm] C
NS-0	2-4	400	640	130
NS-1	5-6	450	640	130
NS-2	7-8	530	640	130
NS-3	9-10	680	640	130
NS-4	11-13	830	640	130
NS-5	14-16	1030	640	130
NS-6	17-18	1130	640	130





☰ Product available on request



○ RAL 9003



Features:

- made of painted sheet steel
- designed for mounting central heating system distributors
- white colour RAL 9003
- plastic lock that can be opened with use of flat screwdriver or coin

TYPE/ CAT. NO.	Number of circuits	Width [mm]	Height [mm]	Depth [mm]
NSM-0	4	385	580	120
NSM-1	6	485	580	120
NSM-2	8	615	580	120
NSM-3	10	765	580	120
NSM-4	12	845	580	120
NSM-5	14	1015	580	120



Product available on request



RAL 9003

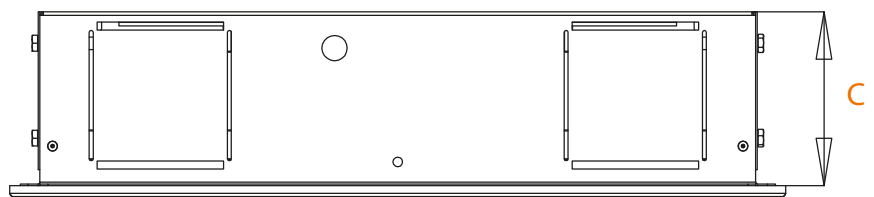
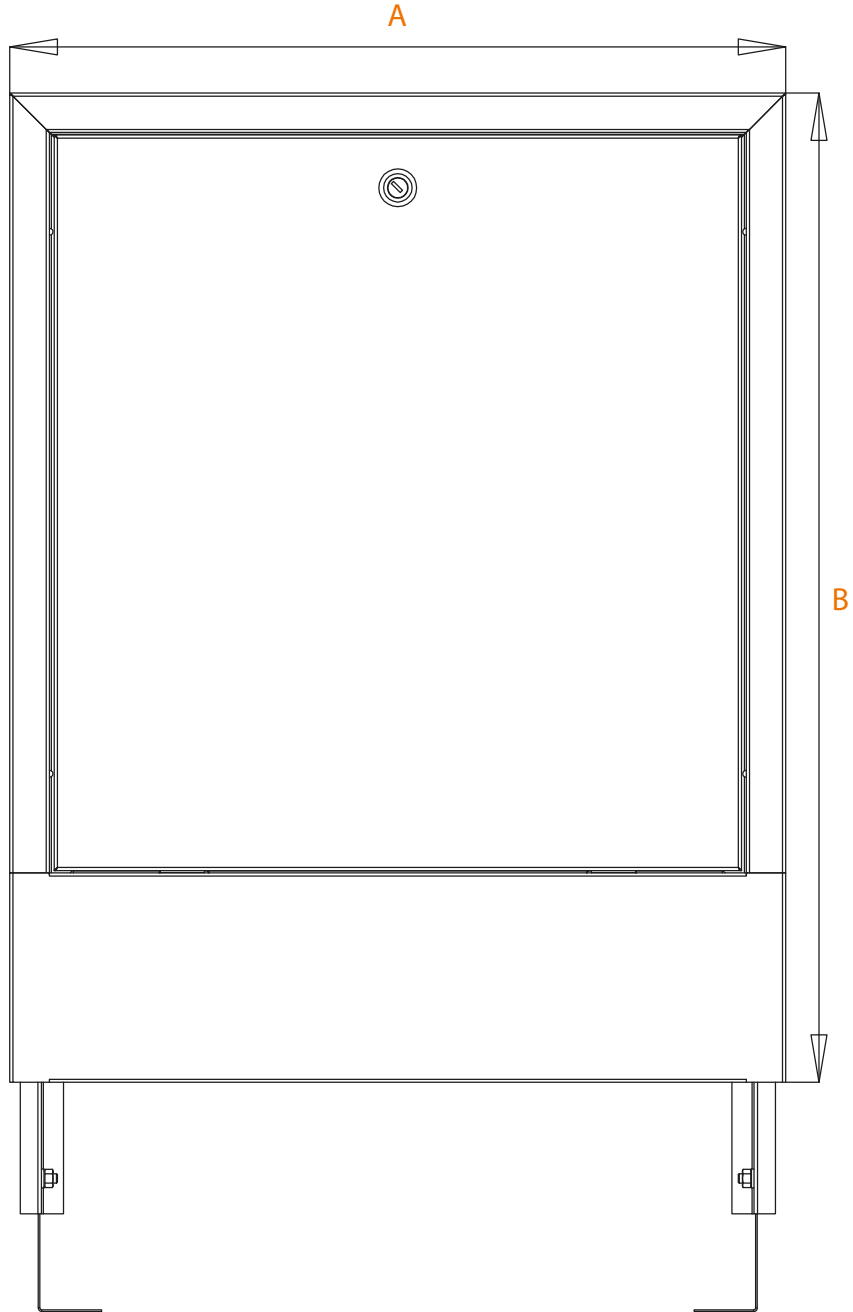
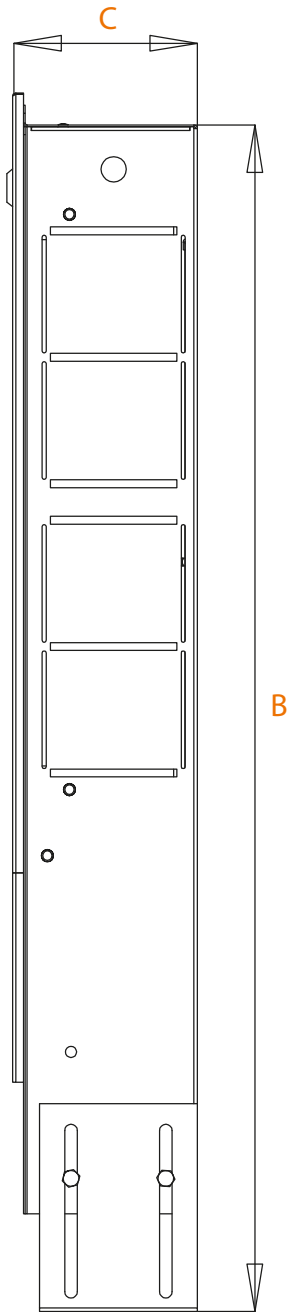


Features:

- body made of galvanized steel, frontal part made of painted sheet steel
- designed for mounting central heating system distributors
- white colour RAL 9003
- plastic lock that can be opened with use of flat screwdriver or coin



TYPE/ CAT. NO.	Number of circuits	Width [mm] A	Height [mm] B	Depth [mm] C
SP-0	2-4	400	705-805	110-160
SP-1	5-6	450	705-805	110-160
SP-2	7-8	530	705-805	110-160
SP-3	9-10	680	705-805	110-160
SP-4	11-13	830	705-805	110-160
SP-5	14-16	1030	705-805	110-160
SP-6	17-18	1130	705-805	110-160

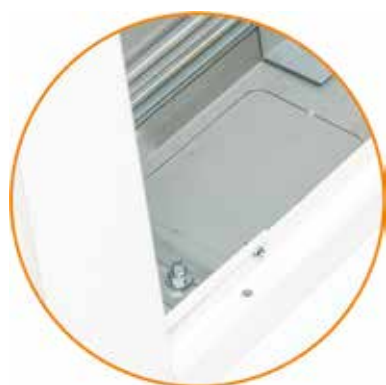




☰ Product available on request



○ RAL 9003



Features:

- body made of galvanized steel, frontal part made of painted sheet steel
- designed for mounting central heating system distributors
- white colour RAL 9003
- plastic lock that can be opened with use of flat screwdriver or coin



TYPE/ CAT. NO.	Number of circuits	Width [mm] A	Height [mm] B	Depth [mm] C
SPM-0	4	335	575-665	110-170
SPM-1	6	435	575-665	110-170
SPM-2	8	565	575-665	110-170
SPM-3	10	715	575-665	110-170
SPM-4	12	795	575-665	110-170
SPM-5	14	965	575-665	110-170



☰ Product available on request



○ RAL 9003



Features:

- painted sheet steel construction
- intended for the installation of gas installations and water meters
- made in white RAL 9003
- key lock

TYPE/ CAT. NO.	Width [mm]	Height [mm]	Depth [mm]
SWS 341	300	450	120
SWS-522	500	200	200
SWS-693.5	600	900	350
SWS-832	800	300	200
SWS-1042	1000	400	200
SWS-1452.5	1000	450	250



ACCESSORIES

earthing cables, blanking panels, protective glass

TH rail blanking panels

Cat. no.: 8-540



Pack of 60 pcs. combined in packages of 6 pcs.

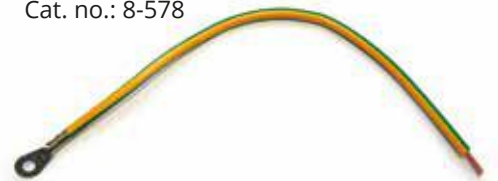
Earthing cable

Cat. no.: 8-576



Available length: 18cm

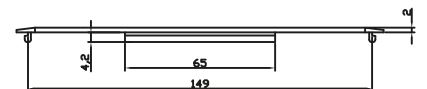
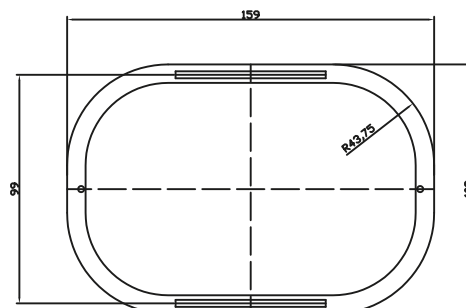
Cat. no.: 8-578



Available length: 30cm, 35cm, 45cm, 50cm

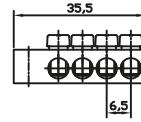
Oval glass for LV enclosures RL & NRL

Cat. no.: 8-577



Terminal bars

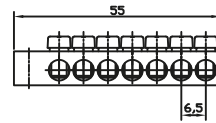
Code	Description	Max. wires diameter	Number of holes
L_U-6-0-35,5	4-way terminal bar	5,5 mm	4



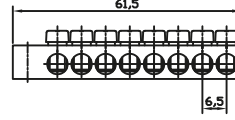
U-6-0-35,5

Terminal bars with flat insulators

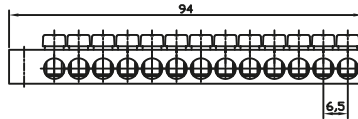
Code	Description	Max. wires diameter	Number of holes
LZP-12-0-55	7-way terminal bar flat insulator	5,5 mm	7
LZP-14-0-61,5	8-way terminal bar with flat insulator	5,5 mm	8
LZP-24-0-94	13-way terminal bar with flat insulator	5,5 mm	13
LZP-36-0-141	19-way terminal bar with flat insulator	5,5 mm	19
LZP-48-0-180	25-way terminal bar with flat insulator	5,5 mm	25



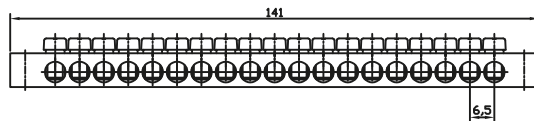
12-0-55



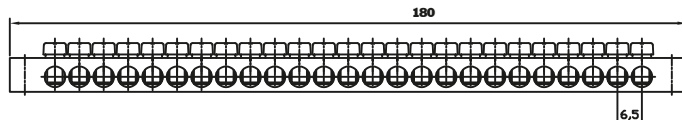
14-0-61,5



24-0-94



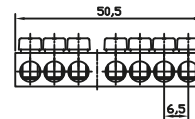
36-0-141



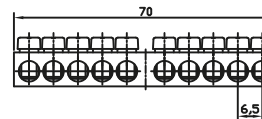
48-0-180

Euro rail terminal bars

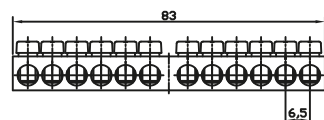
Code	Description	Max. wires diameter	Number of holes	Insulator colour	
				Blue	Yellow
LZE-12-0-50,5-N	7-way euro rail terminal bar	5,5 mm	7	✓	
LZE-12-0-50,5-Z	7-way euro rail terminal bar	5,5 mm	7		✓
LZE-18-0-70-N	8-way euro rail terminal bar	5,5 mm	8	✓	
LZE-18-0-70-Z	8-way euro rail terminal bar	5,5 mm	8		✓
LZE-22-0-83-N	12-way euro rail terminal bar	5,5 mm	12	✓	
LZE-22-0-83-Z	12-way euro rail terminal bar	5,5 mm	12		✓



E-12-0-50,5



E-18-0-70



E-22-0-83

terminal bars, meter panelboards

Terminal bars

Application:

The terminal bars are designed for common power supply neighboring modules of electrical devices in different types of electrical enclosures.

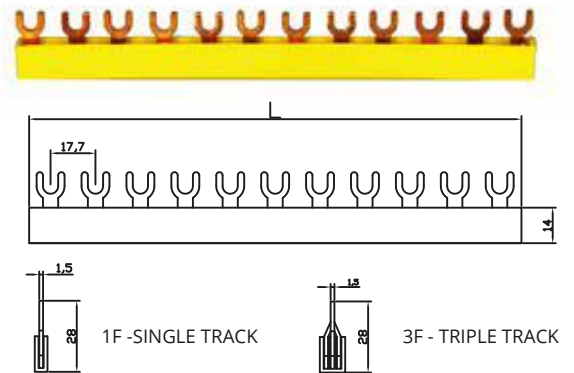
Made in accordance with the PN-EN 60947-1 standard

Technical characteristics:

Rated insulation voltage:	Ui = 500V
Short-circuit short-time current:	Iu = 10kA
Degree of pollution:	3
Continuous current rating:	In ≤ 100A

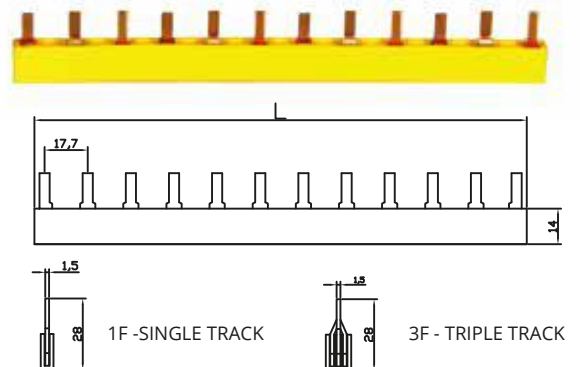
RST terminal bar

Code	Length (mm)	Number of terminal	Cross section (mm ²) / Load (A)	Number of rails
	L			
SZYNA 1F-200W	200	12	12/60	1
SZYNA 1F-1000W	1000	60	16/80	1
SZYNA 3F-200W	200	12	12/60	3
SZYNA 3F-100W	1000	60	16/80	3



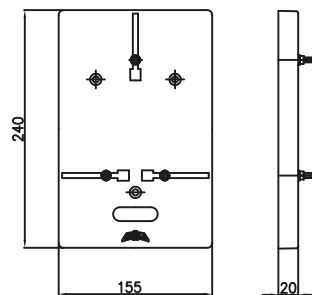
Szyna zaciskowa - prosta

Code	Length (mm)	Number of terminal	Cross section (mm ²) / Load (A)	Number of rails
	L			
1F-200P	200	12	12/60	1
1F-1000P	1000	60	16/80	1
3F-200P	200	12	12/60	3
3F-1000P	1000	60	16/80	3



Panelboard for a single meter

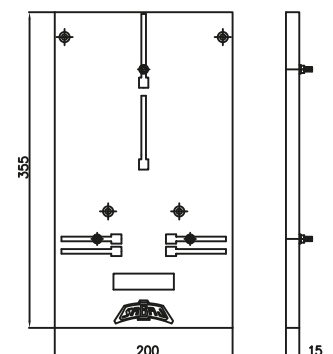
Cat. no.: 8-530



52 pieces in a set

Panelboard for a single meter

Cat. no.: 8-532

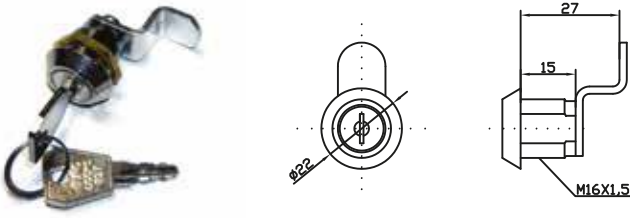


52 pieces in a set

Key lock (1 system)

for RP, RL, RPSM cabinets and RD type access doors

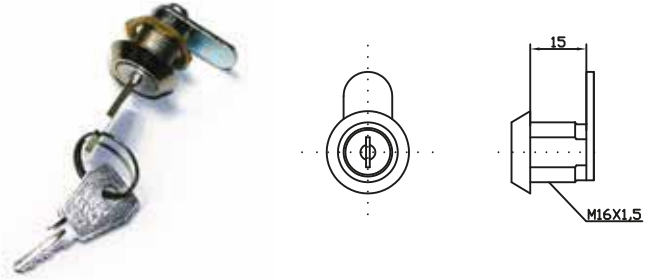
Cat. no.: 8-566



Key lock (1 system)

for NRP, NRL cabinets

Cat. no.: 8-568



Lock for RPT and FiberRPT

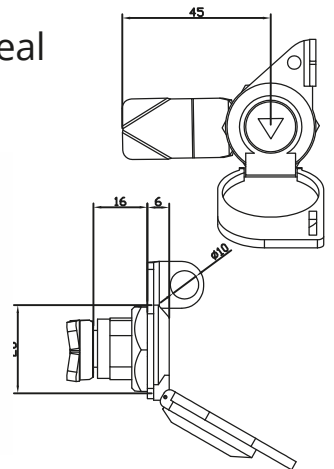
Cat. no.: Z-K-RPT



IP65 lock with a seal

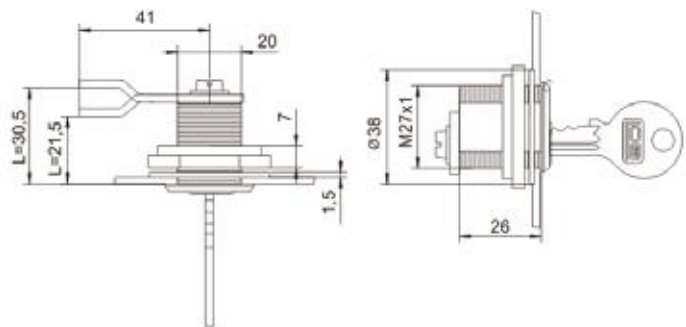
For RH enclosures

Cat. no.: 8-538



Master Key KR-35 lock with key

Cat. no.: Z-KR-35



locks and keys



IP65



Name	Cat. no.
Stainless steel lock	Zamek-SS-J45

Name	Cat. no.	Colour
Espagnolette lock	RS-400-7035	7035
Espagnolette lock	RS-400-9005	9005

Name	Cat. no.	Colour
Espagnolette lock	RS-750-7035	7035
Espagnolette lock	RS-750-9005	9005



Insert	Matches:
WRS-D5 (double-bit lock)	RS-400, RS-750

Patent insert	Matches:
WKL-PAT-WRS-P	RS-400, RS-750



Key 1333 in the standard
other codes keys available on request



Closure with the possibility of sealing
Fits all enclosures with patented locks

Name	Cat. no.
Closure with the possibility of sealing	19-500Z

RS-570



RH cabinets lock



Can be used in side and rear walls of
ACE, DELTA, BETA-LIGHT cabinets



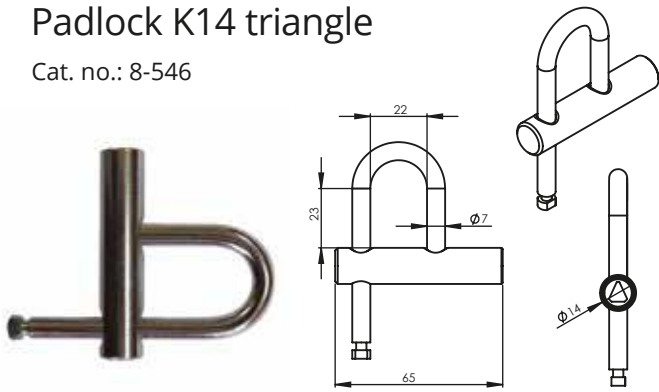
Patent lock
Suitable for enclosures type: RH, RH-SS, SWK, SWK-D

Name	Cat. no.
Door handle with a IP65 lock	RS-0065

	Shape	Insert code	Key code
IP 65 locks inserts		8-582	KLT9
		8-581	KLKW8
		8-570	RS-570

Padlock K14 triangle

Cat. no.: 8-546



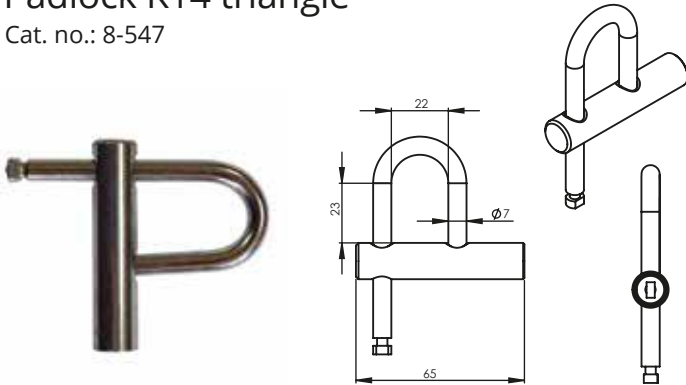
Padlock K14 triangle

Cat. no.: 8-569



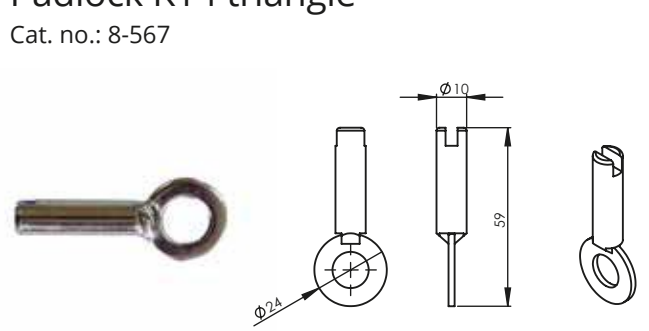
Padlock K14 triangle

Cat. no.: 8-547



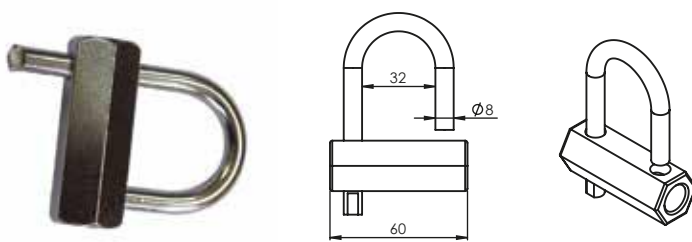
Padlock K14 triangle

Cat. no.: 8-567



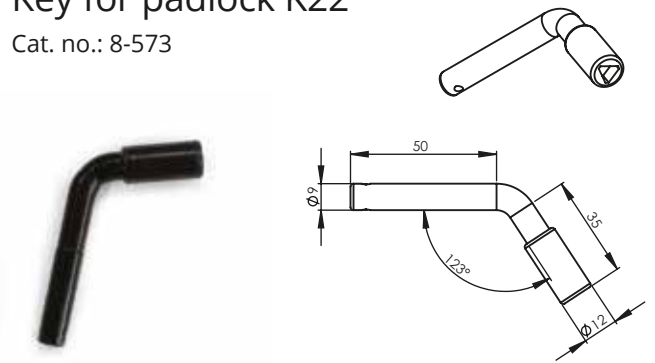
Padlock K14 triangle

Cat. no.: 8-548



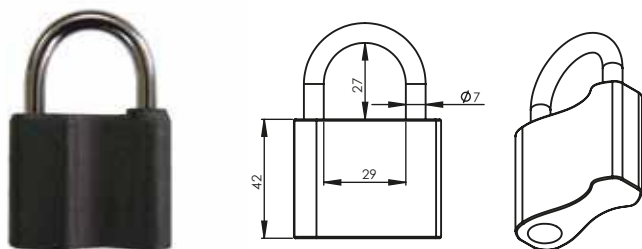
Key for padlock K22

Cat. no.: 8-573



Padlock 50/7

Cat. no.: 8-549

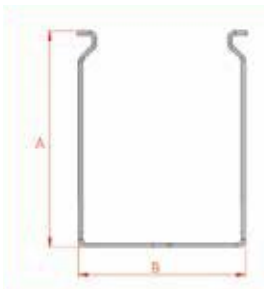


Key for padlock 50/7

Cat. no.: 8-569



cable trays, steam condensate trap



CABLE TRAYS

Type/Cat. no.	Type	Dimensions			Colour	Flammability
		width	height	length		
RS-KG-1040	tray	100	40	2000	SZARY	UL94V0
RS-KG-2525	tray	25	25			
RS-KG-2540	tray	25	40			
RS-KG-4040	tray	40	40			
RS-KG-6040	tray	60	40			
RS-KG-8040	tray	80	40			

IP 68



STEAM CONDENSATE TRAP

Type/Cat. no.	Hole diameter	Material	Colour	IP
RS-0101	60mm x 37mm	UL94V0	gray	68



150 W



100 W



10 W

SEMICONDUCTOR HEATERS

Type/Cat. no.	Dimensions			Heating power	Max inrush current	Voltage	Type and degree of protection
	width	height	depth				
RS-0010	100	40	75	10W	1,0A	120-240V	IP20 (double insulation)
RS-0011	25	25	75	20W	2,5A		
RS-0012	25	40	90	50W	2,5A		
RS-0013	40	40	90	100W	4,5A		
RS-0014	60	40	90	150W	8,0A		



ENCLOSURE HEATER WITH FANS

Type/Cat. no.	Dimensions		Operating output power	Operating input voltage	Degree of protection
	cross-section	length			
RS-0999 HEATER 100W	61x61mm	93mm	100W	115V-230V	IP 20
RS-0990 HEATER 200W	61x61mm	93mm	200W		
RS-1001 HEATER 500W	61x61mm	93mm	400W		

thermostats, vent, fan units



VENTILATION THERMOSTAT

Type/Cat. no.: 19-2500



HEATING NC THERMOSTAT

Type/Cat. no.: 19-2501



HUMIDISTAT

Type/Cat. no.: RS-0600

TERMOSTATY/HIGROSTATY

Cat. no.	Type	Protection degree	Obsolescence	Range of measurement	Switch power
19-2500	NO thermostat for ventilation control	IP 20	>100 000 cycles	0-60C	16A, 250V, AC
19-2501	NC thermostat for heating control	IP 20	>100 000 cycles		
RS-0600	Humidistat 0-60% RH	IP 20	>100 000 cycles		
RS-1050	Heating and ventilation thermostat	IP 20	>100 000 cycles		

BRACKET (suitable for HD & Delta cabinets)



a set of 2 pieces

Name	Type/ Cat. no.
Mounting rail bracket	RS-3518



VENTS

Name	Type/ Cat. no.
Inlet filter 250x250x28	RS-1525
Inlet filter 150x150x28	RS-1500

VENTS WITH FILTER



Type/ Cat. no.	Power	Efficiency	Protection	Mounting hole
RS-8000	AC 230V	55m3/h	IP 54	125x125mm
RS-8001		120m3/h		177x177mm
RS-8002		240m3/h		223x223mm
RS-8003		650m3/h		291x291mm

RAIL CONNECTORS



Type	Cat. no.	Dimensions			Colour
		width	length	cross section	
Threaded rail connector	RS-ZUG-G2,5ZO	5,2	8	2,5mm ²	yellow
Threaded rail connector	RS-ZUG-G4ZO	6,4	8	4mm ²	
Threaded rail connector	RS-ZUG-G10ZO	8	10	10mm ²	
Threaded rail connector	RS-ZUG-G16ZO	12	12	16mm ²	
Threaded rail connector	RS-ZUG-G2,5ZI	5,2	8	2,5mm ²	green
Threaded rail connector	RS-ZUG-G4ZI	6,4	8	4mm ²	
Threaded rail connector	RS-ZUG-G10ZI	8	10	10mm ²	
Threaded rail connector	RS-ZUG-G16ZI	12	12	16mm ²	
Threaded rail connector	RS-ZUG-G2,5NB	5,2	8	2,5mm ²	blue
Threaded rail connector	RS-ZUG-G4NB	6,4	8	4mm ²	
Threaded rail connector	RS-ZUG-G10NB	8	10	10mm ²	
Threaded rail connector	RS-ZUG-G16NB	12	12	16mm ²	
Threaded rail connector	RS-ZUG-G2,5CRW	5,2	8	2,5mm ²	red
Threaded rail connector	RS-ZUG-G4CRW	6,4	8	4mm ²	
Threaded rail connector	RS-ZUG-G10CRW	8	10	10mm ²	
Threaded rail connector	RS-ZUG-G16CRW	12	12	16mm ²	

COVER



Type	Cat. no.	Dimensions	Cover for:	Colour
		szer.		
Cover	RS-ZUG-PS-4ZO	1	ZUG-G2,5 i ZUG-G4	yellow
Cover	RS-ZUG-PS-10ZO	1	ZUG-G10	
Cover	RS-ZUG-PS-16ZO	1	ZUG-G16	
Cover	RS-ZUG-PS-4NB	1	ZUG-G2,5 i ZUG-G4	blue
Cover	RS-ZUG-PS-10NB	1	ZUG-G10	
Cover	RS-ZUG-PS-16NB	1	ZUG-G16	
Cover	RS-ZUG-PS-4CRW	1	ZUG-G2,5 i ZUG-G4	red
Cover	RS-ZUG-PS-10CRW	1	ZUG-G10	
Cover	RS-ZUG-PS-16CRW	1	ZUG-G16	
Cover	RS-ZUG-PS-4ZI	1	ZUG-G2,5 i ZUG-G4	green
Cover	RS-ZUG-PS-10ZI	1	ZUG-G10	
Cover	RS-ZUG-PS-16ZI	1	ZUG-G16	

KU holders, markers

KU HOLDER

Type/ Cat. no.	Dimensions	Cover for	Colour
	width		
Holder RS-KU-1/35ZO	10	TS-35	yellow
Holder RS-KU-2/35ZO	10	TS-35	
Holder RS-KU-3/35ZO	13	TS-35, TS2X35AI (od strony ramion)	
Holder RS-KU-1/35ZI	10	TS-35	green
Holder RS-KU-2/35ZI	10	TS-35	
Holder RS-KU-3/35ZI	13	TS-35, TS2X35AI (od strony ramion)	
Holder RS-KU-1/35NB	10	TS-35	green
Holder RS-KU-2/35NB	10	TS-35	
Holder RS-KU-3/35NB	13	TS-35, TS2X35AI (od strony ramion)	
Holder RS-KU-1/35CW	10	TS-35	red
Holder RS-KU-1/35CW	10	TS-35	
Holder RS-KU-1/35CW	13	TS-35, TS2X35AI (od strony ramion)	



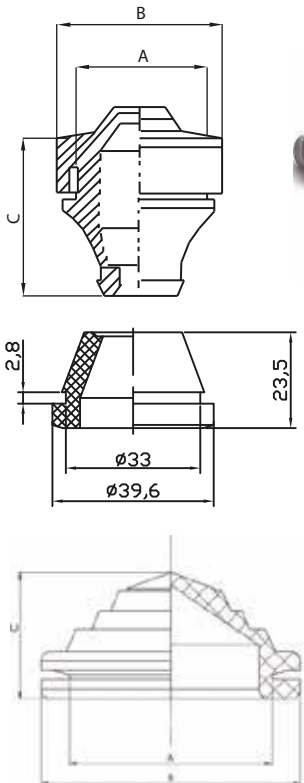
MARKERS DK/Z-6

Type/ Cat. no.	Insulating material	Printing	Ambient temperature	Colour	Quantity in package			
MARKER	PLASTICISED PCW	"1...10"...D0	"101...110"...H0	"201...10"...S0	10"...T0	-30 to 100°C	White	250 pcs.
		"11...20"...D1	"111...120"...H1	"211...20"...S1	20"...T1			
		"21...30"...D2	"121...130"...H2	"221...30"...S2	"321...3			
		"31...40"...D3	"131...140"...H3	"231...40"...S3	"331...3			
		"41...50"...D4	"141...150"...H4	"241...50"...S4	50"...T4			
		"51...60"...D5	"151...160"...H5	"251...60"...S5	60"...T5			
		"61...70"...D6	"161...170"...H6	"261...70"...S6	"361...3			
		"71...90"...D7	"171...180"...H7	"271...80"...S7	80"...T7			
		"81...90"...D8	"181...190"...H8	"281...90"...S8	90"...T8			
		"91...100...D9	"191...200"...H9	"291...300"...S9	"391...4			



MARKERS DK/Z-5

Type/ Cat. no.	Insulating material	Printing	Ambient temperature	Colour	Quantity in package		
MARKER DK/Z-5/1-72_--	PLASTICISED PCW	"...0-	"L1"...L1	"1...10"...D0	-30 to 100°C	White	250 pcs.
		"...0/	"L2"...L2	"11...20"...D1			
		"...0:	"L3"...L3	"21...30"...D2			
		"...0+	"L1, L2, L3"	"31...40"...D3			
		"...0,	...L X	"41...50"...D4			
		"...0~	" P E "	"51...60"...D5			
		"...0.	... p E	"61...70"...D6			
		"...0;	" P E N "	"71...90"...D7			
		"...0=	... P P	"81...90"...D8			
		"...ma	"BEZ"	"91...100...D9			



Rubber cable grommet



Cable grommets

CABLE GROMMETS

Type/ Cat. no.	Colour	Dimensions (mm)			
		A	B	C	Diameter of the wire
RS-6700	grey	16	20	19	15
RS-6701	grey	19	24	21	18
RS-6702	grey	23	28	23	22
RS-6703	grey	29	34	26	28
RS-6704	grey	48	57,5	33	46
RS-6733	black	33	39,6	23,5	32
CABLE GROMMETS FI 22	black	22	27	14,3	1÷17
CABLE GROMMETS FI 28	black	18	34	20,5	4÷22
CABLE GROMMETS FI 33	black	33	41	20	4÷28
CABLE GROMMETS FI 37	black	37	48	21	12÷37

CABLE GLANDS - MULTIGATE

for DELTA / RH / RH INOX / HD CABINETS



Type/ Cat. no.	The number of wires	Colour	Protection degree
RS-MC-25/27	2x200-26mm	GREY	IP 66
	4x14-20mm		
	13x10-14mm		
	4x5-6mm		
	27 wires		
RS-MC-35/37	1x17-32mm		
	2x12-18mm		
	16x10-14mm		
	14x8-12mm		
	4x6-10mm		
	37 wires		
RS-MC-25	1x20-26mm		
	4x14-20mm		
	12x10-14mm		
	4x8-12mm		
	4x5-7mm		
	25 wires		
RS-MC-35	1x17-32mm		
	2x12-18mm		
	16x10-14mm		
	14x8-12mm		
	2x6-10mm		
	35 wires		
RS-MC-K4SZT	A set of rivets necessary for assembly cable glands		

cabinet lighting, door opening sensor



CABINET LIGHTING

Type/ Cat. no.	Power consumption	Brightness	The type of light source	Type of fixing	Switch power	Voltage
RS-1005	MAX 5W	290 LM	LED diodes, Angle of light 120 Light colour: bright day light temp: 6500k	Screw fixing, M5 250mm hole	IP20/II	230V
RS-1010	MAX 5W	290 LM	LED diodes, Angle of light 120 Light colour: bright day light temp: 6500k	Magnetic mounting	IP20/II	230V

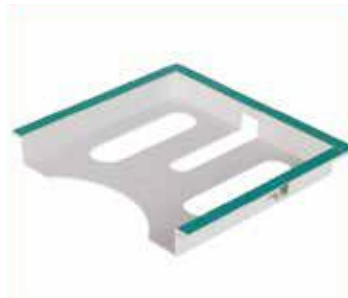


DOOR OPEN SENSOR

Type/ Cat. no.	Colour	Type
RS-CD01	white	N/O

Fits all ACE / DELTA / BETA-LIGHT / WR / HD standing cabinets

assembly set included



POCKET FOR A4 DOCUMENTATION

Name	Type/ Cat. no.
Pocket for A4 documentation	RS-2900



SWING FRAME MRW

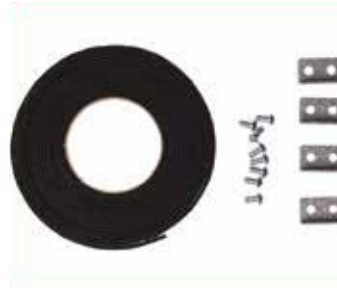
"U" Dimension	Product code	Dedicated for	
6U	DLT.06.01	DELTA cabinets with a width of 600, 800 and 1200 mm	To install 600mm & 800mm wide DELTA cabinets it is necessary to order 4 pieces: lengthwise profile RS-PW3723-XX or strengthen lengthwise profile RS-PWW8723-XX To install 1200mm wide DELTA cabinets it is necessary to order 4 pieces: lengthwise profile RS-PW3723-XX or a strengthen lengthwise profile RS-PWW8723-XX and two pieces of: RS-BD5225-XX
9U	DLT.06.02		
12U	DLT.06.03		
15U	DLT.06.04		
18U	DLT.06.05		

ACCESSORIES

transport handles, cabinets connectors, earthing rails, pockets, swing frame



Name	Type/ Cat. no.
Transport handle 1 pc.	RS-3400



Name	Type/ Cat. no.
A set for connecting Delta cabinets	RS-1004



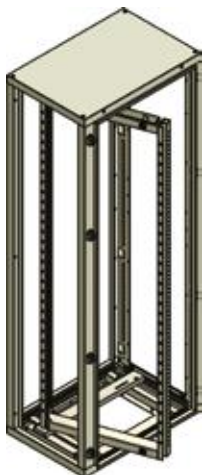
Name	Type/ Cat. no.
Earthing rails	RS-1105



HANGING CABINETS BRACKETS

Name	Type/ Cat. no.
Galvanized steel bracket	RS-1205
Stainless steel bracket	RS-1206

Dedicated for cabinets:
RH
RH-TWIST
RH-SS
RH-SS-7035



SWING FRAME ASSEMBLY KIT

Name	Type/ Cat. no.	Cabinet width [MM]	Cover for central location (optionally)	Cover for left/right location (optionally)	Swing frame category number
Mounting kit 600	SF-ZM-06	600	none	none	SF-16
Mounting kit 800	SF-ZM-08	800	SF-MC-800	SF-MLP-800	SF-18
Mounting kit 1200	SF-ZM-12	1200	none	none	SF-20

Fits all standing
DELTA series cabinets

A mounting kit that matches the width of the
cabinet should be ordered with the frame.

TH rails, paint, mounting bars



TH RAIL

Name/code	Length [mm]
TH L-173	173
TH L-218	218
TH L-243	243
TH L-260	260
TH L-390	390
TH L-500	500
TH L-950	950
TH L-600	600
TH L-750	750
TH L-800	800
TH L-1000	1000
TH L-1200	1200
TH L-1250	1250
TH L-2000	2000

TOUCH-UP PAINT

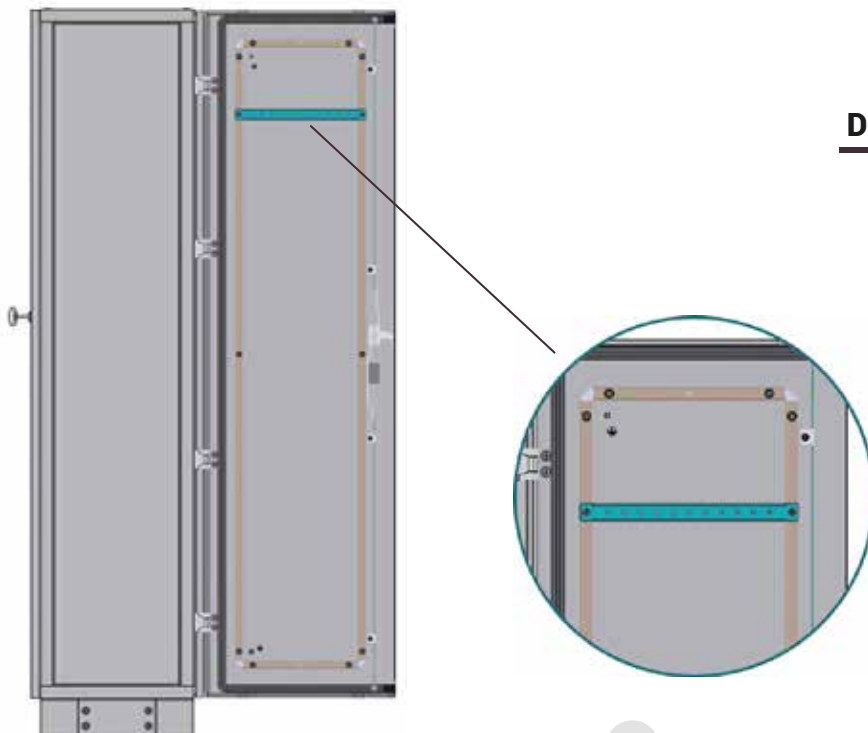
Type/ Cat. No.	Capacity	Colour
RS-9003	50ml	RAL-9003
RS-7035		RAL-7035
RS-9005		RAL-9005

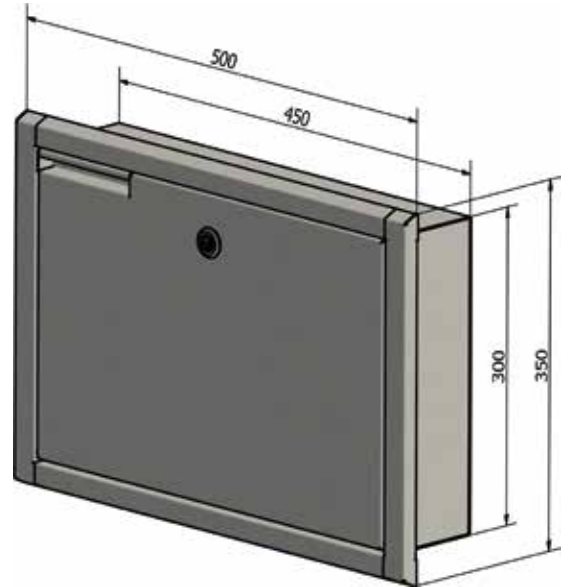
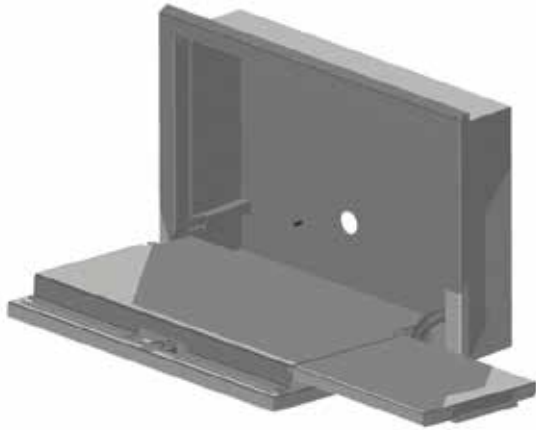


DOOR MOUNTING BARS (4 items / set)

For DELTA/HD/RH cabinets

Type/ Cat. No.	For cabinets with a width
RS-P080	800
RS-P060	600/1200
RS-P100	1000





SHELF FOR KEYBOARD AND MOUSE

Fits Delta/HD/RH cabinets

Name	Cat. No.
Lada na klawiaturę i mysz (składana)	RS-1800



SELF-TAPPING SCREW

Name	Cat. No.	Quantity
Screws TORX M6x10	RS-W612	10 pcs.

Screws for assembly elements in cabinets DELTA / HD



CAGE NUTS

Name	Cat. No.
Cage nuts	RS-NK-8x13

Suitable for Delta and HD cabinets

drawer for keyboard and mouse



DRAWER FOR KEYBOARD AND MOUSE

Universal drawer for mounting in desks or in WOPC series cabinets.

Type/ Cat. No.	Colour
PK-01	RAL 7035

Features:

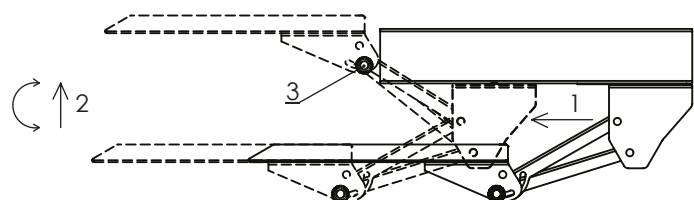
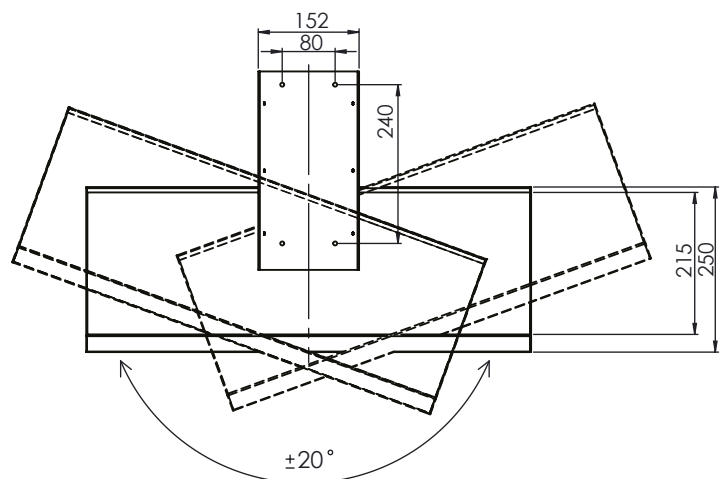
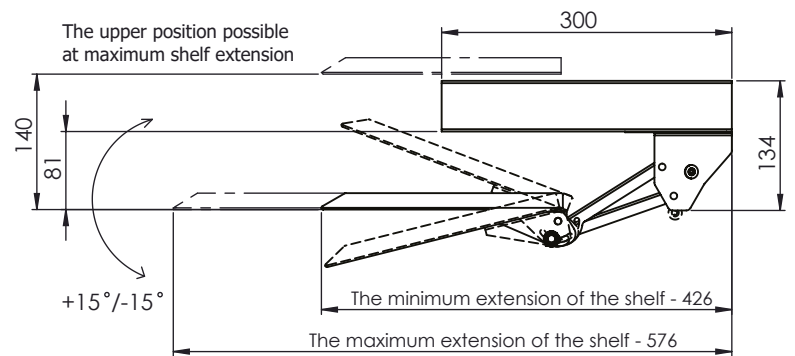
- tilt angle adjustment in 2 planes
- pull-out shelf
- mounting screws included
- keyboard height adjustment

Assembly:

Mounted with 4 supplied screws in the package. Note - depending on the specificity of the surface may be necessary selection of other assembly elements.

The drawer extension method:

1. Extend the drawer
2. Set the height and angle
3. Secure by twisting the knobs



10" Power distribution unit

Plastic power distribution unit with metal handles.

CE & B certified.



Product name	Operating voltage	Switch	Dimensions (mm)			Material	Cable length	Colour	Product code
			width	height	depth				
4-way power distribution unit 10" + switch	230V, 50Hz	Illuminated on/off switch	255	63	70	Flame retardant ABS plastic	1,5 m	Grey	10-0001S
								Black	10-0001C

unequipped



equipped

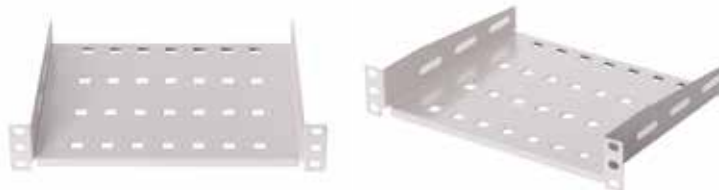


Patch Panel 10" 1U

Product name	Number of ports	Termination category colour blocks	Port type	Category	Colour	Product code
10" Patch Panel 12P RJ 45 unequipped	12	-	-	-	Black	10-0003
10" Patch Panel 12Port Cat5e equipped	12	LSA	RJ 45	Cat5e	Black	10-0004

10" Shelves 1U

Shelves offer a simple way to effectively organize hardware such as: routers, modems, switches etc



Product name	Material	Type of fixing	Load capacity	Dimensions (mm)			Colour	Product code
				height	width	depth		
10" Fixed shelf 190mm	DC01 steel 1.2 mm	2-point mounting (front)	5 kg	1U (44)	255	190	Grey (RAL 7035)	10-0006S
							Black (RAL 9005)	10-0006C
10" Fixed shelf 150mm	DC01 steel 1.2 mm	2-point mounting (front)	5 kg	1U (44)	255	150	Grey (RAL 7035)	10-0006S
							Black (RAL 9005)	10-0006C

Blanking Panel 10"



Product name	Dimensions (mm)			Material	Colour	Product code
	height	width	depth			
	H	W	D			
Blanking panel 10"	1U (44)	255	3	DC01 steel 1.2 mm	Grey (RAL 7035)	10-0007S
					Black (RAL 9005)	10-0007C

Cable Management Brush 10"



Product name	Dimensions (mm)			Colour	Product code
	height	width	depth		
	H	W	D		
Cable Management Brush 10" 1U	1U (44)	255	3	Grey (RAL 7035)	10-0008S
				Black (RAL 9005)	10-0008C

Metal cable management bar 10"



Product name	Dimensions (mm)			Colour	Product code
	height	width	depth		
	H	W	D		
Metal cable management bar 10"	1U (44)	255	54	Grey (RAL 7035)	10-0009S
				Black (RAL 9005)	10-0009C

Cable management bar 10" - plastic shunting rings

Cable management bar made of infrangible ABS plastic
Shunting rings can be rotated to adapt it to specific needs



Product name	Dimensions (mm)			Colour	Product code
	height	width	depth		
	H	W	D		
Cable management bar 10" - plastic shunting rings	1U (44)	255	60	Grey (RAL 7035)	10-0010S
				Black (RAL 9005)	10-0010C

Fibre-optic splicing box 10" - rear

Rear part of fiber optic splicing box.
Front part is sold separately.



Product name	Dimensions (mm)			Colour	Product code
	W	S	G		
Fibre-optic splicing box 10" (without front part)	1U (44)	255	200	Grey	10-0011S
				Black	10-0011C

Front part fibre-optic splicing box 10"

Front part of the fibre-optic splicing box.
Mounting screws included.



Product name	Colour	Product code
Fibre optic splicing box - front part 10" 1U 12xSC (non equipped)	Grey	10-0012S
	Black	10-0012C
Fibre optic splicing box - front part 10" 1U 12xST (non equipped)	Grey	10-0013S
	Black	10-0013C
Fibre optic splicing box - front part 10" 1U 24xST (non equipped)	Grey	10-0014S
	Black	10-0014C
Fibre optic splicing box - front part 10" 1U 12xSC DUPLEX (non equipped)	Grey	10-0015S
	Black	10-0015C

patchcords

Patchcord cat 5

High quality category 5e network cables made of copper. PCV covered with RJ45 plug.



Product name	Lenght	Colour	Product code
Patchcord cat 5e RJ45	0,5 m	White	19-0001B
		Red	19-0001CZE
		Black	19-0001C
		Blue	19-0001N
		Grey	19-0001S
		Green	19-0001Z
		Yellow	19-0001Ž
	1 m	White	19-0002B
		Red	19-0002CZE
		Black	19-0002C
		Blue	19-0002N
		Grey	19-0002S
		Green	19-0002Z
		Yellow	19-0002Ž
	2 m	White	19-0003B
		Red	19-0003CZE
		Black	19-0003C
		Blue	19-0003N
		Grey	19-0003S
		Green	19-0003Z
		Yellow	19-0003Ž
	3 m	White	19-0004B
		Red	19-0004CZE
		Black	19-0004C
		Blue	19-0004N
		Grey	19-0004S
		Green	19-0004Z
		Yellow	19-0004Ž
5 m	White	19-0005B	
	Red	19-0005CZE	
	Black	19-0005C	
	Blue	19-0005N	
	Grey	19-0005S	
	Green	19-0005Z	
	Yellow	19-0005Ž	

Patchcord cat 6

High quality 6 category gigabit ethernet cable, made of copper. PCV covered with RJ45 plug



Product name	Lenght	Colour	Product code
Patchcord cat 6	0,5 m	White	19-0006B
		Red	19-0006CZE
		Black	19-0006C
		Blue	19-0006N
		Grey	19-0006S
		Green	19-0006Z
		Yellow	19-0006Ž
	1 m	White	19-0007B
		Red	19-0007CZE
		Black	19-0007C
		Blue	19-0007N
		Grey	19-0007S
		Green	19-0007Z
		Yellow	19-0007Ž
	2 m	White	19-0008B
		Red	19-0008CZE
		Black	19-0008C
		Blue	19-0008N
		Grey	19-0008S
		Green	19-0008Z
		Yellow	19-0008Ž
	3 m	White	19-0009B
		Red	19-0009CZE
		Black	19-0009C
		Blue	19-0009N
		Grey	19-0009S
		Green	19-0009Z
		Yellow	19-0009Ž
	5 m	White	19-0010B
		Red	19-0010CZE
Black		19-0010C	
Blue		19-0010N	
Grey		19-0010S	
Green		19-0010Z	
Yellow		19-0010Ž	



Patch Panel 19"

Product name	Category	Shielded	Product code
Patch Panel 19" RJ45 24 port Cat5e UTP	Cat5e	NO	19-0011
Patch Panel 19" RJ45 48 port Cat5e UTP	Cat5e	NO	19-0012
Patch Panel 19" RJ45 24 port Cat6e UTP	Cat6	NO	19-0013
Patch Panel 19" 24x FTP-Cat5e	Cat5e	NO	19-0014
Patch Panel 19" 24x FTP-Cat6	Cat6	NO	19-0015
Patch Panel empty 24 sockets - WHITE	-	NO	19-0016S
Patch Panel empty 24 sockets - BLACK	-	NO	19-0016C
Patch Panel empty 12 sockets	-	NO	19-0017C
			19-0017S

Keystone Modules

Keystone modules for patch panels, wall-mounted/flush-mounted sockets and FibeRPT / FttMAX / MultiAlfa cabinets

Product name	Product code
Keystone module Car5e RJ45	19-0017B
Keystone module Cat6 RJ45	19-0018
Keystone module F	19-0102
Keystone module F-TV/IEC	19-0103
Keystone module ST Simplex	19-0104
Keystone module SC Simplex	19-0105
Keystone adapter for DIN rail	19-0106
Keystone module HDMI	19-0107
Keystone module USB/A - gn USB/A USB 2.0	19-0108
Keystone module LC DUPLEX	19-0109
Keystone module BNC	19-0111
Keystone module PLUS STP Cat6 RJ45 - tool-less	19-0112

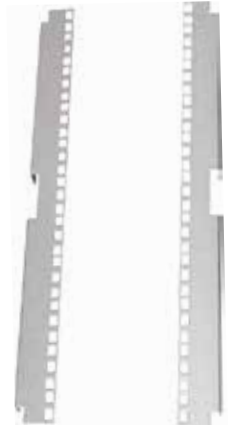


mounting profiles, cable management

19" Mounting profile dedicated to Simple type cabinets

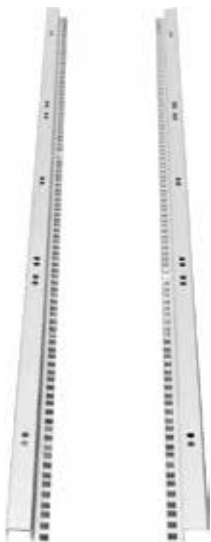
Rack profiles suitable for Simple type cabinets. 2 mounting screws included.

Product name	Height	Thickness	Load capacity (pair)	
Mounting profile(1pc) 19" 3U Simple	3U	1,5 mm	40 kg	19-0022
Mounting profile(1pc) 19" 4U Simple	4U			19-004U
Mounting profile(1pc) 19" 6U Simple	6U			19-0023
Mounting profile(1pc) 19" 9U Simple	9U			19-0024
Mounting profile(1pc) 19" 12U Simple	12U			19-0025



Mounting profiles 19" (1 pc)

Mounting profiles for cabinets: ACE, BETA, SWK, SWK-D, SIDE-O, SIDE-O-D. Please specify the type of cabinet in the order.



Product name	Height	Thickness	Product code
Mounting profile (1pc) 19" 6U - SIDE	6U	2 mm	19-0026-SIDE
Mounting profile (1pc) 19" 9U	9U		19-0027
Mounting profile (1pc) 19" 12U	12U		19-0028
Mounting profile (1pc) 19" 15U	15U		19-0029
Mounting profile (1pc) 19" 18U	18U		19-0030
Mounting profile (1pc) 19" 24U	24U		19-0031
Mounting profile (1pc) 19" 32U	32U		19-0032
Mounting profile (1pc) 19" 42U	42U		19-0033
Mounting profile (1pc) 19" 45U	45U		19-0034
Mounting profile (1pc) 19" 47U	47U		19-047U
Center profile (1pc) 19" 24U	24U		19-0031-SR
Center profile (1pc) 19" 32U	32U		19-0032-SR
Center profile (1pc) 19" 42U	42U		19-0033-SR
Center profile (1pc) 19" 45U	45U		19-0034-SR
Center profile (1pc) 19" 47U	47U		19-047U-SR

Metal cable management panels



Product name	Height	Number of hooks	Colour	Product code
Metal cable tray with cable entry WB-S 1U	1U	-	Grey	19-0035S
Metal cable tray with cable entry WB-S 1U			Black	19-0035C
Metal cable tray with cable entry WB-S 2U	2U	-	Grey	19-0036S
Metal cable tray with cable entry WB-S 2U			Black	19-0036C
Horizontal metal cable tray WB-S 1U	1U	5	Grey	19-0037S
Horizontal metal cable tray WB-S 1U			Black	19-0037C

Cable management panel with plastic shunting rings



Cable management panel with plastic shunting rings. 90-degree rotation ensures possibility of any configuration of shunting rings

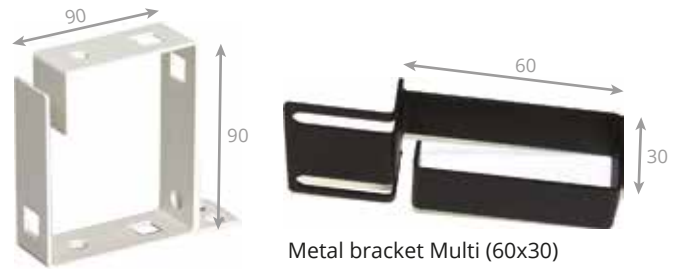
Product name	Colour	Product code
Horizontal / vertical cable management panel with plastic shunting rings	Grey	19-0038S
	Black	19-0038C

Shunting ring (D-ring) - plastic

Shunting ring(D-Ring) - made of durable and unbreakable ABS plastic.
Can be installed in any 10x10 mm hole in steel with a thickness of 0.8 to 1.5 mm



Product name	Dimensions (mm)			Thickness of material	Colour	Product code
	width	height	thickness			
Universal plastic shunting ring bracket	42	60	10	6 mm	White	19-0039B
					Black	19-0039C



Metal loop cable management bracket

Product name	Dimensions (mm)			Weight (kg)	Colour	Product code
	width	height	thickness			
Metal loop cable management bracket 60x60	60	25	60	0,065	Grey	19-0040S
					Black	19-0040C
Metal loop cable management bracket 90x90	90	25	90	0,082	Grey	19-0041S
					Black	19-0041C
Metal loop cable management bracket 60x30	30	20	60	0,055	Grey	19-0042S
					Black	19-0042C

Pulpit do zarabiania Patch Paneli

Provides a comfortable twisted pair to plug, providing a solid support.

Installation on RACK profiles.



Product name	Product code
Shelf for working with patchpanels	19-0017

power distribution units



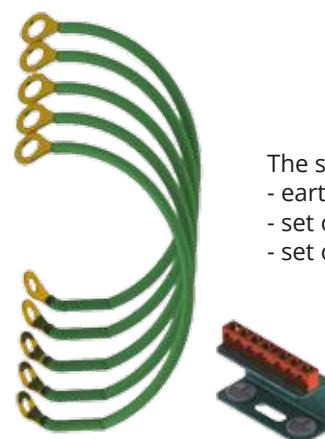
19" Power distribution unit

Product name	Dimensions (mm)			Technical parameters	Colour	Product code
	width	height	thickness			
19" 5-way power distribution unit, 3m, switch/surge protector	483	54	54	5 x 250 V, 10 A	Grey	19-0043S
				Black	19-0043C	
19" 8-way power distribution unit, 3m, switch/surge protector				8 x 250 V, 10 A	Grey	19-0044S
				Black	19-0044C	
19" 8-way power distribution unit, 3m, switch/surge protector/surge suppressor				8 x 250 V, 10 A	Grey	19-0045S
				Black	19-0045C	
19" 8-way power distribution unit, 3m, switch/surge protector/surge suppressor				9 x 250 V, 10 A	Grey	19-0045S
	Black	19-0046C				
19" 9-way power distribution unit, 3m, switch	483	54	54	18 x 250 V, 10 A	Grey	19-0346S
				Black	19-0346C	
9 way power distribution unit, UPS plug				9 x 250 V, 10 A	Black	19-0147
Power distribution unit dedicated to multimedia cabinets	203	41	49	3 x 250 V, 10 A	Grey	LZ3GN
19" vertical 18-way power distribution unit, Unishuko, switch	920	45	49	18 x 250 V, 16 A	Black	19-0047
19" vertical 18-way power distribution unit, IEC 320 C13	732	44	70	18 x 230 V, 10 A		19-0354

Earthing kit for hanging cabinets

Product name	Cabinet model	Product code
Earthing kit for hanging cabinets	SELY	19-0162-A
	SWK	
	SWK-D	
Earthing kit for hanging cabinets	SIDE-O	19-0162-B
	SIDE-OD	
	SZWS	
	SZW-10	

Kits differ from each other with the diameter of the hole in the wires



The set includes:
 - earthing rail
 - set of wires
 - set of fastener



19" 1U Shelves

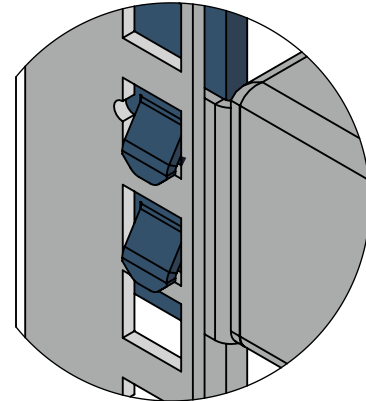
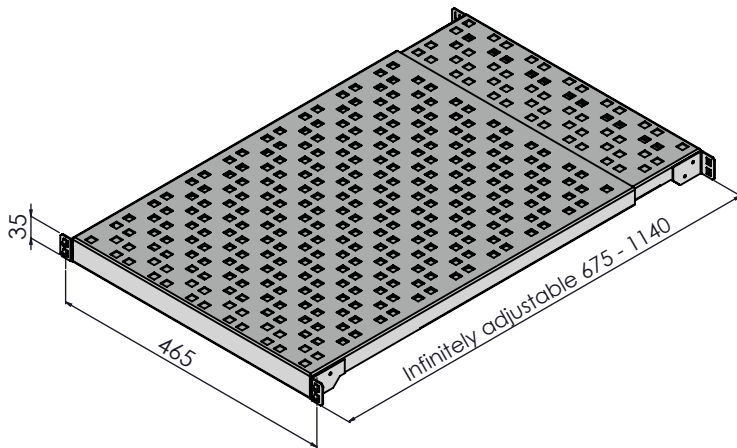
Product name	Rear bracket	Dimensions (mm)			Minimum depth of cabinet	Weight (kg)	Load capacity (kg)	Colour	Product code
		width	height	depth					
1U Shelf, depth: 200 mm	NO	483	1U (44)	200	400	1,2	15	Szary	19-0155S
								Czarny	19-0155C
1U Shelf, depth: 250 mm	NO	483	1U (44)	250	400	1,5	15	Szary	19-0046S
								Czarny	19-0046C
1U Shelf, depth: 300 mm	NO	483	1U (44)	300	400	1,6	15	Szary	19-0156S
								Czarny	19-0156C
1U Shelf, depth: 350 mm	NO	483	1U (44)	350	400	1,8	15	Szary	19-0142S
								Czarny	19-0142C
1U Shelf, depth: 400 mm	YES	483	1U (44)	400	400	1,8	20	Szary	19-0153S
								Czarny	19-0153C
1U Shelf, depth: 450 mm	YES	483	1U (44)	450	500	2,7	25	Szary	19-0047S
								Czarny	19-0047C
1U Shelf, depth: 500 mm	YES	483	1U (44)	500	550	2,9	25	Szary	19-0157S
								Czarny	19-0157C
1U Shelf, depth: 550 mm	YES	483	1U (44)	550	600	3,0	25	Szary	19-0143S
								Czarny	19-0143C
1U Shelf, depth: 600 mm	YES	483	1U (44)	600	650	3,6	25	Szary	19-0048S
								Czarny	19-0048S
1U Shelf, depth: 650 mm	YES	483	1U (44)	650	700	4,0	35	Szary	19-0144S
								Czarny	19-0144C
1U Shelf, depth: 750 mm	YES	483	1U (44)	750	800	4,8	35	Szary	19-0145S
								Czarny	19-0145C



19" 2U Shelves (internal width. 444mm)

Product name	Dimensions (mm)			Weight (kg)	Load capacity (kg)	Colour	Product code
	width	height	depth				
19" 2U Shelf 250 mm in depth	483	1U (44)	250	1,8	25	Grey/Black	19-0049/S/C
19" 2U Shelf 250 mm in depth	483	1U (44)	450	2,9		Grey/Black	19-0050/S/C

2U & 1U heavy-duty shelves



1U - 19" extendible shelf, tool-less (universal)

Fast tool-less installation on RACK beams

Product name	Dimensions (mm)			Weight (kg)	Capacity (kg)	Colour	Product code
	width	height	depth				
1U - 19" extendible shelf, tool-less (universal)	465	1U (44)	675-1140	5,2	80	Grey	19-0110S
						Black	19-0110C

1U Heavy-duty shelf



Product name	Dimensions (mm)			Weight (kg)	Load capacity (kg)	Colour	Product code
	width	height	depth				
1U shelf, depth 400mm + 200 mm adjustment, 4-point assembly	483	1U (44)	400	3,2	85	Grey	19-0051S
						Black	19-0051C
1U shelf, depth 600mm + 200 mm adjustment, 4-point assembly	483	1U (44)	600	4,3	85	Grey	19-0052S
						Black	19-0052C
1U shelf, depth 800mm + 200 mm adjustment, 4-point assembly	483	1U (44)	800	5,5	85	Grey	19-0053S
						Black	19-0053C

1U 4-point, slide cabinet shelf

Slide 19" cabinets shelf 4-point mounting (4 rack beams)

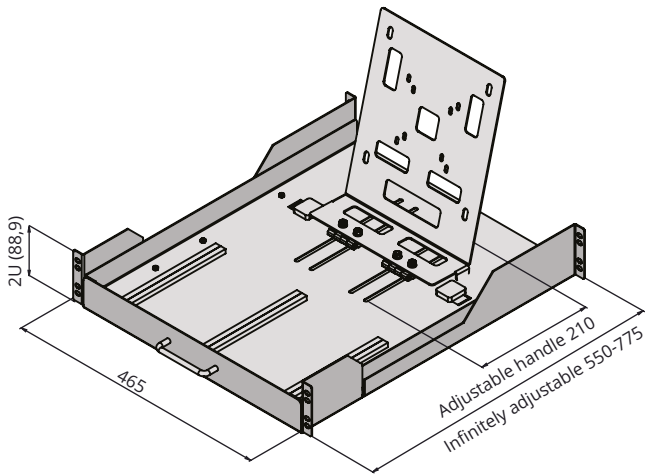
Made of 1,2 mm sheet steel DC01



Product name	Dimensions (mm)			Weight (kg)	Load capacity (kg)	Colour	Product Code
	width	height	depth				
Slide 1U shelf - 250mm +/- 200mm adjustment	483	1U (44)	250	2,9	50	Grey	19-0054S
						Black	19-0054C
Slide 1U shelf -400mm +/- 200mm adjustment	483	1U (44)	400	4,1	50	Grey	19-0055S
						Black	19-0055C
Slide 1U shelf - 600mm +/- 200mm adjustment	483	1U (44)	600	5,5	50	Grey	19-0056S
						Black	19-0056C

ACCESSORIES

keyboard panels, rack drawers, heavy rails



Slide monitor bracket for 19 "cabinets

Universal monitor mount (Vesa 75 / Vesa 100 / Vesa 200) slided inside with the monitor.

Product name	Dimensions (mm)			Product code
	width	height	depth	
Slide monitor bracket for 19 "cabinets universal	465	2U (88,9)	550-775	19-0258

Keyboard panel



Rack drawer

Lockable drawer used to store documents and all other valuable accessories inside the cabinet.



Product name	Dimensions (mm)			Colour	Product code
	width	height	depth		
2U keyboard panel	483	2U (88)	400	Grey	19-0057S
				Black	19-0057C

Product name	Dimensions (mm)			Colour	Product code
	width	height	depth		
2U Rack drawer with a lock	483	2U (88)	400	Grey	19-0058S
				Black	19-0058C

Hardware cabinet rail - "Heavy" type

Adjustable, high-capacity hardware rail. Used for mounting heavy devices such as UPSs or servers. Stepless depth adjustment from 500 to 940 mm. Galvanized surface

The RACK rail can be mounted on the sides

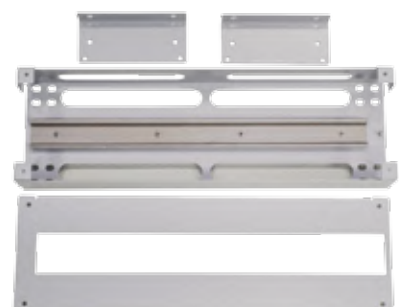
Product name	Dimensions (mm)			Load capacity	Product code
	width	height	depth		
"Heavy" cabinet rail	60	2U (88)	595-1090	80 kg	19-0059
"Heavy" cabinet rail short version	60	2U (88)	250-450	80 kg	19-0059S



Voltage distribution panel 22x5



Product name	Dimensions (mm)			Colour	Product code
	width	height	depth		
3U Voltage distribution panel (TH35 rail included)	483	3U (132,5)	77	Grey	19-0060S
				Black	19-0060C



universal panels, blanking panels,
brush panels etc

ACCESSORIES

1U Universal panel

Universal 1U panel for any equipment.
The front and rear parts are removable. Rack holders included.



Product name	Dimensions (mm)			Colour	Product code
	width	height	depth		
Universal panel 1U x 300	483	1U (44)	310	Grey	19-0061S
				Black	19-0061C

Blanking panel



Product name	Dimensions (mm)			Colour	Product code
	width	height	depth		
1U Blanking panel	483	1U (44)	9	Grey	19-0062S
				Black	19-0062C
2U Blanking panel	483	2U (88)	9	Grey	19-0063S
				Black	19-0063C
3U Blanking panel	483	3U (132,5)	9	Grey	19-0064S
				Black	19-0064C

Blanking panel



Product name	Dimensions (mm)			Colour	Product Code
	width	height	depth		
Panel zaślepiający beznarzędziowy 1U	483	1U (44)	9	Grey	19-0151S
				Black	19-0151C

Brush panel 19 "



Product name	Dimensions (mm)			Colour	Product code
	width	height	depth		
1U Brush panel	483	1U (44)	9	Grey	19-0065S
				Black	19-0065C

Single fan unit

The fan unit fits into the SIMPLE, SIDE-O, SIDE-O-D type cabinets, SWK, SWK-D and RS 8000 vents. Assembly screws included.



Product name	Airflow	Bearing type	Certificates	Lenght	Temperature adjustment range	Noise level	Power	Product code
120x120 Fan + cable	165 m ³ /h	ball bearing	UL, CE, VDE	1 m	-----	44 dB	22 W	19-0066
120x120 Fan + cable + thermostat	165 m ³ /h	ball bearing	UL, CE, VDE	1 m	10-60°C	44 dB	22 W	19-0067

Fan tray

Fan tray with standard brackets for fixing on 19" rails. Fan trays fits all Sabaj cabinets of the appropriate sizes. With ceiling-floor bracket and filter pad can be used as a roof or floor fan in all types of ACE and BETA floor standing cabinets



Product name	Dimensions(mm)			Power consumption	Cable lenght	Switch / fuse	Fan efficiency	Colour	Product code	Thermostat adjustment range	Number of brackets 19-0047 needed for installation in the roof
	width	height	depth								
Fan tray 2W + cable	483	1U (44)	180	50W	2 m		2 x 163 m ³ /h	Grey	19-0068S	-----	1 pair
Fan tray 2W + cable + thermostat								Black	19-0068C	0-60°C	
Fan tray 4W + cable	483	1U (44)	360	100W	2m	Tak	4 x 163 m ³ /h	Grey	19-0069S	0-60°C	1 pair
Fan tray 4W + cable + thermostat								Black	19-0069C		
Fan tray 6W + 3m cable	483	1U (44)	540	150W	3m		6 x 163 m ³ /h	Grey	19-0070S	-----	2 pairs
Fan tray 6W + 3m cable + thermostat								Black	19-0070C		
								Grey	19-0071S	0-60°C	2 pairs
								Black	19-0071C		
								Grey	19-0072S	-----	2 pairs
								Black	19-0072C		
								Grey	19-0073S	0-60°C	2 pairs
								Black	19-0073C		

Panel for cabinets with a th rail

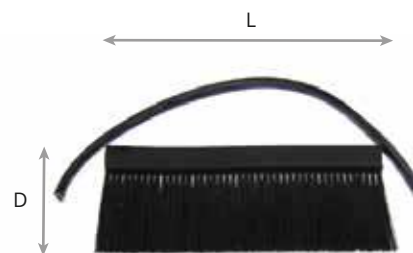
Note - the panel is not suitable for medium and high voltage installations



Product name	Width (mm)	Height	Depth	Number of possible "S" modules	Colour	Product code
19" panel with TH rail	483	1U	14 mm	22	Black	19-0160C
					Grey	19-0160S

Cable Management Brush

Cable management brush + rubber profile to protect the cable from sharp edges.
Fits into the holes in the SIMPLE, SWK, SIDE-O series cabinets



Product name	Length - L	Length of edge seal	Length - D	Product code
Cable management brush + edge seal (dedicated for wall hanging cabinets)	192 mm	350 mm	60 mm	19-0077
Brush cable management (Dedicated for ACE & BETA-LIGHT floor-standing cabinets)	2 x 300mm	-----	60 mm	19-0134

Two-sided velcro fastener

Two-sided velcro fastener in rolls of 5m.
Ideal for wrapping cable bundles for better organization



Product name	Length	Width	Type	Colour	Product code
19 mm velcro fastener for cables and wires	5 m	20 mm	Hook + loop	Black	RZP-5-C
				Red	RZP-5-CZE
				Blue	RZP-5-N
				Green	RZP-5-Z

Cable ties

Cable ties in various lengths and colors, excellent to keep the wiring in place.



Product name	Colour	Product code
Cable ties 200 x 2,5 (100pcs)	White	19-0082B
	Black	19-0082C
Cable ties 250 x 3,6 (100pcs)	White	19-0083B
	Black	19-0083C
Cable ties 100x 2,5 (100pcs)	Blue	19-0084N
	Red	19-0084CZE
	Green	19-0084Z
	Yellow	19-0084Ž
Cable ties 200 x 3,6 (100pcs)	Blue	19-0085N
	Red	19-0085CZE
	Green	19-0085Z
	Yellow	19-0085Ž

ACCESSORIES

crimps, punch down tools, mounting screws, RJ45 connectors & covers

Crimp

A tool for squizing RJ45, RJ11, RJ12, RJ9 plugs. Quickly and efficiently tightens contacts with cables. The device has a knife for cutting the cables and insulation removal. The insulation puller is included



Product name	Product code
Crimp RJ45, RJ12, RJ11	19-0089

Punch down tool

A simple mechanical punch down tool for LSA connectors. Include a knife that can be used to cut off the excess cable.



Product name	Product code
Punch down tool	19-0090

Rack mounting screws

Assembly set include: M6 screw, plastic washer and M6 cap nut.



Product name	Screw lenght	Cup nut dimentions	Product code
Rack mounting screws (100pcs)	16 mm	10 x 10 mm	SR-100



RJ45 Connectors

Product name	Connector type	Contacts	Product code
RJ45 Connectors Cat5e 8p8c way 50 pcs.	8p8c	copper	19-0019
RJ45 Connectors Cat6 cable mount FTP 50 pcs.		gold-plated	19-0020
RJ45 Connectors Cat6 cable mount UTP 50 pcs.		gold-plated	19-0021

RJ45 plug covers

RJ45 plug covers in various colours - 50 pieces. Made of soft PVC.



Product name	Colour	Product code
Plug cover RJ 45 (50 pieces)	Black	19-0022C
	Red	19-0022CZE
	Blue	19-0022N
	Grey	19-0022S
	Green	19-0022Z
	Yellow	19-0022Ž

Fiber-optic splicing boxes



Fiber-optic splicing box 19" 1U

Product name	Dimensions (mm)			Product Code
	width	height	depth	
Fiber-optic splicing box Simple 19" 1U - 12xST - not equipped - grey	483	1U (44)	200	19-0092S
Fiber-optic splicing box Simple 19" 1U - 24xST - not equipped - grey				19-0093S
Fiber-optic splicing box Simple 19" 1U - 12xSC - simplex - not equipped - grey				19-0094S
Fiber-optic splicing box Simple 19" 1U - 24xSC simplex - not equipped - grey				19-0095S
Fiber-optic splicing box Simple 19" 1U - 12xSC duplex - not equipped - grey				19-0096S
Fiber-optic splicing box Simple 19" 1U - 24xSC duplex - not equipped - grey				19-0097S



Fiber-optic splicing box with telescopic pull-out 1U

Fiber optic splicing box for users looking for the highest quality, security lock on the front provides protection from unauthorized access. Telescopic pull-out provides easy access to the inside.

Product name	Dimensions (mm)			Colour	Product Code
	width	height	depth		
19" 1U Fiber-optic splicing box with telescopic pull-out 24xST (FC) - non equipped	483	1U (44)	200	Grey	19-0098S
				Black	19-0098C
19" 1U Fiber-optic splicing box with telescopic pull-out 24xSC Simplex - non equipped				Grey	19-0099S
				Black	19-0099C
19" 1U Fiber-optic splicing box with telescopic pull-out 12xSC Duplex - non equipped				Grey	19-0100S
				Black	19-0100C
19" 1U Fiber-optic splicing box with telescopic pull-out + patch cords - non equipped	Grey	19-0101S			
	Black	19-0101C			



Modular fiber-optic splicing box 19" 3U

Product name	Number of slots	Dimensions (mm)			Colour	Product Code
		width	height	depth		
Modular fiber-optic splicing box 19" 3U	12	483	3U (132,5)	260	Grey	19-0118S
					Black	19-0118C



Splicing cassettes for fiber-optic splicing box

Product name	Dimensions (mm)			Colour	Product code
	width	height	depth		
Splicing cassette 12xST - non equipped	35,6	126	256	Grey	19-0119S
				Black	19-0119C
Splicing cassette 6xSC simplex - non equipped				Grey	19-0120S
				Black	19-0120C
Splicing cassette 12xSC simplex - non equipped				Grey	19-0121S
				Black	19-0121C



Cable splitter

Product name	Dimensions (mm)			Colour	Product Code
	width	height	depth		
Cable splitter	94	35	155	Grey	19-0122S
				Black	19-0122C



TH Rail mounted DIN distributor

Product name	Dimensions (mm)			Colour	Product code
	width	height	depth		
DIN distributor 12xST	483	3U (132,5)	260	Grey	19-0123S
				Black	19-0123C
DIN distributor 6xSC simplex				Grey	19-0124S
DIN distributor 6xST simplex				Black	19-0124C
DIN distributor 12xSC/APC simplex				Grey	19-1125S

wall mounted distribution frames, surplus cable holder case

ACCESSORIES

Distribution frame FTTH mini
12x SC non equipped + panel



1K - One-compartment distribution
frame 6xSC/ST - non equipped



2K - two-compartment distribution frame
48xST/SC non equippe

Wall mounted distribution frames

Product name	Dimensions (mm)			Colour	Product code
	width	height	depth		
1K - One-compartment distribution frame 6xSC duplex - non equipped	135	57	260	Grey	19-0125S
				Black	19-0125C
2K - two-compartment distribution frame - 24xST - non equipped	343	72	245	Grey	19-0126S
				Black	19-0126C
2K - two-compartment distribution frame - 24xSC simplex - non equipped	343	72	245	Grey	19-0127S
				Black	19-0127C
2K - two-compartment distribution frame - 48xST - non equipped	445	88	443	Grey	19-0128S
				Black	19-0128C
2K - two-compartment distribution frame - 48xSC simplex - non equipped	445	88	443	Grey	19-0555S
				Black	19-0555C
Distribution frame FTTH mini 12x SC - non equipped	261	70	230	Grey	FTTH-MINI BW
Distribution panel 12x SC duplex dedicated for FTTH mini				Grey	PR 12SC-DUPLEX FTTH MINI
Distribution panel 12x SC simplex dedicated for FTTH mini				Grey	PR 12SC-SIMPLEX FTTH MINI



Surplus cable holder case

Product name	Dimensions (mm)			Colour	Product code
	height	width	depth		
Surplus cable holder case 600x600	610	610	122	Grey	19-0130S
				Black	19-0130C
Surplus cable holder case 400x400	410	410	122	Grey	19-0146S
				Black	19-0146C

Adjustable



Immovable



Surplus cable holder
assembly screws included

Product name	Dimensions (mm)			Colour	Product code
	width	height	depth		
Surplus cable holder 400x400 - immovable	400	400	120	Grey	19-0149S
				Black	19-0149C
Surplus cable holder 400x400 - adjustment up to 700x700	400	400	120	Grey	19-0129S
				Black	19-0129C
Surplus cable holder 600 x 600 - immovable	600	600	120	Grey	19-0152S
				Black	19-0152C



Fibre optic splice cassette

Fibre Optic Splice Cassette, Fibre-optic cable holder

Product name	Product code
Fibre Optic 24 Splice Cassette	19-0116
Fibre Optic 12 Splice Cassette	19-0117

19" standing cabinets accessories

Application:

Accessories that are applicable in all 19" standing cabinets produced by Sabaj. The accessories are compatible for cabinets of adequate width and depth. Matches Bela-L, ACE and WR cabinets.

Product	Dimensions (mm)			Colour		Product code
	width	height	depth	RAL 7035 (Gray)	RAL 9005 (Black)	
	W	H	D	S	C	
PLINTH	600	100	600	✓		COK-10-66-S
					✓	COK-10-66-C
			800	✓		COK-10-68-S
					✓	COK-10-68-C
			1000	✓		COK-10-610-S
					✓	COK-10-610-C
	800		800	✓		COK-10-88-S
					✓	COK-10-88-C
			1000	✓		COK-10-810-S
					✓	COK-10-810-C
			1200	✓		COK-10-812-S
					✓	COK-10-812-C



Plinth

Number of modules shown on the profile

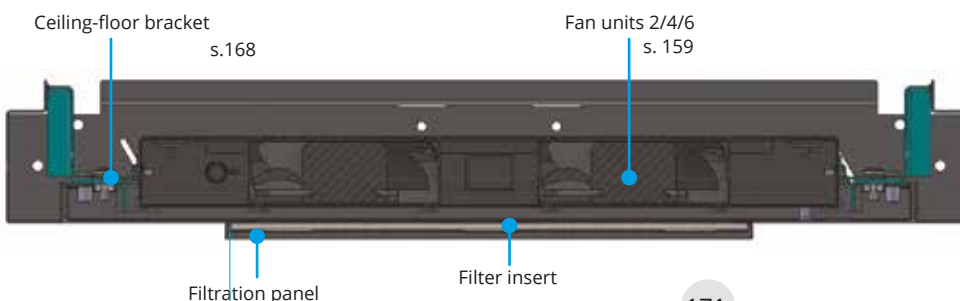
Product	Product code	
Casters	19-0131	
Casters with brake	19-0132	
Filtration panel	Grey	19-0133S
	Black	19-0133C
Brush cable management (roof-floor)	19-0134	
Mounting profile 19" 24U - 1pc	19-0031	
Mounting profile 19" 32U - 1pc	19-0032	
Mounting profile 19" 42U - 1pc	19-0033	
Mounting profile 19" 45U - 1pc	19-0034	
Mounting profile 19" 47U - 1pc	19-047U	
Baying connector 19"/ baying kit for 800mm cabinets	19-0139	
Baying connector 19"/ baying kit for 600mm cabinets	19-0141	
Filtration panel	Grey	19-0133S
	Black	19-0133C



Mounting profile 19"



Panel Filter
(all necessary mounting accessories included)



Brush cable management (roof-floor)



Casters with brake

Plinth with built-in counterweight

Product	Dimensions (mm)			Colour	Product code
	width	height	depth		
	W	H	D		
Plinth with built-in counterweight	600	100	1000	Black RAL 9005	TILT-6X10-10
	800		800	Black RAL 9005	TILT-8X8-10
	800		1000	Black RAL 9005	TILT-8-10-10
	800		1200	Black RAL 9005	TILT-8-12-10
	800	200	1200	Black RAL 9005	TILT-8-12-20

Plinth with built-in counterweight



Vertical cable clamp rail (only for 800mm wide cabinets)



Product name	Colour		Product code
	RAL 7035 (gray)	RAL 9005 (black)	
	S	C	
Vertical cable clamp rail 42U	✓		19-4280S
		✓	19-4280C
Vertical cable clamp rail 45U	✓		19-4580S
		✓	19-4580C
Vertical cable clamp rail 47U	✓		19-4780S
		✓	19-4780C



side covers for ACE 19" cabinets

Side covers (2pcs) for 19" ACE cabinets perforated

Code	Height of the cabinet	Depth of the cabinet (mm)	Colour	
			RAL9005	RAL7035
ACE19-24U-X08-OBO-C-KPL	24U	800 mm	✓	
ACE19-24U-X08-OBO-S-KPL	24U	800 mm		✓
ACE19-24U-X10-OBO-C-KPL	24U	1000 mm	✓	
ACE19-24U-X10-OBO-S-KPL	24U	1000 mm		✓
ACE19-24U-X12-OBO-C-KPL	24U	1200 mm	✓	
ACE19-24U-X12-OBO-S-KPL	24U	1200 mm		✓
ACE19-32U-X08-OBO-C-KPL	32U	800 mm	✓	
ACE19-32U-X08-OBO-S-KPL	32U	800 mm		✓
ACE19-32U-X10-OBO-C-KPL	32U	1000 mm	✓	
ACE19-32U-X10-OBO-S-KPL	32U	1000 mm		✓
ACE19-32U-X12-OBO-C-KPL	32U	1200 mm	✓	
ACE19-32U-X12-OBO-S-KPL	32U	1200 mm		✓
ACE19-42U-X08-OBO-C-KPL	42U	800 mm	✓	
ACE19-42U-X08-OBO-S-KPL	42U	800 mm		✓
ACE19-42U-X10-OBO-C-KPL	42U	1000 mm	✓	
ACE19-42U-X10-OBO-S-KPL	42U	1000 mm		✓
ACE19-42U-X12-OBO-C-KPL	42U	1200 mm	✓	
ACE19-42U-X12-OBO-S-KPL	42U	1200 mm		✓
ACE19-45U-X08-OBO-C-KPL	45U	800 mm	✓	
ACE19-45U-X08-OBO-S-KPL	45U	800 mm		✓
ACE19-45U-X10-OBO-C-KPL	45U	1000 mm	✓	
ACE19-45U-X10-OBO-S-KPL	45U	1000 mm		✓
ACE19-45U-X12-OBO-C-KPL	45U	1200 mm	✓	
ACE19-45U-X12-OBO-S-KPL	45U	1200 mm		✓
ACE19-47U-X08-OBO-C-KPL	47U	800 mm	✓	
ACE19-47U-X08-OBO-S-KPL	47U	800 mm		✓
ACE19-47U-X10-OBO-C-KPL	47U	1000 mm	✓	
ACE19-47U-X10-OBO-S-KPL	47U	1000 mm		✓
ACE19-47U-X12-OBO-C-KPL	47U	1200 mm	✓	
ACE19-47U-X12-OBO-S-KPL	47U	1200 mm		✓



Available colours:



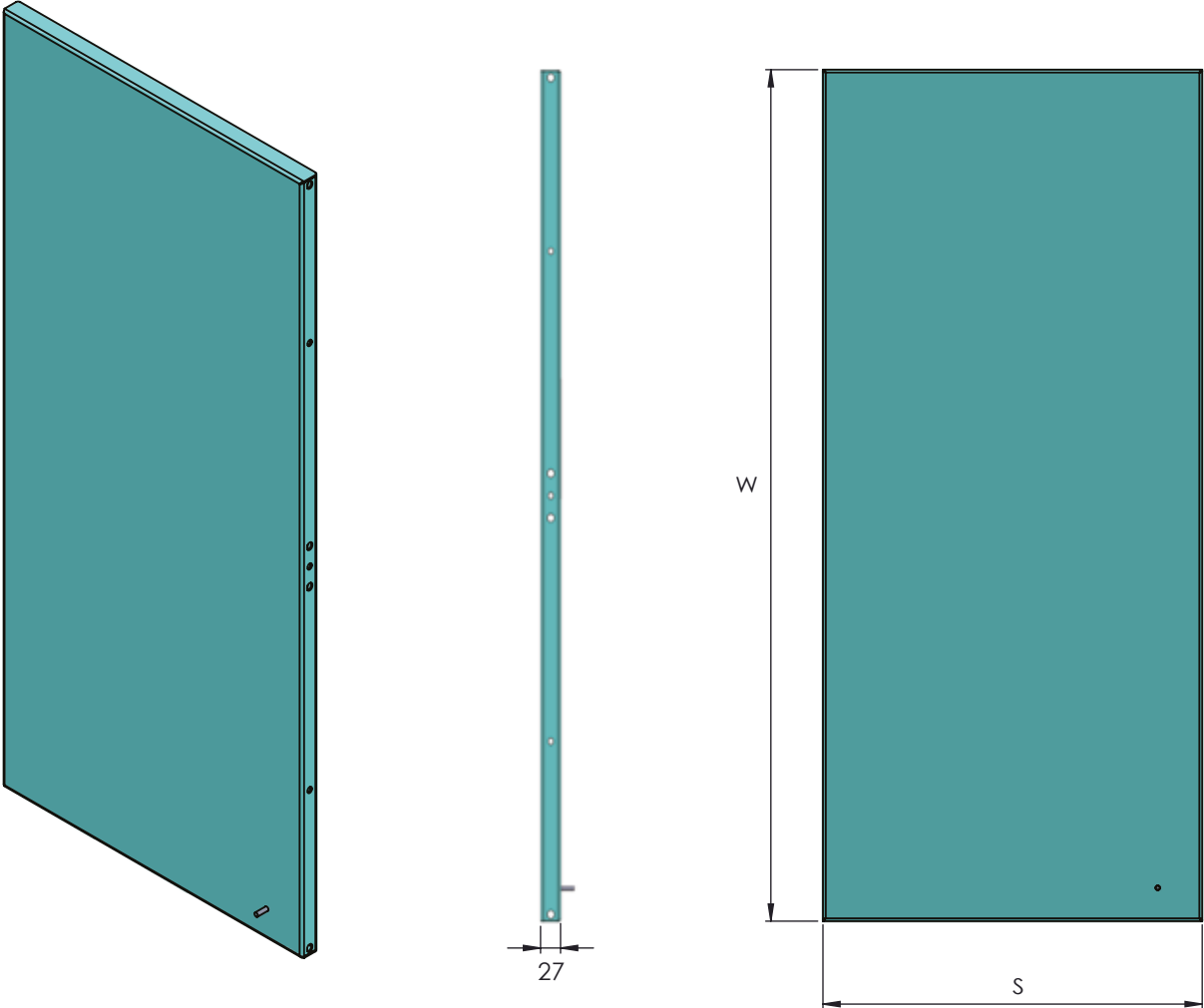
RAL 9005



RAL 7035

ACCESSORIES

19" mounting plates for ACE / BETAL / WR cabinets



19" mounting plate for ACE / BETAL / WR cabinets		
Dimensions (mm)		Product code
width	height	
W	H	
512	1150	19-PM24U
	1506	19-PM32U
	1776	19-PM38U
	1950	19-PM42U
	2084	19-PM45U
	2173	19-PM47U

combination locks and accessories



Service key for combination locks



Locks are ordered in the form of additional payment to standard ACE / BETA LIGHT cabinets

Product name	Power	Product code
Combination lock for ACE cabinet doors with an RFID scanner	battery	19-ZSACE-KC
Combination lock for ACE cabinet doors with an RFID scanner	battery	19-ZSACE-KRT
Combination lock for BETAL cabinets	battery	19-ZSBETAL-KL
Combination lock for BETAL cabinets with an RFID scanner	battery	19-ZSBETAL-KRT
MASTER card for RFID lock		19-ZS-KMASTER
RFID card for RFID lock		19-ZS-KRFID
Service key for combination locks		19-ZS-KSERW



An obligatory element in selected models

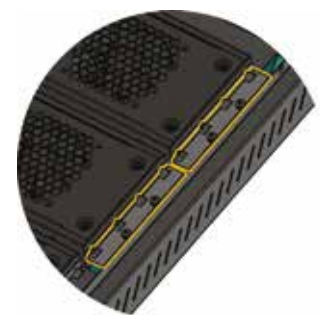
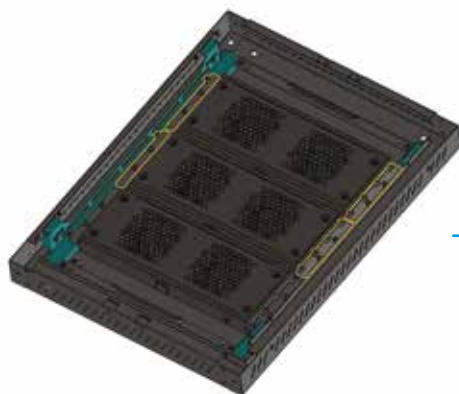
UPS Rack

Product name	Rating	Reserve Time (80% load)	AVR	Communication interface	Telephone line protection	Height	Warranty	Battery module	Product Code
Ares 500 Rack	500VA (300W)	2,5 min	yes	yes	yes	2U	2 years	included	19-UPS-500
Ares 1000 Rack	1000VA (600W)	4 min	yes	yes	yes	2U	2 years	included	19-UPS-1000
Ares 1600 Rack	1600VA (960W)	9 min	yes	yes	yes	3U	2 years	optionally	19-UPS-1600
Ares 3000 Rack	3000VA (1800W)	12 min	yes	yes	yes	3U	2 years	optionally	19-UPS-3000



Battery module

Product name	Product code	Total capacity	Number of batteries	Battery type	Battery manufacturer	Built-in charger	Device status indication	Height	Warranty
Battery module MB4814 Rack	19MB-48V-14A	14Ah	8	7Ah 12V	CSB	yes	yes (LED indicator)	3U	2 years




Ceiling-floor bracket

Ceiling-floor brackets adapted to offered fan units.
Fits ACE and Beta cabinets.

Product name	Colour	Product code
Ceiling-floor bracket - set	Grey	19-0074S
	Black	19-0074C



Available colours:  RAL 7035


On the inside


On the outside

Application:

Cooling units from our offer match all Sabaj floor-standing cabinets and wall-mounted cabinets (in case of smaller cooling capacities). Thanks to special gaskets the inside of the cabinet has high degree of IP protection. Metal covers and replaceable filters are available as an option - on request.

Technical characteristics:

- temperature regulation with use of an electric thermostat
- power supply: 230 V / 50 Hz
- degree of protection on the outside: IP 34
- degree of protection on the internal side: IP 56
- temperature range: 17-50°C

Product name	Dimensions (mm)			Cooling power [W]	Product code
	width	height	depth		
Cooling unit for roof mounting, cooling power 1100W, for Indoor use	401	415	572	1100	RS-KLMD-1100-W
Cooling unit for roof mounting, cooling power 2000W, for Indoor use	401	415	572	2000	RS-KLMD-2000-W
Cooling unit for roof mounting, cooling power 400W, for Indoor use	259	260	481	400	RS-KLMD-400-W
Cooling unit for side walls and door mounting, Cooling power 1600W, for Indoor use	405	999	237	1600	RS-KLM-1600-W
Cooling unit for side walls and door mounting, Cooling power 2000W, for Indoor use	405	999	237	2000	RS-KLM-2000-W
Cooling unit for side walls and door mounting, Cooling power 380W, for Indoor use	285	460	180	380	RS-KLM-380-W
Cooling unit for side walls and door mounting, Cooling power 640W, for Indoor use	316	606	212	640	RS-KLM-640-W



RS-KLM-100-PLT



RS-KLM-800-PLT

Application:

The devices offered by Sabaj are delivered with 24V DC / 230V AC power supply, bimetallic thermostat and instruction manual. Thanks to the thermostat you can both heat and cool the inside of the cabinet. High IP protection degree is a big advantage that can compensate higher cost of the device and its lower cooling power.

Technical characteristics:

- temperature regulation with use of bimetallic thermostat
- power: 230 V / 50 Hz (with power supply)
- temperature range: -20-50°C

Available colours:  RAL 7035  INOX

Product name	Dimensions (mm)			Power [W]	IP protection degree		Product code
	width	height	depth		inside	outside	
Thermoelectric device based on the thermoelectric cooling (TEC) with 230V power supply. Heating/cooling power 100W	320	188	166	100	IP 56	IP 56	RS-KLM-100-PLT
Thermoelectric device based on the thermoelectric cooling (TEC) with 230V power supply. Heating/cooling power 200W	320	188	310	200	IP 56	IP 56	RS-KLM-200-PLT
Thermoelectric device based on the thermoelectric cooling (TEC) with 230V power supply. Heating/cooling power 800W	972	514	227	800	IP 56	IP 66	RS-KLM-800-PLT



Sabaj System Sp. z o.o.

30-841 Cracow, 15 Domagały Street

tel. +48 12 653 53 85; fax: +48 12 653 53 82

e-mail: dok@sabaj.pl, biuro@sabaj.pl, marketing@sabaj.pl

www.sabajgroup.com

www.sabaj.pl

Edition I 2019





Sabaj System Sp. z o.o.

30-841 Cracow, 15 Domagały Street

tel. +48 12 653 53 85; fax: +48 12 653 53 82

e-mail: dok@sabaj.pl, biuro@sabaj.pl, marketing@sabaj.pl

www.sabajgroup.com

www.sabaj.pl

Edition I 2019